

# Encoder Guide



**ITT**

ENGINEERED FOR LIFE

# ENCODER GUIDE - ROTARY INCREMENTAL

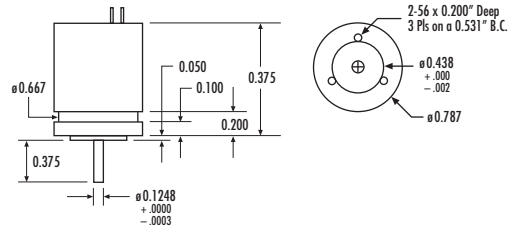
At Torque Systems, we offer a wide selection of Rotary Incremental Encoders, providing you numerous solutions for a wide range of position and control application requirements.

The following encoder list includes our most current DataTorque™ Encoder Family. Each encoder display provides a brief capsule of capabilities as well as package dimensions.

## DataTorque™ SM7



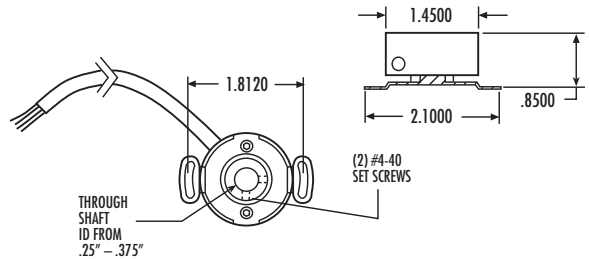
- SM7 Hollow Shaft
- Resolution to 2048CPR
- Input Voltage 5 to 26VDC
- Output A, B & Z
- Option of Line Driver
- Frequency 200KHz
- Miniature precision



## DataTorque™ HS15



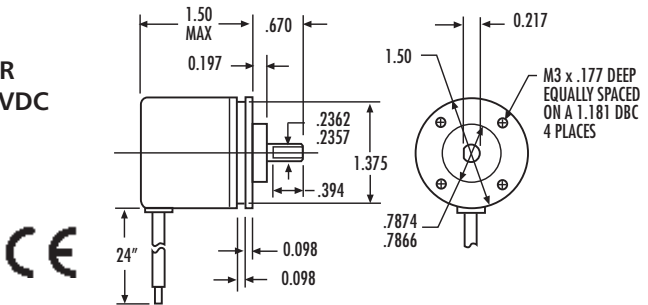
- HS15 Hollow Shaft
- Resolution to 5000CPR
- Input Voltage 5 to 26VDC
- Output A, B & Z
- Option of Line Driver
- Frequency 500KHz
- Bore 0.25 in. to 10 mm
- Modular alternative



## DataTorque™ SM15



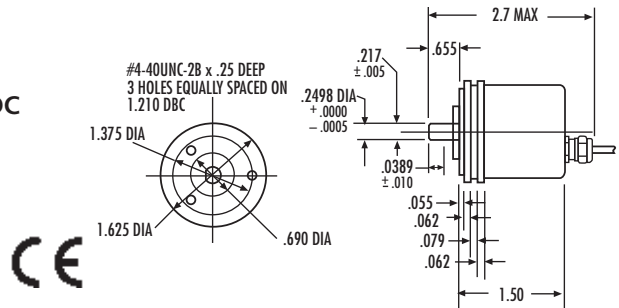
- SM15 Shaft Encoder
- Resolution to 2500CPR
- Input Voltage 5 to 24VDC
- Output A, B & Z
- Option of Line Driver
- Frequency 200KHz
- CE Compliant
- Light Industrial



## DataTorque™ SM16



- SM16 Shaft Encoder
- Resolution to 2500CPR
- Input Voltage 5 to 24VDC
- Output A, B & Z
- Option of Line Driver
- Frequency 200KHz
- Shaft loading 10 lbs.
- CE Compliant
- IP65 Rating



# ENCODER GUIDE - ROTARY INCREMENTAL

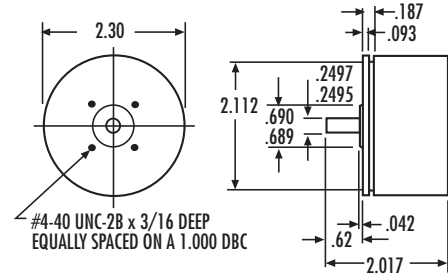
The DataTorque™ Encoder Guide will help you in your selection process by providing a general comparison. Please use it for reference only.

Be sure to consult with one of our Sales & Applications Specialists prior to selecting the exact DataTorque™ Encoder to match your specific application requirements.

## DataTorque™ SM23



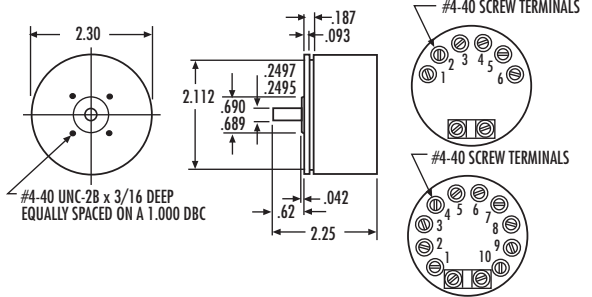
- SM23 Shaft Encoder
- Resolution to 2500CPR
- Input Voltage 5, 12 & 15VDC
- Output A, B & Z
- Option of Line Driver
- Frequency 200KHz
- Shaft Loading 10 lbs.
- Multi-purpose



## DataTorque™ RS23



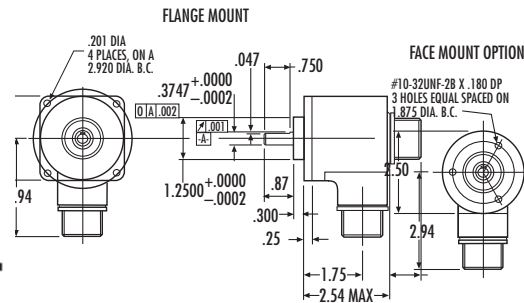
- RS23 Shaft Encoder
- Resolution to 2500 CPR
- Input Voltage 5, 12 & 15VDC
- Output A, B & Z
- Option of Line Driver
- Frequency 200KHz
- CE Compliant
- Instrument Grade



## DataTorque™ DT20



- DT20 Shaft Encoder
- Resolution to 2500CPR
- Input Voltage 5 to 24VDC
- Output A, B & Z
- Option of Line Driver
- Frequency 200KHz
- Shaft Loading to 80 lbs.
- IP65 Rating
- CE Compliant
- Heavy Industrial



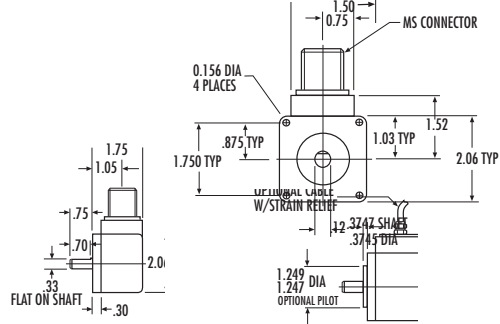
# ENCODER GUIDE - ROTARY INCREMENTAL

For complete details on any one of our DataTorque™ Encoders, please request the specific data sheet or ask to speak with one of our Sales & Application Specialists.

## DataTorque™ DT25



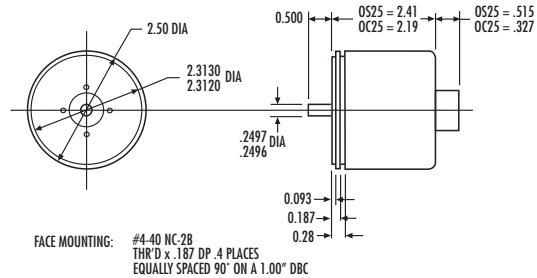
- DT25 Shaft Encoder
- Resolution to 5400CPR
- Input Voltage 5, 12 & 15VDC
- Output A, B & Z
- Option of Line Driver
- Frequency 200KHz
- Servo or Face Mounting
- CE Compliant
- Heavy Industrial



## DataTorque™ OC25/OS25



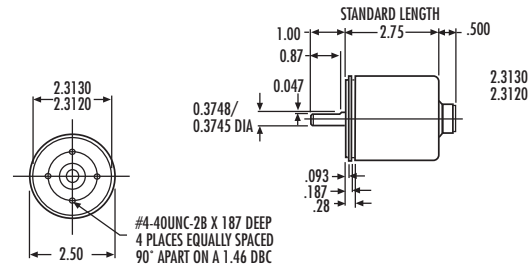
- OC25 or OS25 Shaft Encoder
- Resolution to 5400CPR
- Input Voltage 5, 12 & 15VDC
- Output A, B & Z
- Option of Line Driver
- Frequency 200KHz
- Servo or Face Mounting
- Industrial



## DataTorque™ ON25



- ON25 Shaft Encoder
- Resolution to 5400CPR
- Input Voltage 5, 12 & 15VDC
- Output A, B & Z
- Option of Line Driver
- Frequency 200KHz
- Servo or Face Mounting
- Heavy Industrial



ENGINEERED FOR LIFE

ITT Torque Systems  
6 Enterprise Road  
Billerica, MA 01821  
Tel.: 978-667-5100  
Fax: 978-600-0280  
www.torquesystems.com