

Automation Grade Brushless Servo Motor Platform



Automation Grade Brushless Servo Motor Platform

At SLMTI Torque Systems, we have always believed in giving you more choices. Every application is unique and the product you choose should be just as unique. That's why there's virtually no limit to the motor solutions that we provide our customers. Our line of Automation Grade high value economic series brushless motors, provide you with high power in a small package, smooth low speed operation, rugged construction and reliable operation in any application.

SLMTI Torque Systems offers the following motion control solutions:

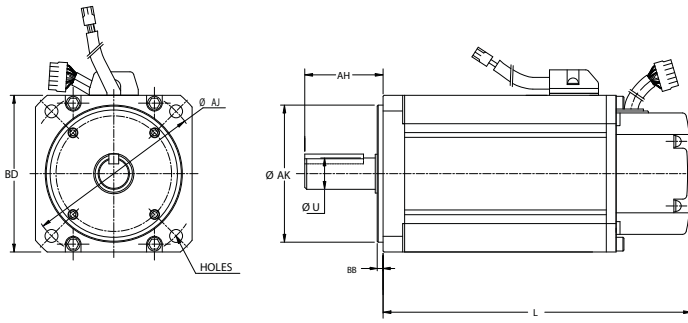
- High Value Economy Series
- Pre-configured Motor Platform
- Standard Flying Cables with Connectors
- IP55 rated
- 40°C Ambient Temperature
- Incremental Encoder with Line Driver
- RoHS and CE Compliant



At SLMTI Torque Systems, we care about environmentally friendly products.

Torque Systems - Automation Grade Brushless Servo Motor Platform

Motor-Encoder Dimensions



Size	Model #	L	BD	AK	AJ	Dia. Holes	AH	**U
40 mm	TS 401M11CH	76	40	30	46	2 x 4.5 mm	25	*8
	TS 402M15CH	83	40	30	46	2 x 4.5 mm	25	*8
	TS 403M18CH	100	40	30	46	2 x 4.5 mm	25	*8
	TS 404M24CH	120	40	30	46	2 x 4.5 mm	25	*8
60 mm	TS 601M19CJ	92	62	50	70	4 X 6.0 mm	30	**14
	TS 602M41CJ	106	62	50	70	4 X 6.0 mm	30	**14
	TS 604M42CJ	135	62	50	70	4 X 6.0 mm	30	**14
80 mm	TS 803M48CJ	118	80	70	90	4 X 6.6 mm	40	**14
	TS 806M50CJ	138	80	70	90	4 X 6.6 mm	40	**16
	TS 808M50CJ	158	80	70	90	4 X 6.6 mm	40	**16
	TS 810M55CJ	178	80	70	90	4 X 6.6 mm	40	**16

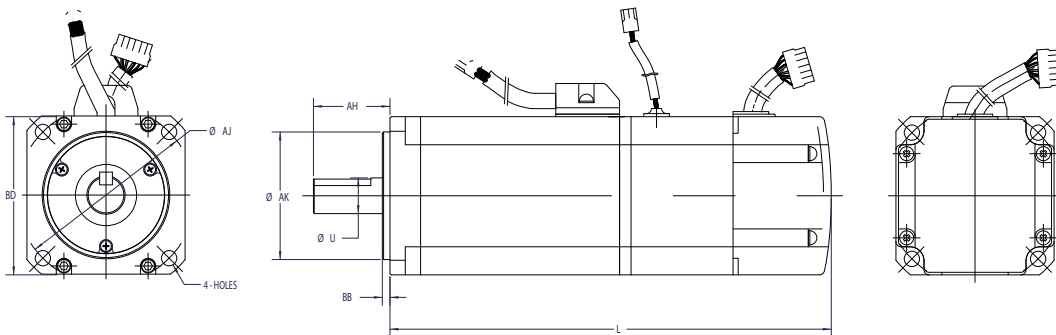
* Round smooth shaft ** Keyed shaft

All dimensions are in mm. Dimensions are for reference only.

Performance Characteristics

Size	Model #	BEMF	Cont Stall Torque		Peak torque		Motor Inertia		Max No Load Speed	Incr. Encoder with Line Driver
		Vp/KRPM	lb.-in.	Nm	lb.-in.	Nm	lb.-in.-sec ²	kg-cm ²	RPM	Line Count Pre-quadrature
40 mm	TS 401M11CH	11	0.89	0.1	2.7	0.3	0.00001452	0.0164	6000	2048
	TS 402M15CH	15	1.42	0.16	4.3	0.48	0.00002124	0.024	6000	2048
	TS 403M18CH	18	2.85	0.32	8.5	0.96	0.00003771	0.0426	6000	2048
	TS 404M24CH	24	4.25	0.48	12.8	1.45	0.00005718	0.0646	6000	2048
60 mm	TS 601M19CJ	19	2.85	0.32	8.5	0.96	0.0001009	0.114	6000	2500
	TS 602M41CJ	41	5.7	0.64	17	1.92	0.0001611	0.182	6000	2500
	TS 604M42CJ	42	11.3	1.27	33.7	3.81	0.0002903	0.328	6000	2500
80 mm	TS 803M48CJ	48	12.7	1.43	38	4.3	0.0005965	0.674	6000	2500
	TS 806M50CJ	50	19	2.15	58	6.5	0.0009665	1.092	6000	2500
	TS 808M50CJ	50	24	2.63	70	7.9	0.0013356	1.509	6000	2500
	TS 810M55CJ	55	28	3.18	85	9.6	0.0017055	1.927	6000	2500

Motor-Encoder-Brake Dimensions



Size	Model #	L	BD	AK	AJ	Dia. Holes	AH	**U	Brake Specifications
40 mm	TS 401MB11CH	113	40	30	46	2 x 4.5 mm	25	*8	12 VDC, 0.25 A, 0.32 Nm
	TS 402MB15CH	120	40	30	46	2 x 4.5 mm	25	*8	
	TS 403MB18CH	137	40	30	46	2 x 4.5 mm	25	*8	
60 mm	TS 601MB19CJ	132	62	50	70	4 X 6.0 mm	30	**14	12 VDC, 0.27 A, 1.47 Nm
	TS 602MB41CJ	146	62	50	70	4 X 6.0 mm	30	**14	
	TS 604MB42CJ	174	62	50	70	4 X 6.0 mm	30	**14	
80 mm	TS 803MB48CJ	159	80	70	90	4 X 6.6 mm	40	**14	12 VDC, 0.38 A, 3.23 Nm
	TS 806MB50CJ	178	80	70	90	4 X 6.6 mm	40	**16	
	TS 808MB50CJ	199	80	70	90	4 X 6.6 mm	40	**16	
	TS 810MB55CJ	219	80	70	90	4 X 6.6 mm	40	**16	

* Round smooth shaft ** Keyed shaft

All dimensions are in mm. Dimensions are for reference only.



SLMTI Torque Systems
6 Enterprise Road
Billerica, MA 01821
Tel: 978.667.5100 or 1.800.669.5112
Fax: 978.600.0280
customer@slmti.com
www.torquesystems.com