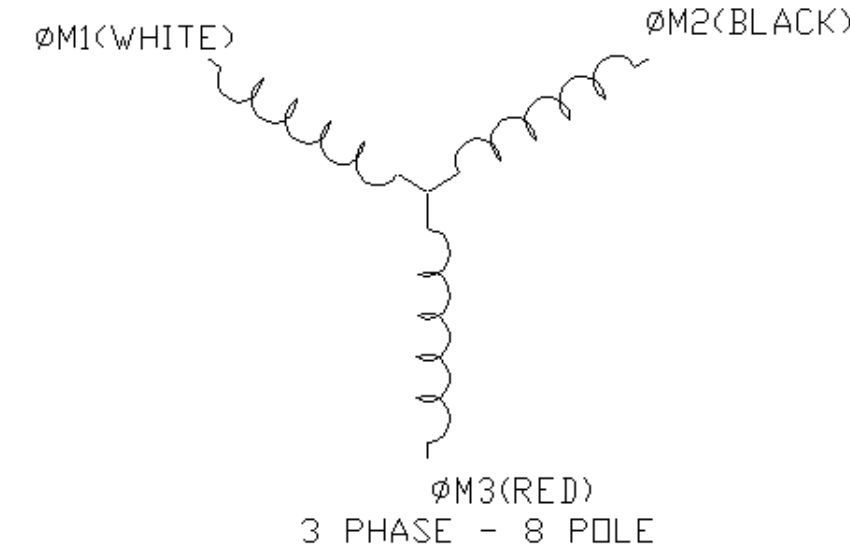
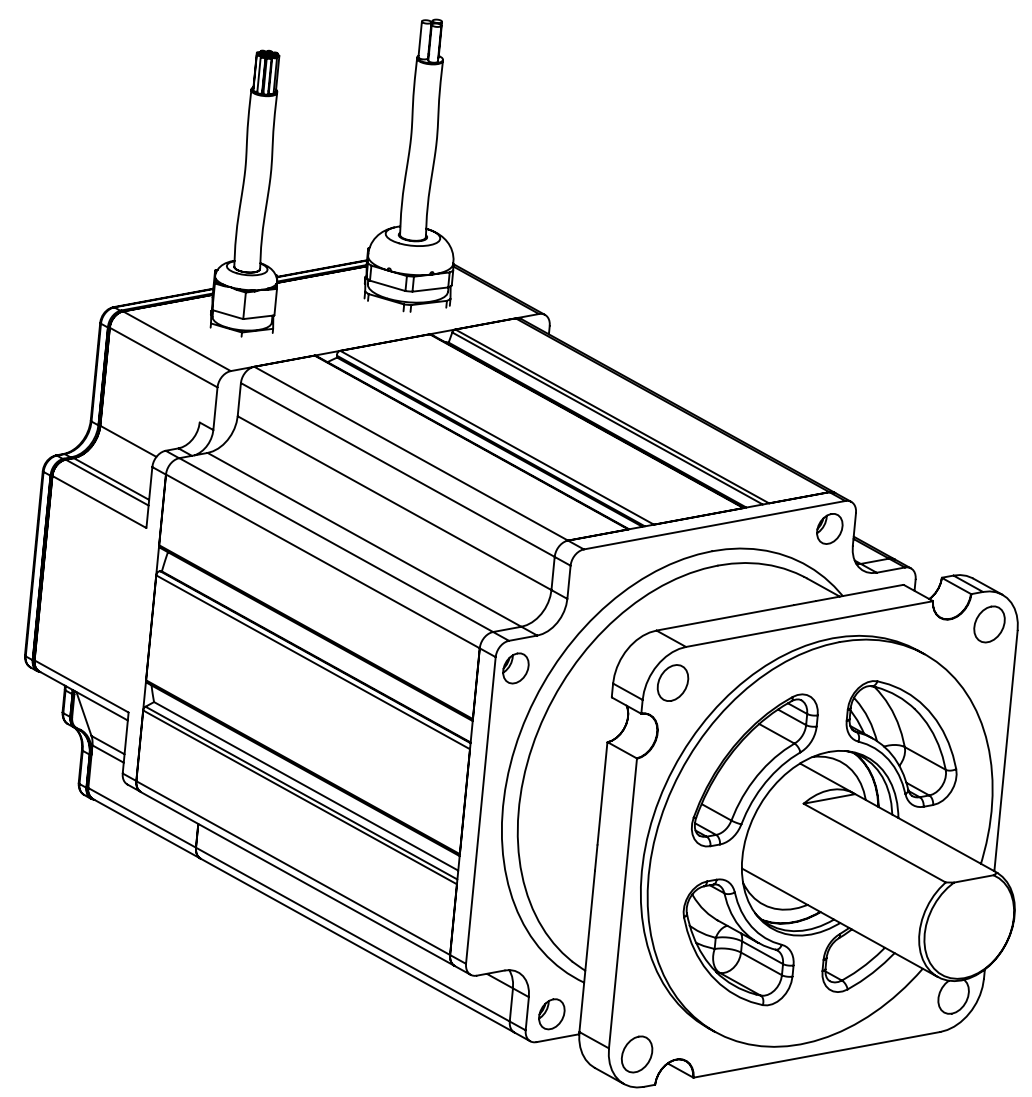
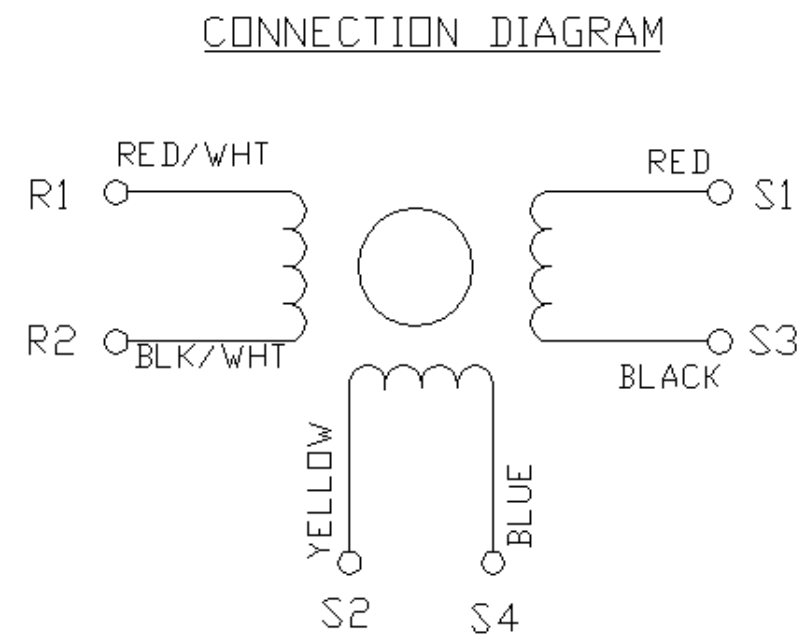
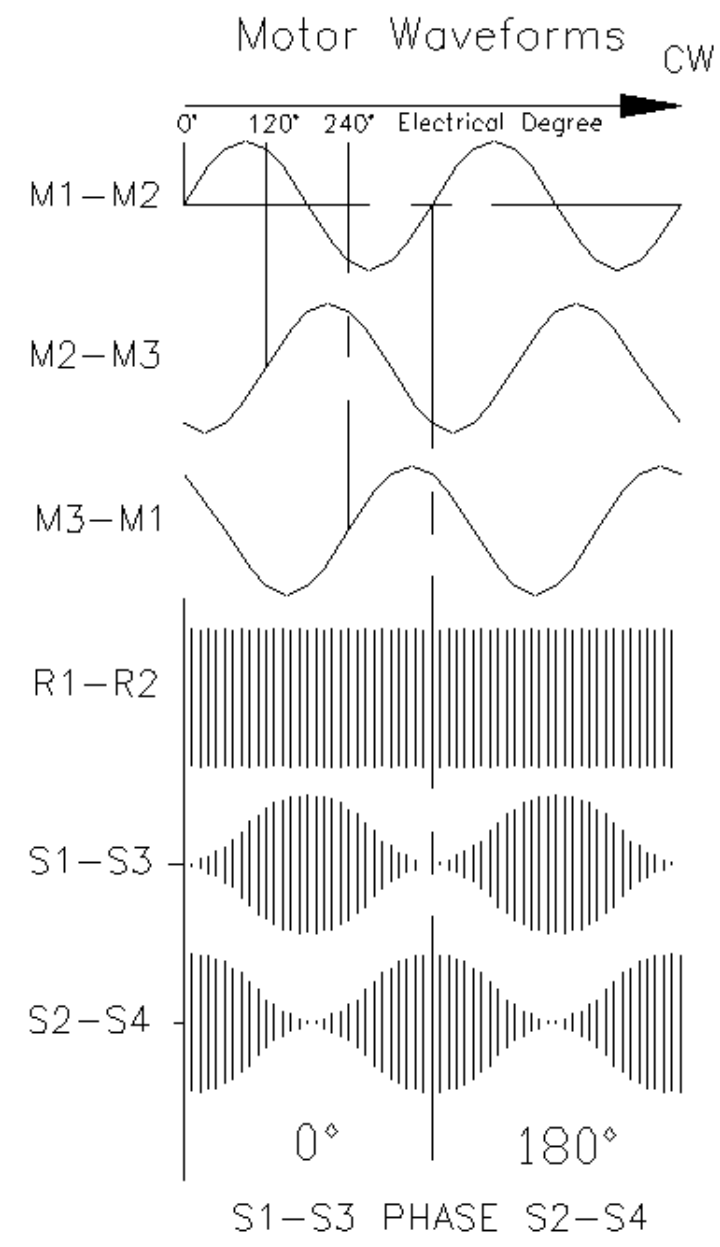


REVISIONS				
REV	ECN	DESCRIPTION	DATE	APP'D
A	DR8902	RELEASED	09/30/08	RAL

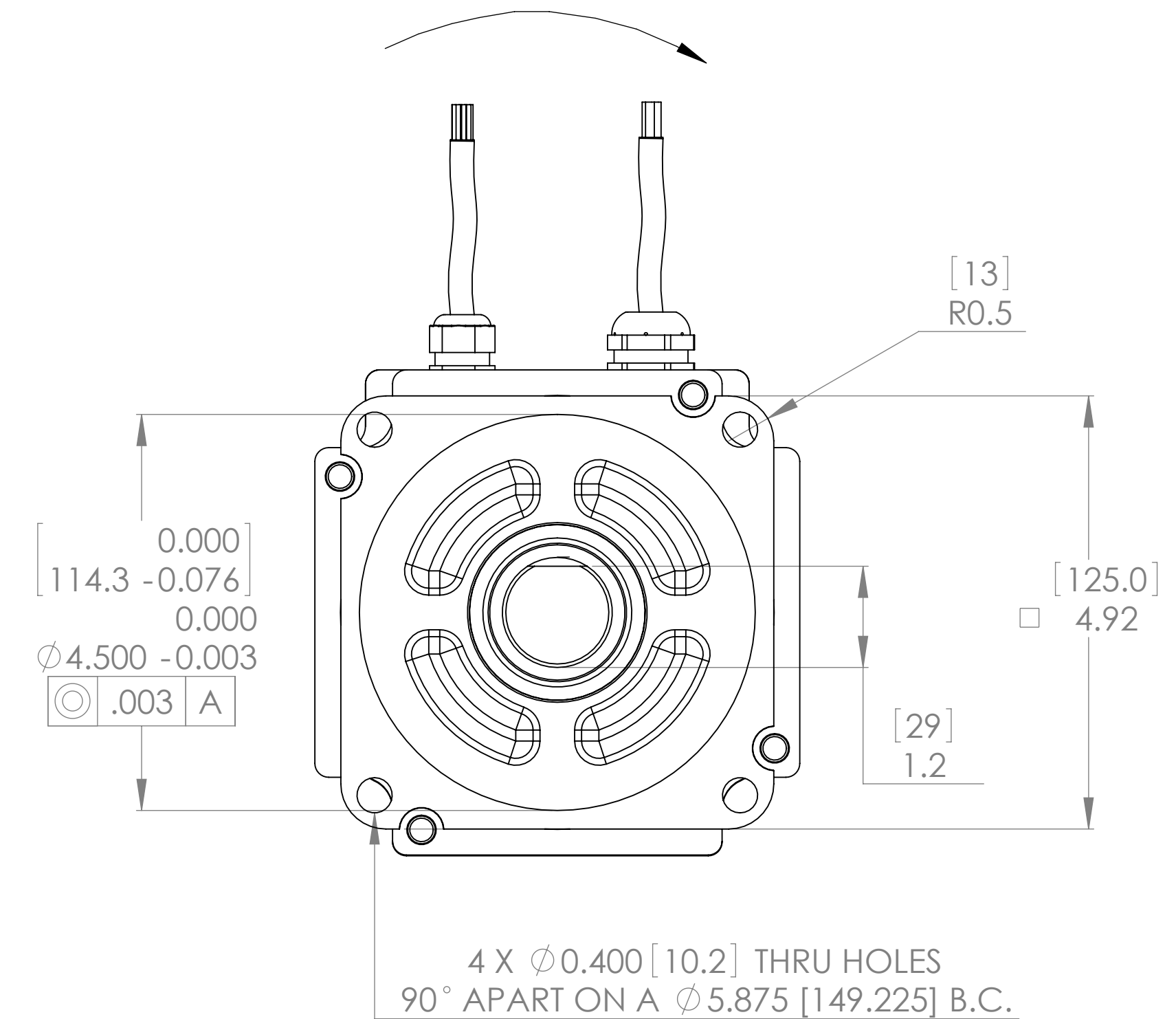
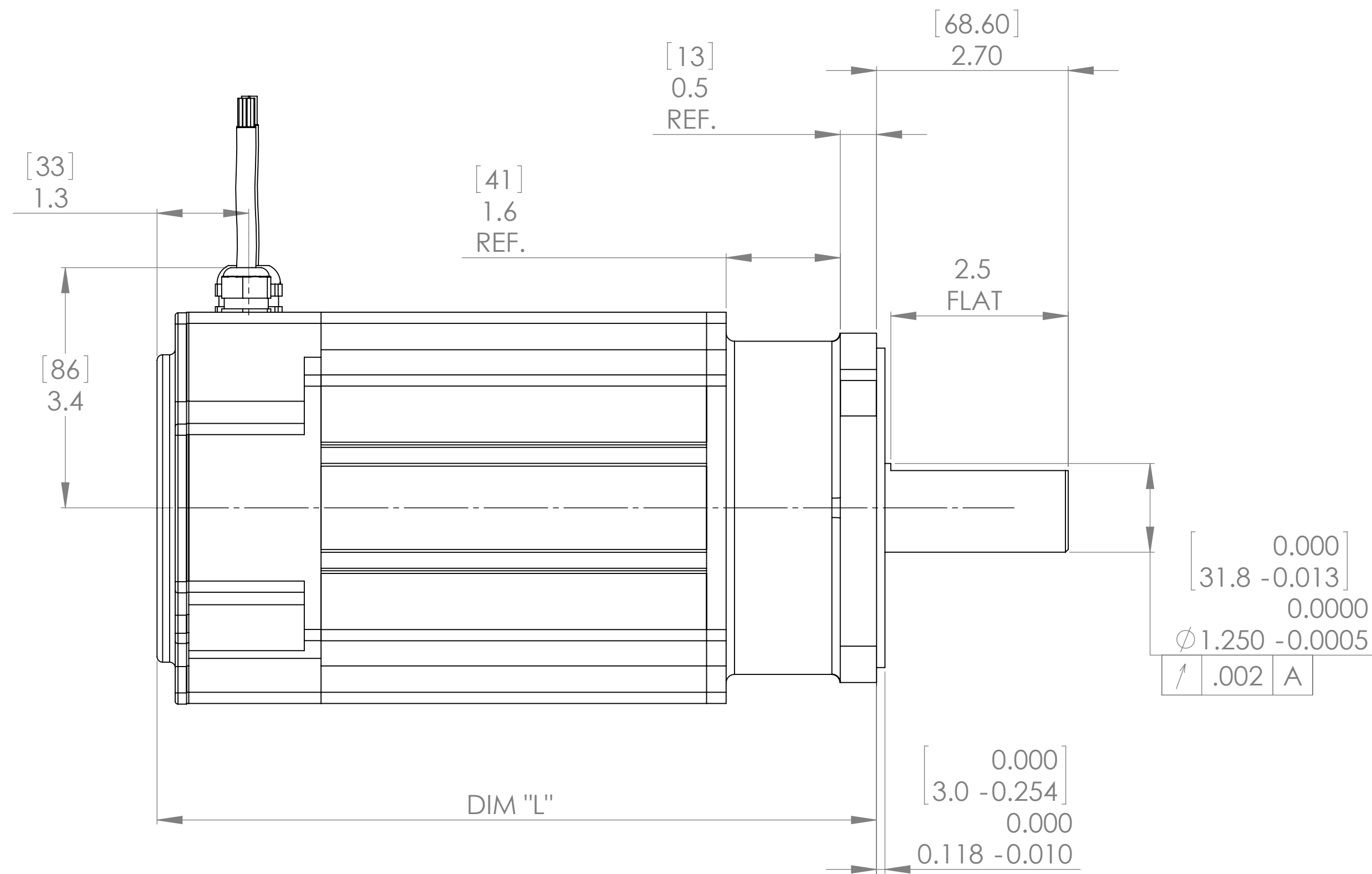
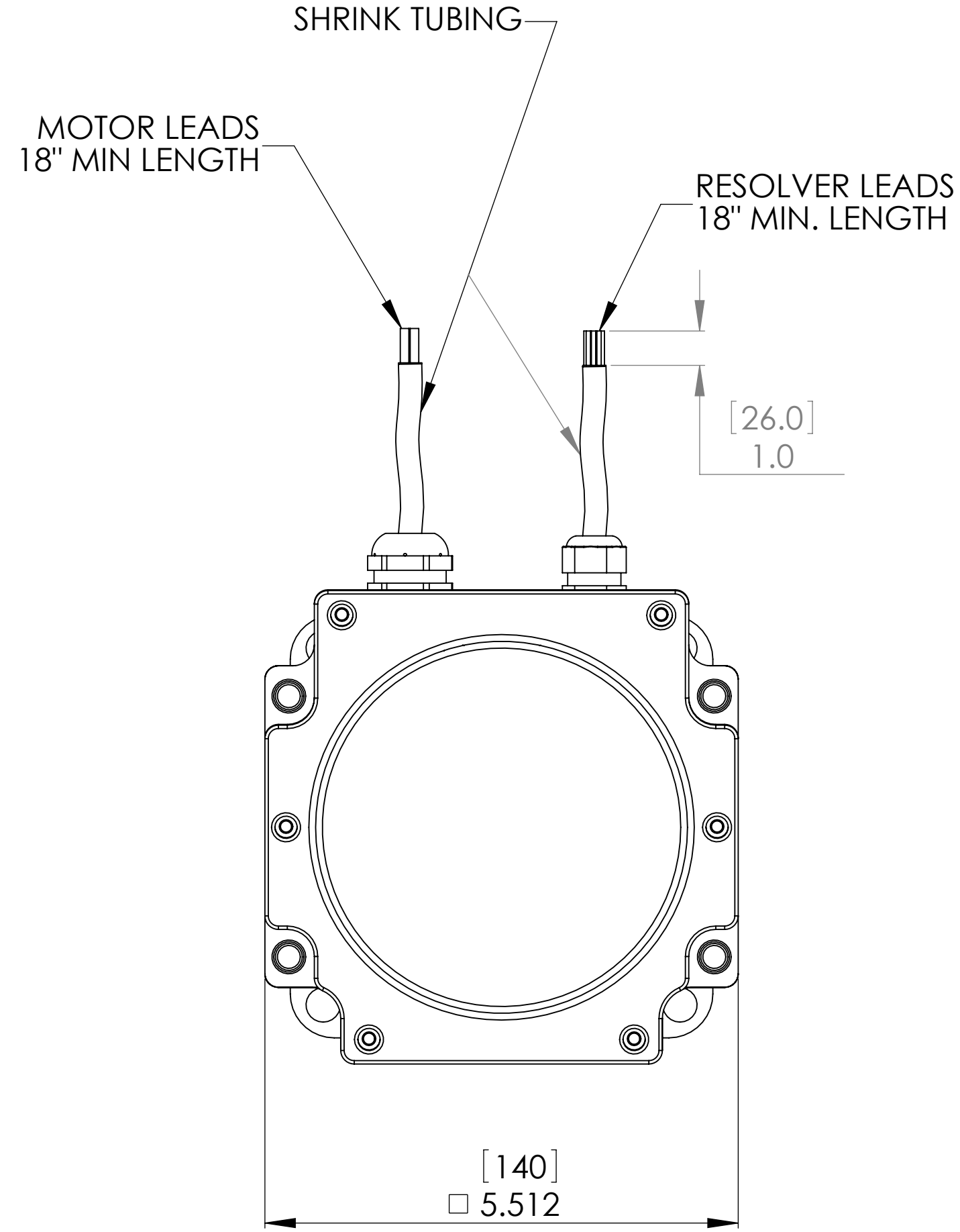


Clockwise rotation, viewed from the motor shaft, results in these waveforms.



FROM	WIRE COLOR	WIRE SIZE
S4	BLUE	# 28 AWG
S3	BLACK	# 28 AWG
R2	BLACK/WHITE	# 28 AWG
S2	YELLOW	# 28 AWG
S1	RED	# 28 AWG
R1	RED/WHITE	# 28 AWG

FROM	WIRE COLOR	WIRE SIZE
MOTOR M1	WHITE	# 12 AWG
MOTOR M2	BLACK	# 12 AWG
MOTOR M3	RED	# 12 AWG
CASE	GREEN	# 12 AWG



NOTES:

1. ROTATION: CLOCKWISE MOTOR ROTATION VIEWING DRIVE END OCCURS WHEN PHASE A LEADS PHASE B, PHASE B LEADS PHASE C.

Model #	Part #	DIM "L" (in)	DIM "L" (mm)
T1402	35018-101	8.01	203.4
T1403	35018-102	8.99	228.3
T1404	35018-103	9.98	253.4
T1405	35018-104	10.96	278.4

MILIMETER dimensions in [brackets] when used.		APPLICATION	
REFERENCE	INCH	NEXT ASSY	USED ON
DEFAULTS	MILLIMETER		140mm
.XX	+/- 0.050	CHECKED	
.XXX	+/- 0.010	APPROVED	
.XXX	+/- 0.005		
BOUGHERS	12mm / 3/16mm		
ANGLES	+/- 0° 30'		
MATERIAL			
THIRD ANGLE PROJECTION			
FINISH			

MonteVideo Technology, Inc. (MTI) A Motor And Control Company		FOR TORQUE SYSTEMS	
TITLE		OUTLINE NEMA 56 1.25" RESOLVER & LEADS	
DATE	CAGE CODE	DWG. NO.	REV.
09/30/08	54572	35011-105-108	A
SCALE 1:1	SHEET 1 OF 1		

CAD FILE: 35011-105-108.SDDRAW