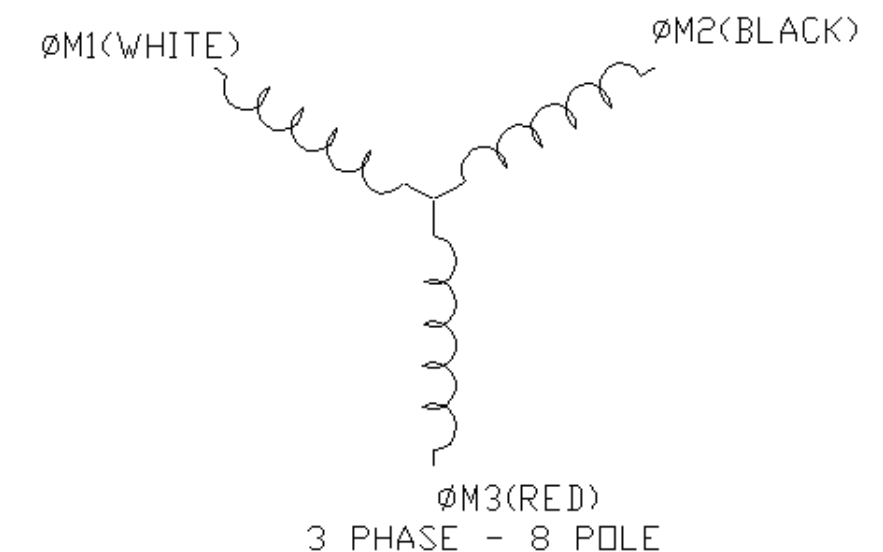
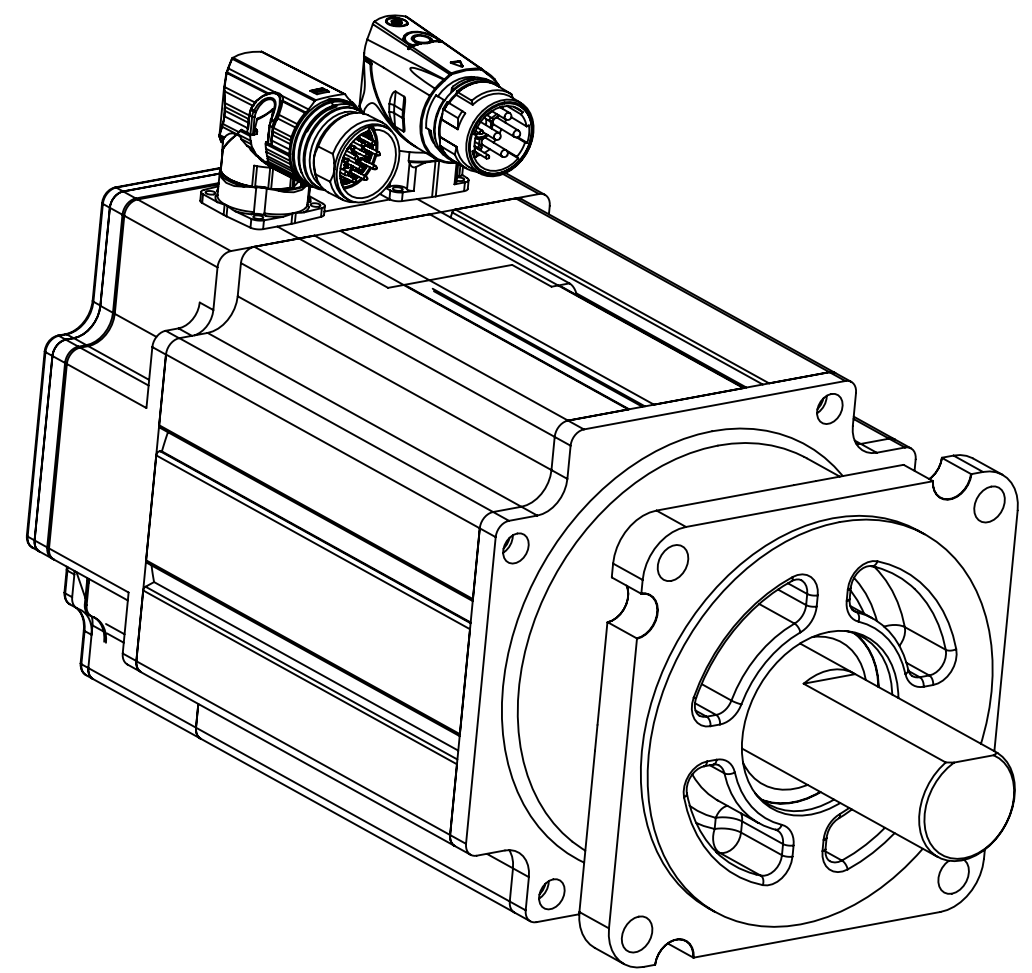
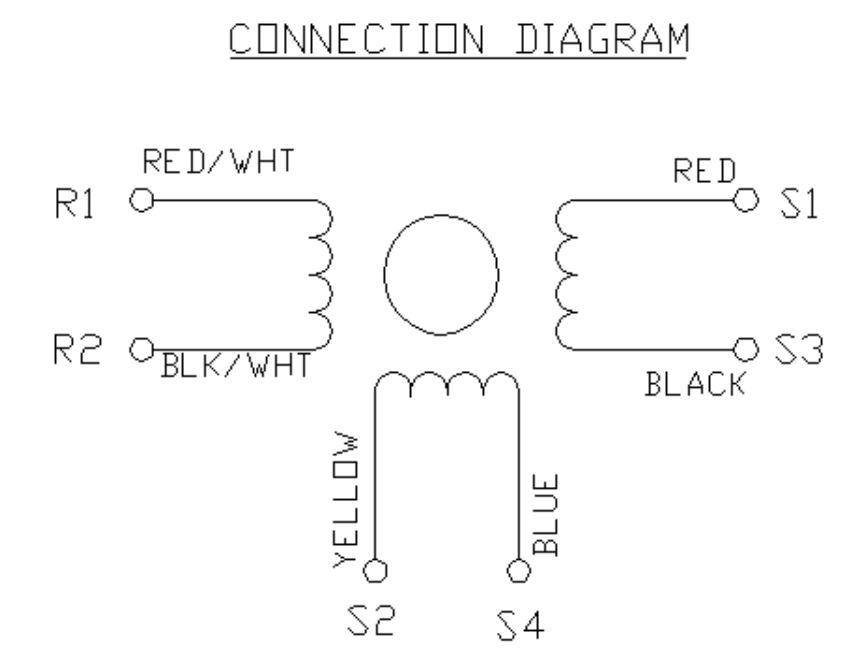
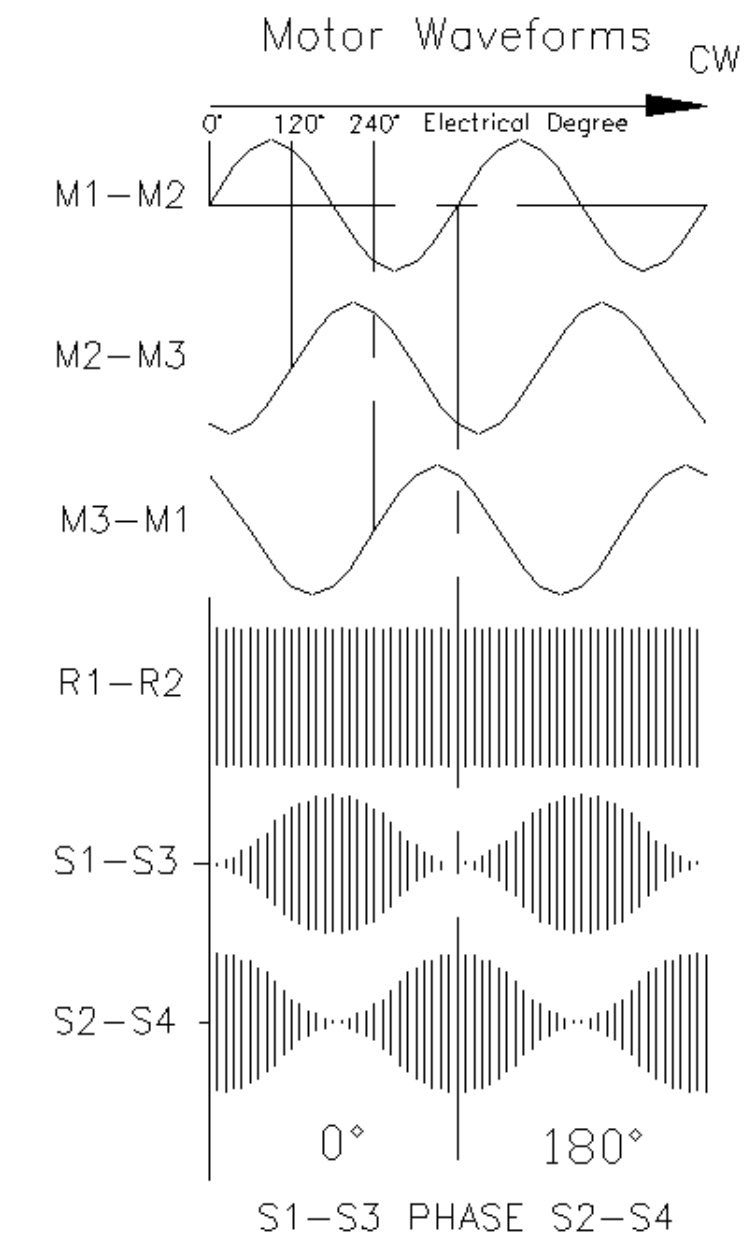


REVISIONS				
REV	ECN	DESCRIPTION	DATE	APP'D
A	DR8902	RELEASED	09/30/08	RAL

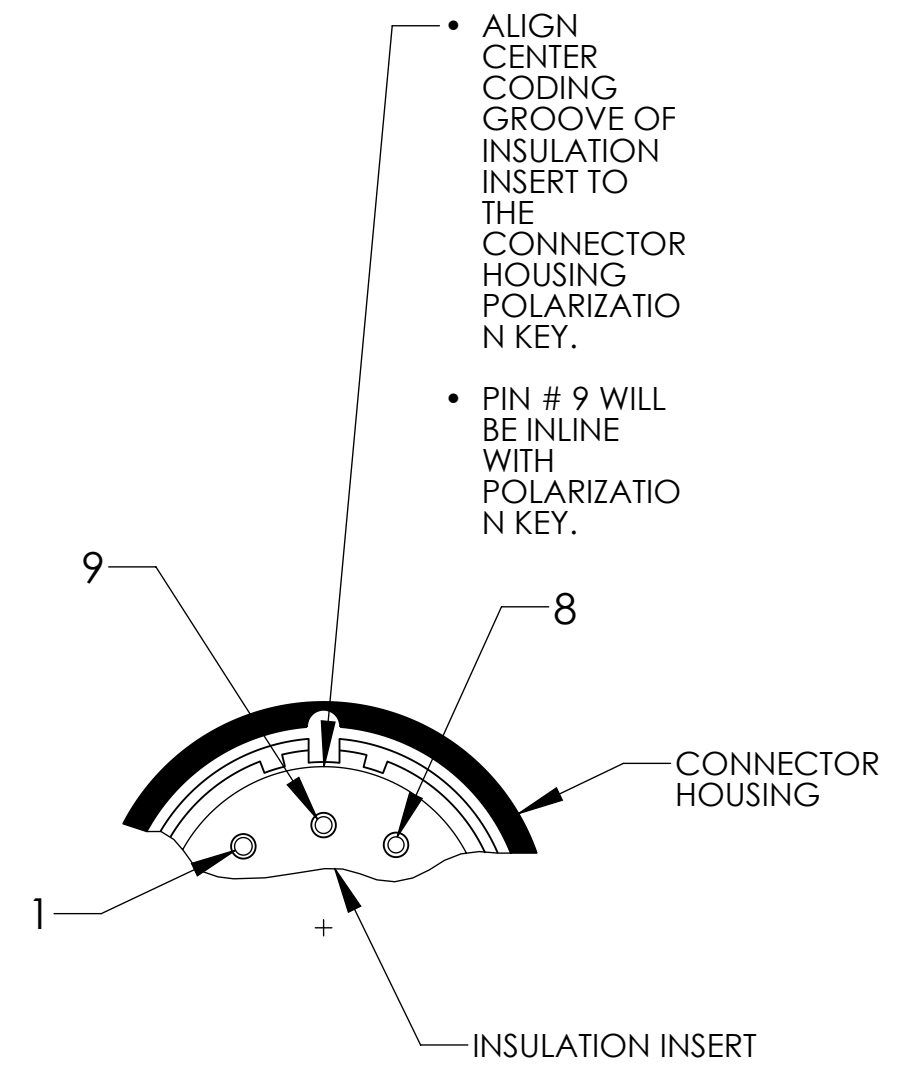


Clockwise rotation, viewed from the motor shaft, results in these waveforms.



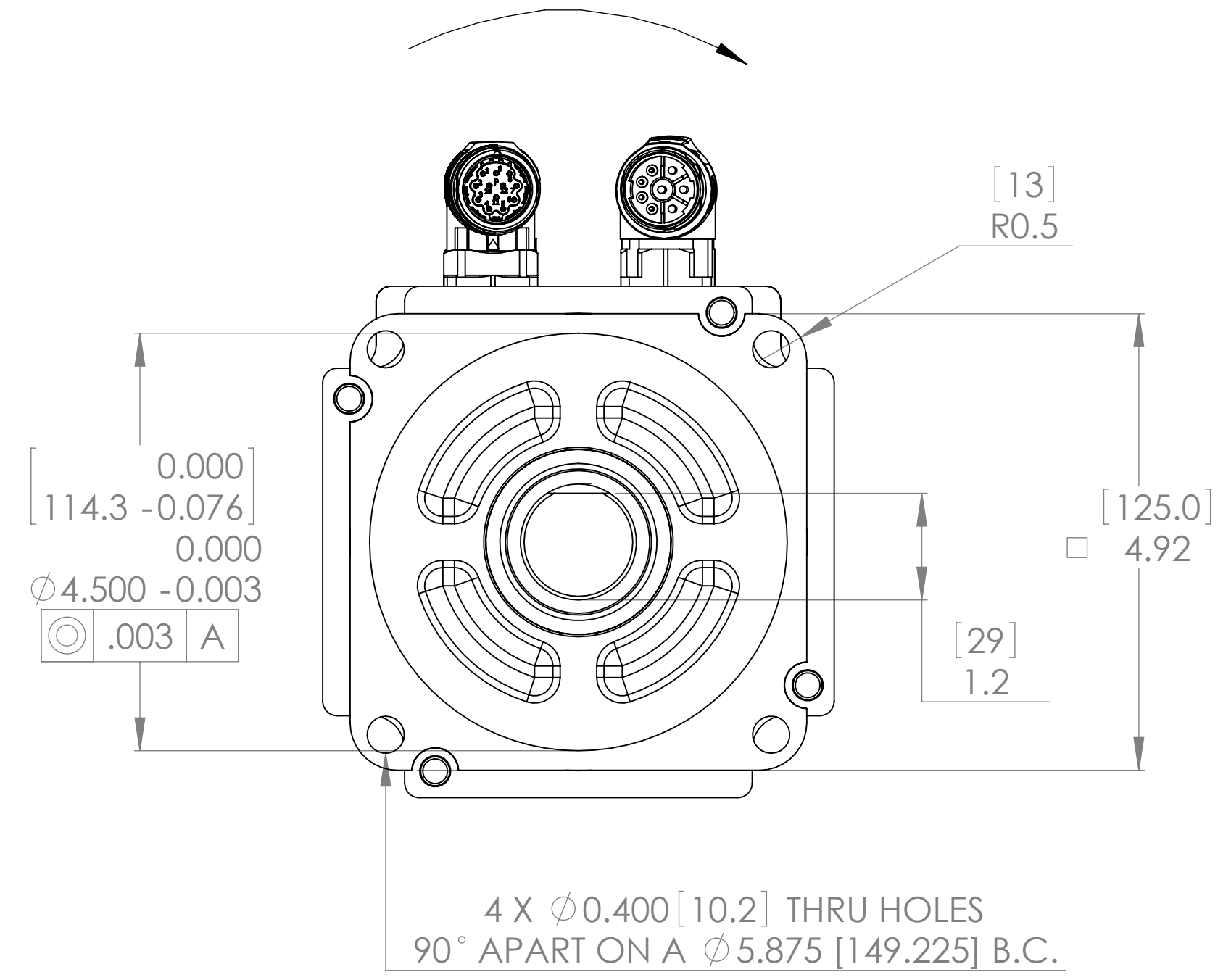
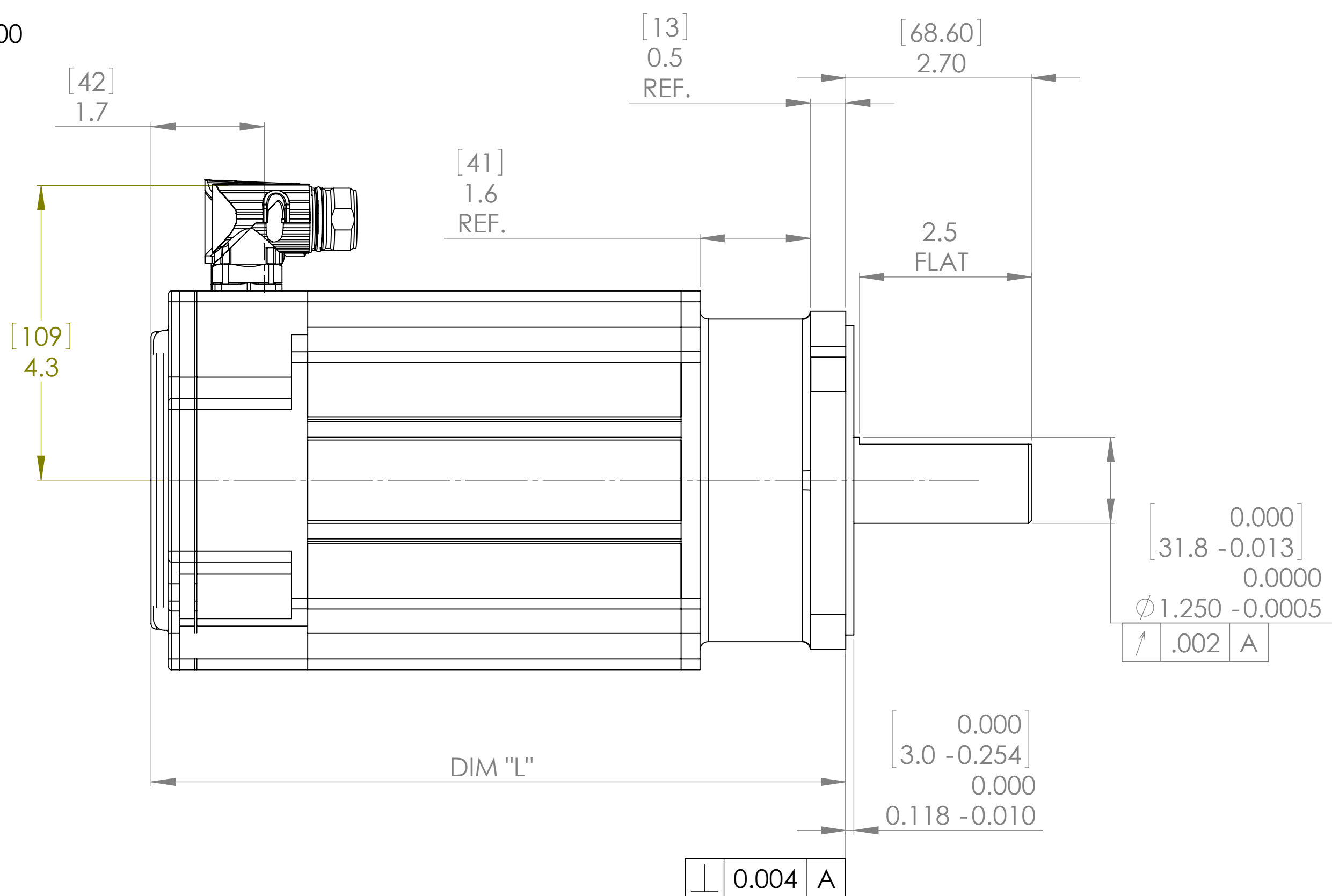
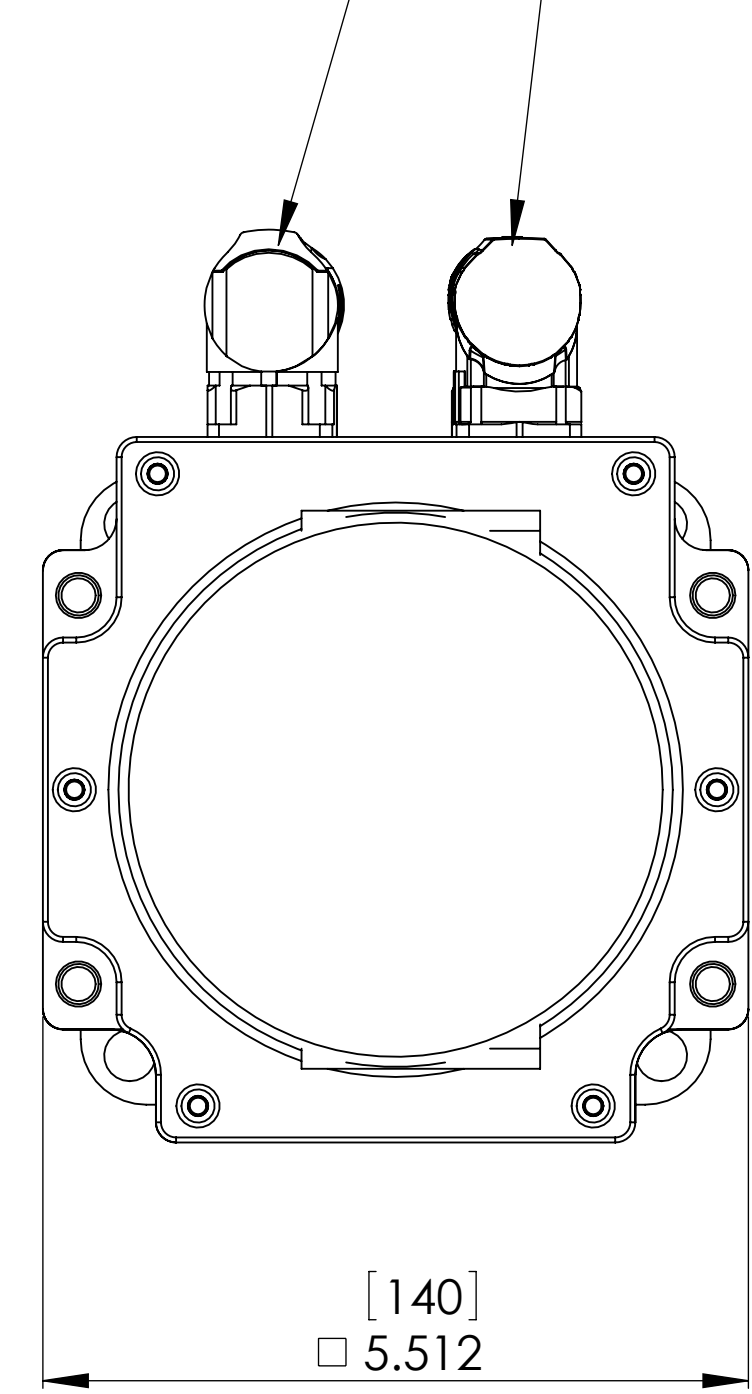
RESOLVER CONN. CODE	
FROM	TO PIN
S4	3
S3	4
R2	5
S2	7
S1	8
R1	9

MOTOR CONN. WIRING CODE	
FROM	TO PIN
MOTOR M1	1
MOTOR M3	3
MOTOR M2	4
CASE	



MOTOR CONNECTOR
INTER CONTEC P/N:
BEDC-089-NN-00-00-0005-000

RESOLVER CONNECTOR
INTER CONTEC P/N:
AEDC-052-NN-00-00-0012-000



NOTES:
1. ROTATION: CLOCKWISE MOTOR ROTATION VIEWING DRIVE END OCCURS WHEN PHASE A LEADS PHASE B, PHASE B LEADS PHASE C.

Model #	Part #	DIM "L" (in)	DIM "L" (mm)
T1402	35018-101	8.01	203.4
T1403	35018-102	8.99	228.3
T1404	35018-103	9.98	253.4
T1405	35018-104	10.96	278.4

Dimensions in INCHES. MILLIMETER dimensions in [brackets] when used. All dimensions apply after processing, removing burrs & Sharp Edges. Interpret dimensions and tolerances per ASME Y14.5M-1994.

NOTICE

MonteVideo Technology, Inc. (MTI)
A Motor And Control Company
FORQUE SYSTEMS

APPLICATION: 140mm

DRAWN: R. LEON

CHECKED: []

APPROVED: []

DATE: 05/45/72

SCALE: 1:1

SHEET 1 OF 1

CAD FILE: 35011-101-104.SDDRW