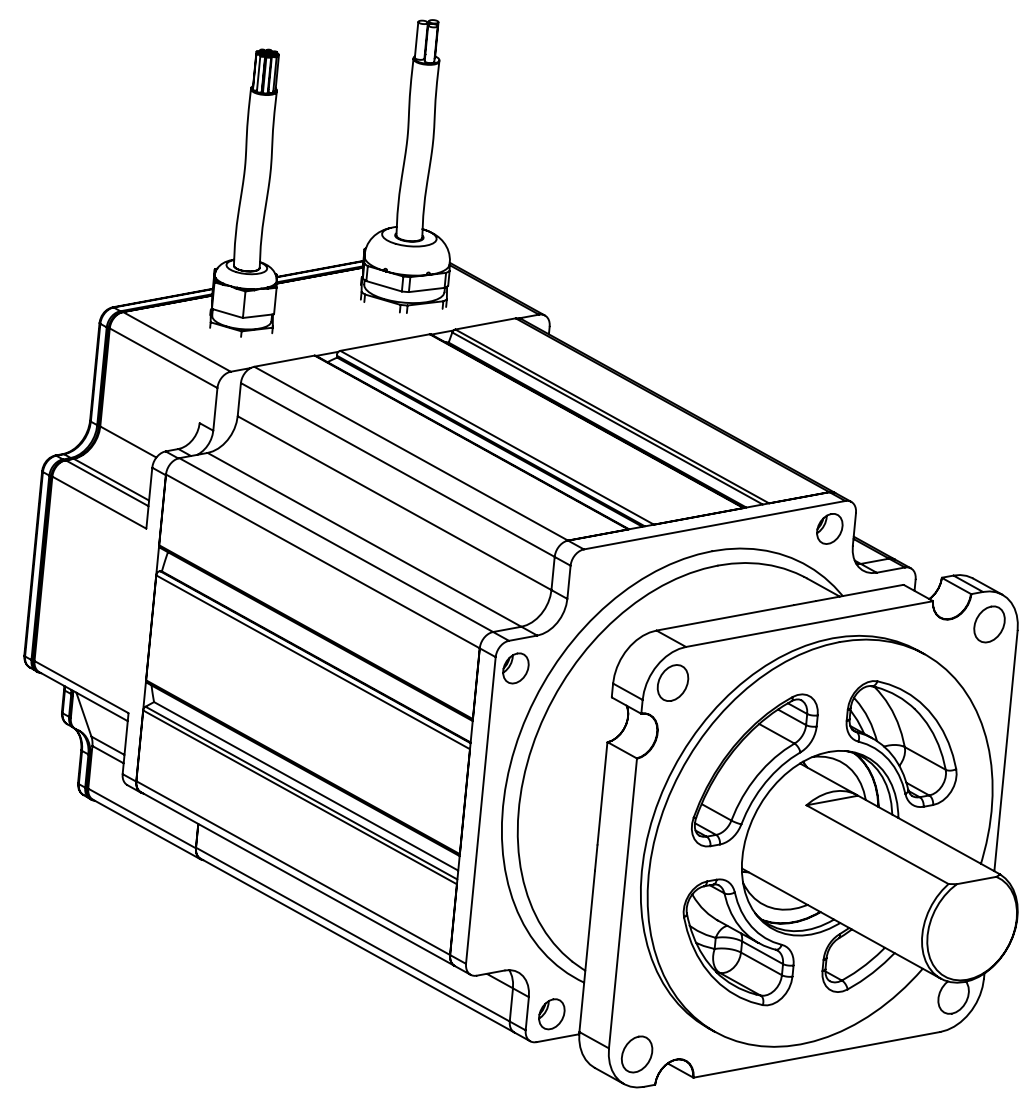
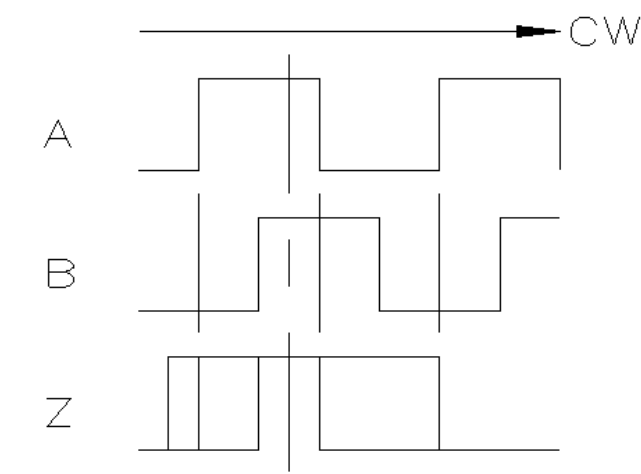


REVISIONS				
REV	ECN	DESCRIPTION	DATE	APP'D
A	DR8902	RELEASED	09/30/08	RAL



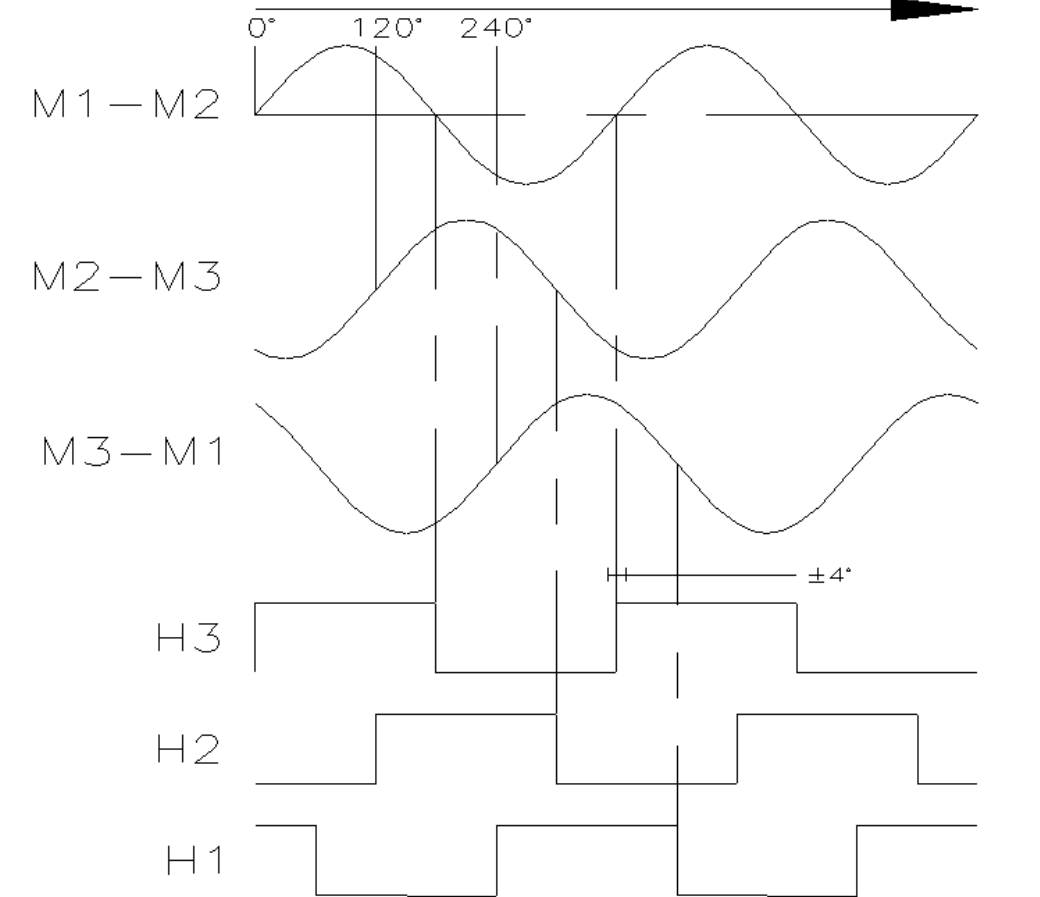
Clockwise rotation, viewed from the motor shaft, results in these waveforms.

Encoder Waveforms



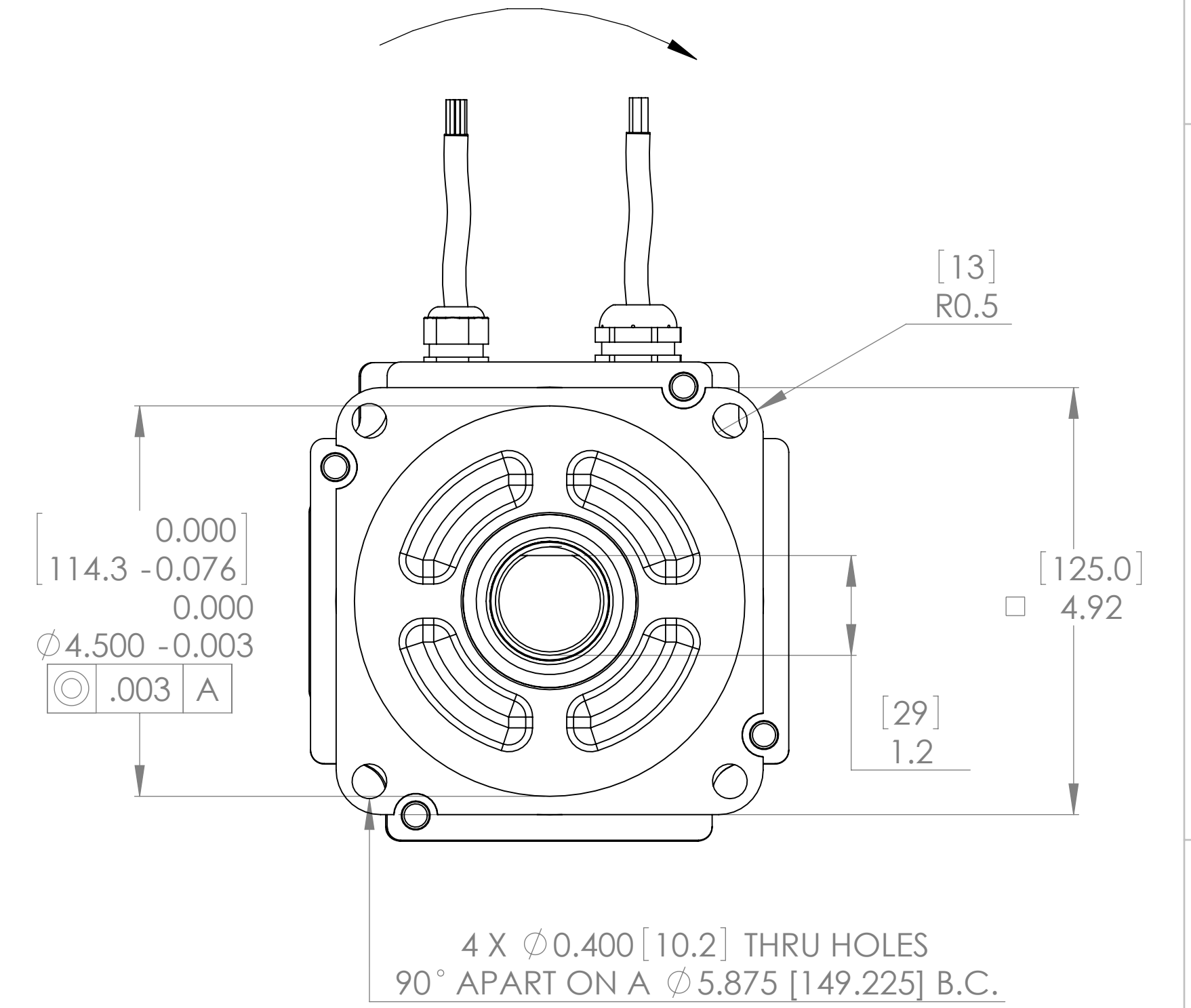
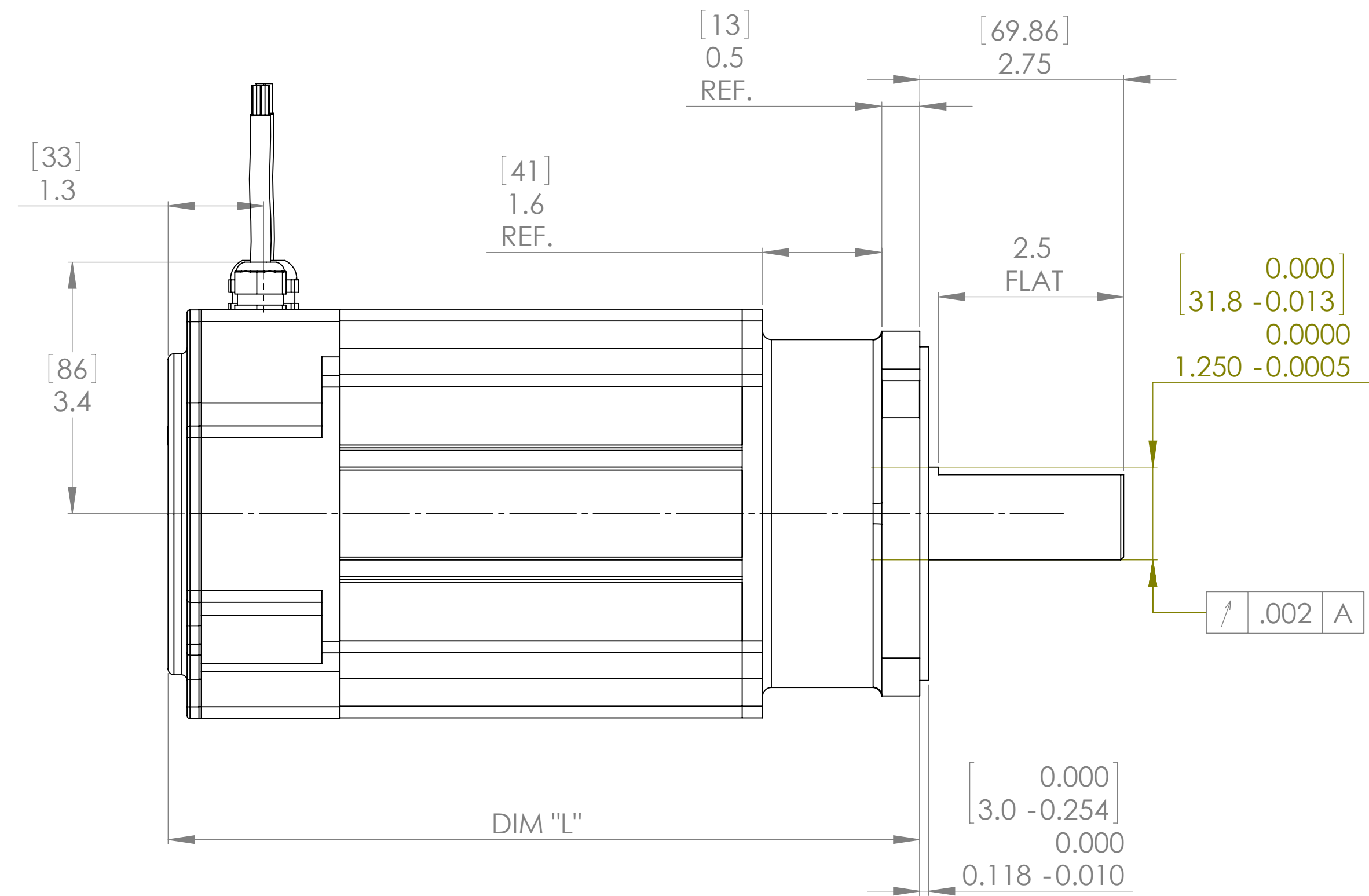
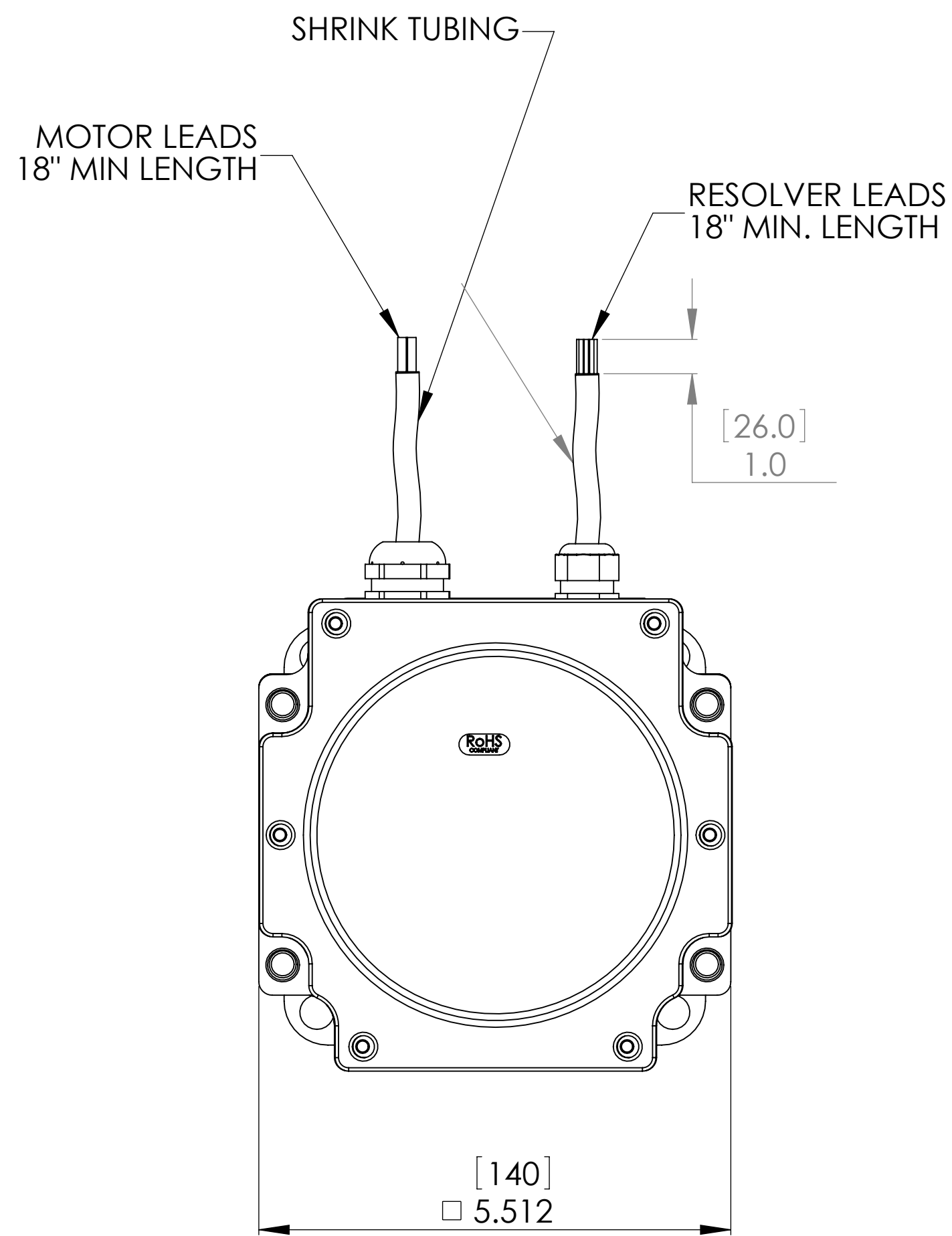
ENCODER IS UNGATED

Motor Waveforms CW



ENCODER CABLE WIRING CODE		
FROM	WIRE COLOR	WIRE SIZE
OUTPUT A	BROWN	# 28 AWG.
OUTPUT A'	WHITE	# 28 AWG.
OUTPUT B	BLUE	# 28 AWG.
OUTPUT B'	GREEN	# 28 AWG.
OUTPUT Z	ORANGE	# 28 AWG.
OUTPUT Z'	YELLOW	# 28 AWG.
OUTPUT U (H3)	VIOLET	# 28 AWG.
OUTPUT V (H2)	BROWN/WHITE	# 28 AWG.
OUTPUT W (H1)	ORANGE/WHITE	# 28 AWG.
CASE GROUND	BLACK WHITE	# 28 AWG.
CABLE SHIELD	DRAIN	# 28 AWG.
+ 5 VDC	RED	# 28 AWG.
COMMON	BLACK	# 28 AWG.

MOTOR CABLE WIRING CODE		
FROM	WIRE COLOR	WIRE SIZE
MOTOR M1	WHITE	# 12 AWG
MOTOR M2	BLACK	# 12 AWG
MOTOR M3	RED	# 12 AWG
CASE	GREEN	# 12 AWG



NOTES:

1. ROTATION: CLOCKWISE MOTOR ROTATION VIEWING DRIVE END OCCURS WHEN PHASE A LEADS PHASE B, PHASE B LEADS PHASE C.

Model #	Part #	DIM "L" (in)	DIM "L" (mm)
T1402	35018-101	8.01	203.4
T1403	35018-102	8.99	228.3
T1404	35018-103	9.98	253.4
T1405	35018-104	10.96	278.4

Dimensions in INCHES. MILLIMETER dimensions in [brackets] when used. All dimensions apply after processing, removing burrs & Sharp Edges. Interpret dimensions and tolerances per ASME Y14.5M-1994.

NOTICE
Information contained herein is the sole property of MTI Torque Systems, Inc. This may not be reproduced, copied, or posted in any manner in part or whole without the written permission by MTI Torque Systems, Inc.

THIRD ANGLE PROJECTION

FINISH	APPROVED	SCALE 1:1
CHECKED	DATE	SHEET 1 OF 1

APPLICATION: NEXT ASSY USED ON: 140mm

DATE: 09/30/08

DRAWN BY: LEON

CAGE CODE: 54572

DWG. NO.: 35011-113-116

REV. A

MonteVideo Technology, Inc. (MTI)
A Motor And Control Company
TORQUE SYSTEMS

TITLE: OUTLINE NEMA 56 1.25" ENCODER & LEADS

CAD FILE: 35011-113-116.SDDRW