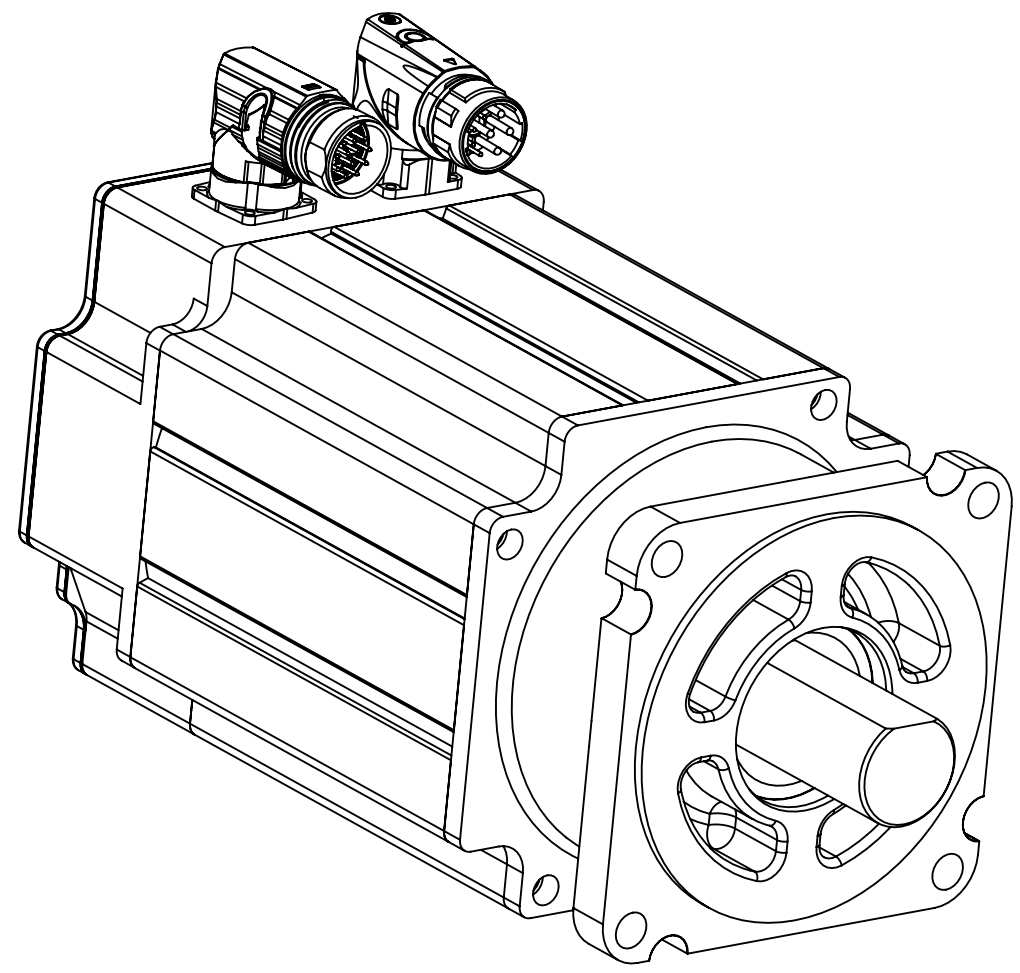
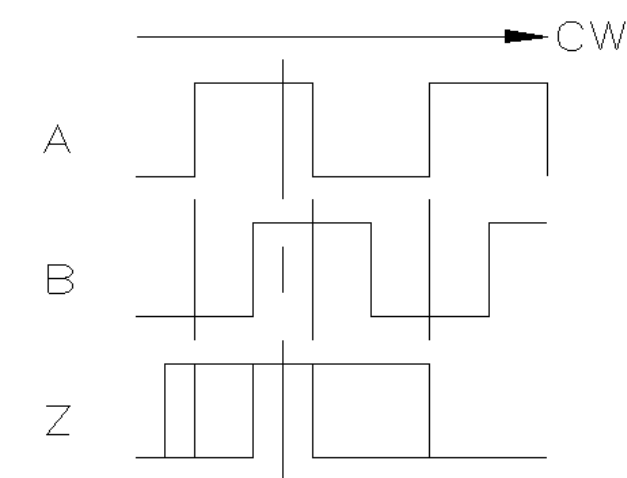


REVISIONS				
REV	ECN	DESCRIPTION	DATE	APP'D
A	DR8902	RELEASED	09/30/08	RAL



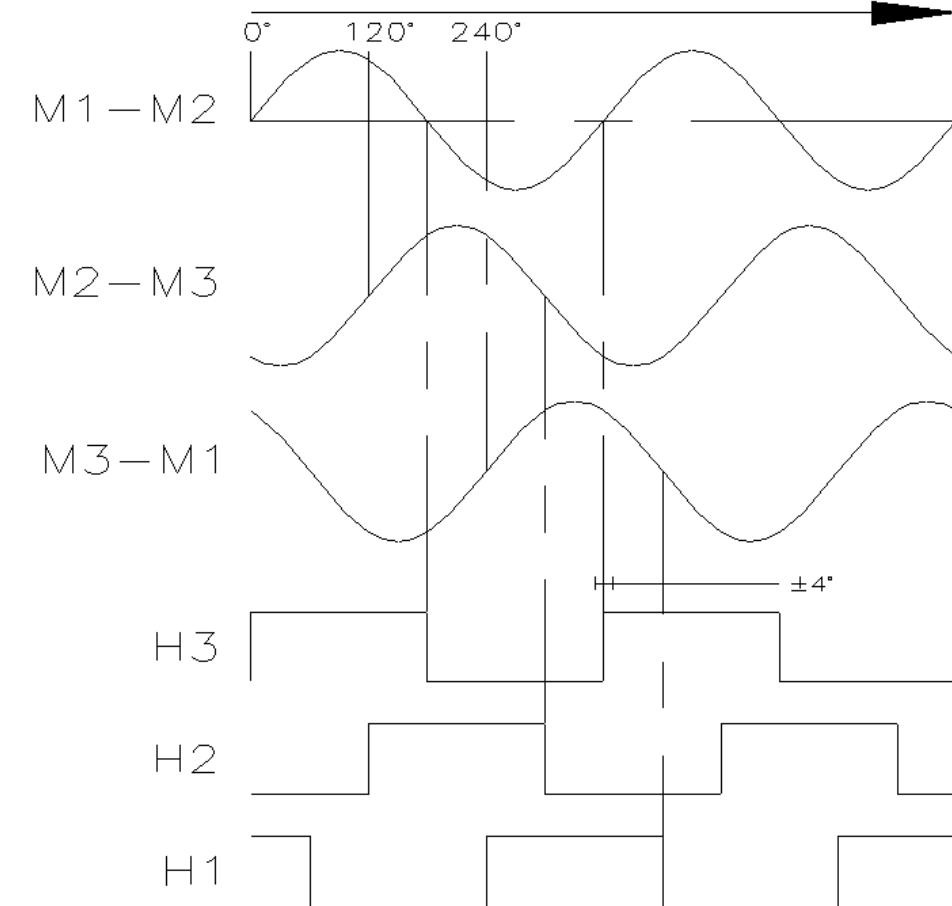
Clockwise rotation, viewed from the motor shaft, results in these waveforms.

Encoder Waveforms



ENCODER IS UNGATED

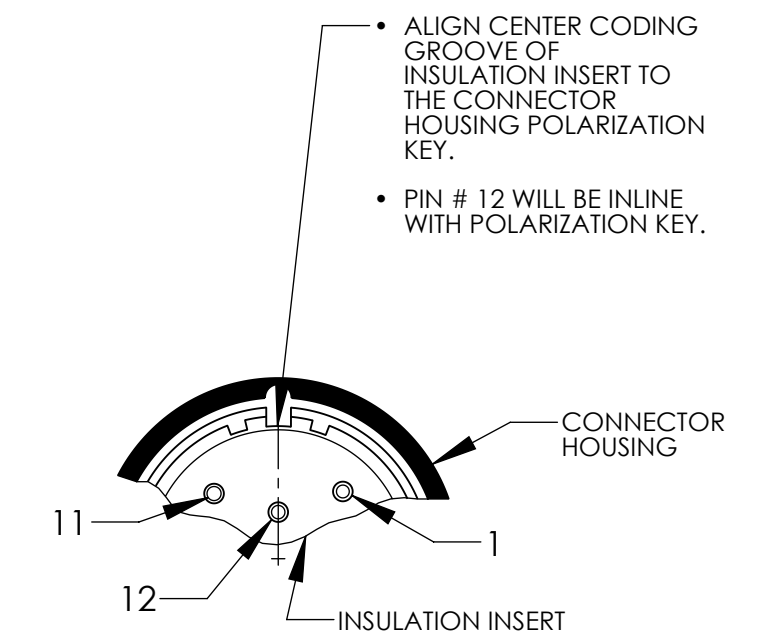
Motor Waveforms CW



ENCODER CONN WIRING	
FROM	TO PIN
OUTPUT B	1
OUTPUT B'	2
OUTPUT A	3
OUTPUT A'	4
OUTPUT Z	5
OUTPUT Z'	6
COMMON	7
+ 5 VDC	10
CASE GROUND	11
OUTPUT U (H3)	15
OUTPUT V(H2)	16
OUTPUT W(H1)	17

ENCODER CABLE SHIELD IS NOT CONNECTED AT MOTOR END

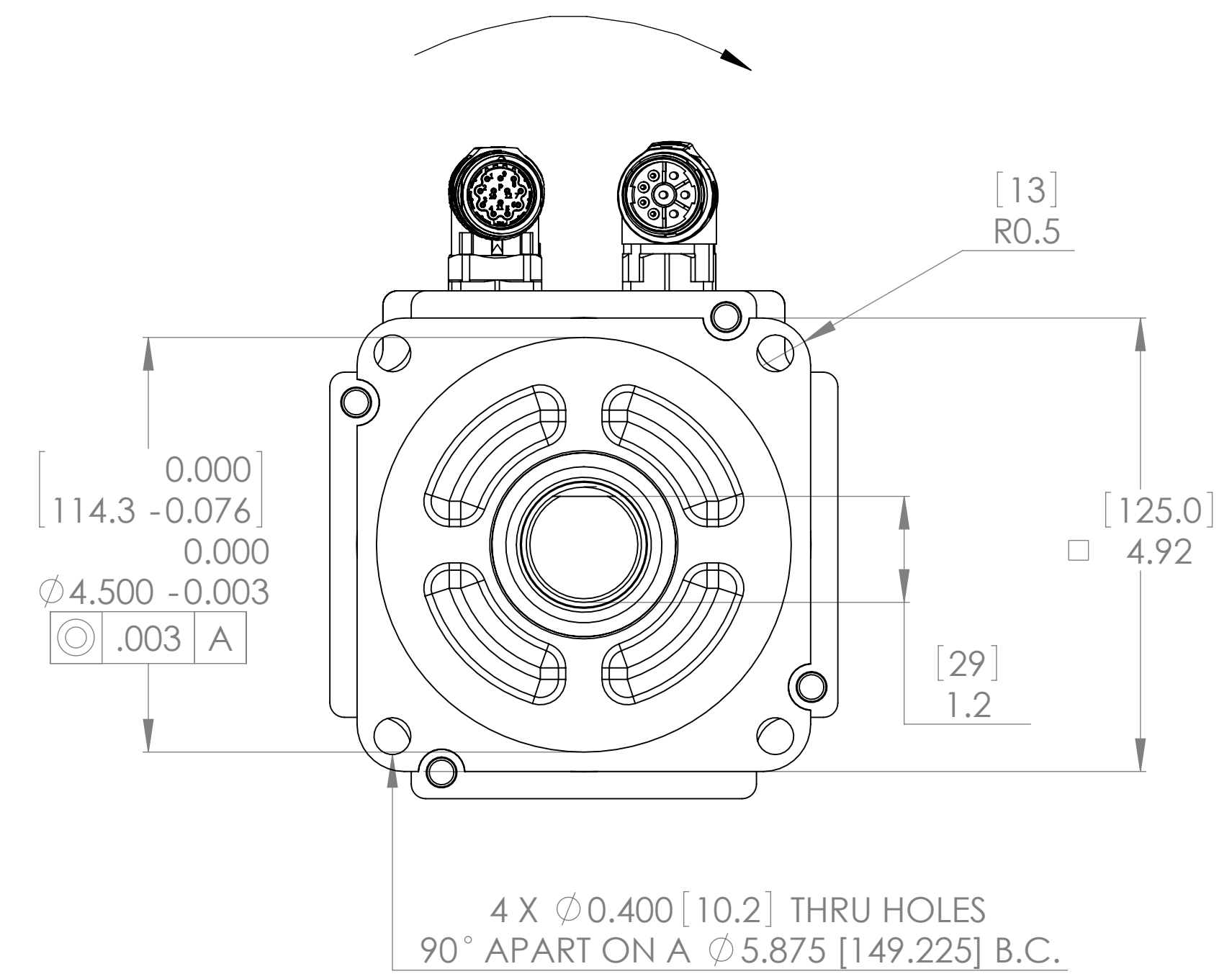
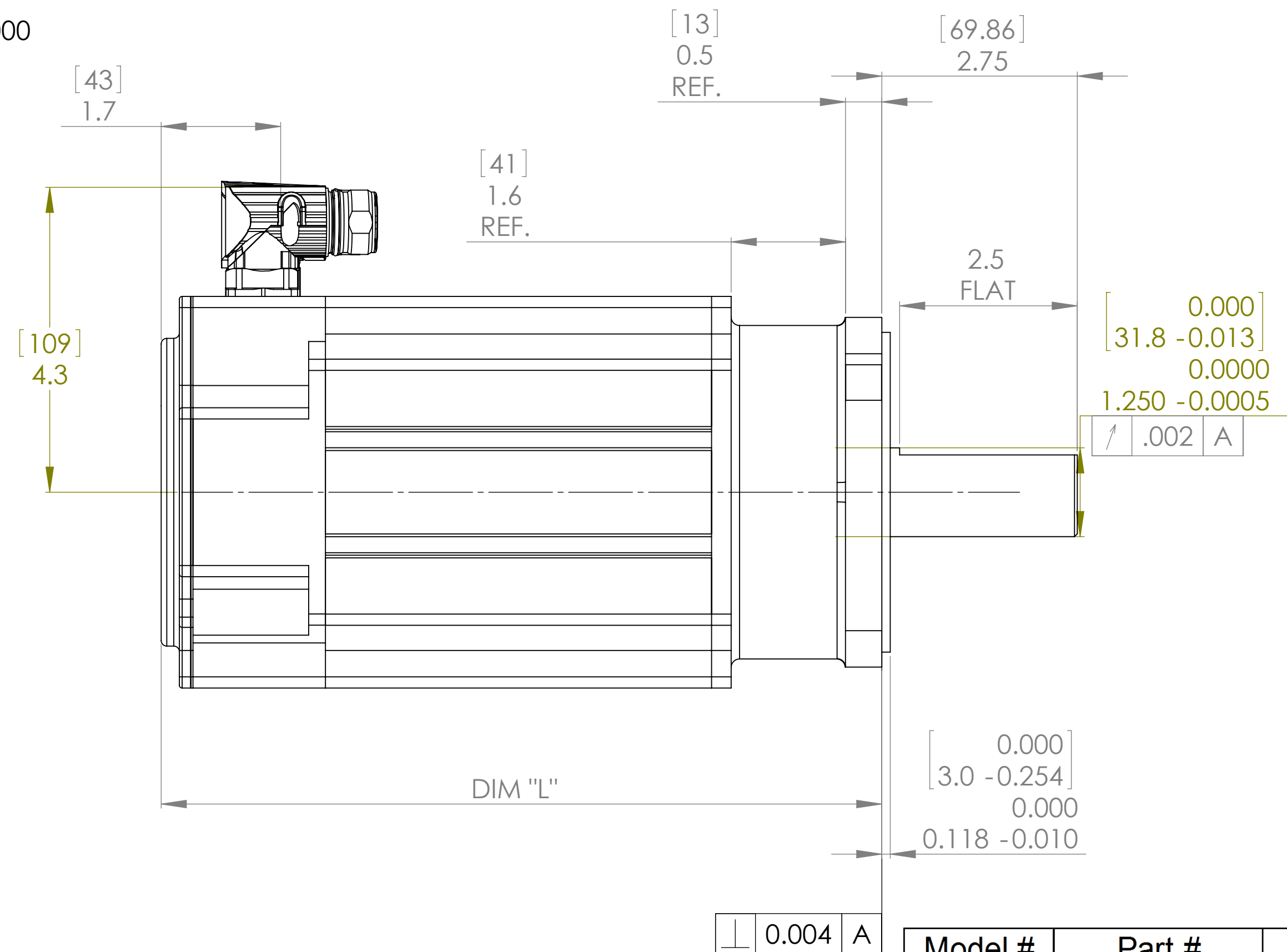
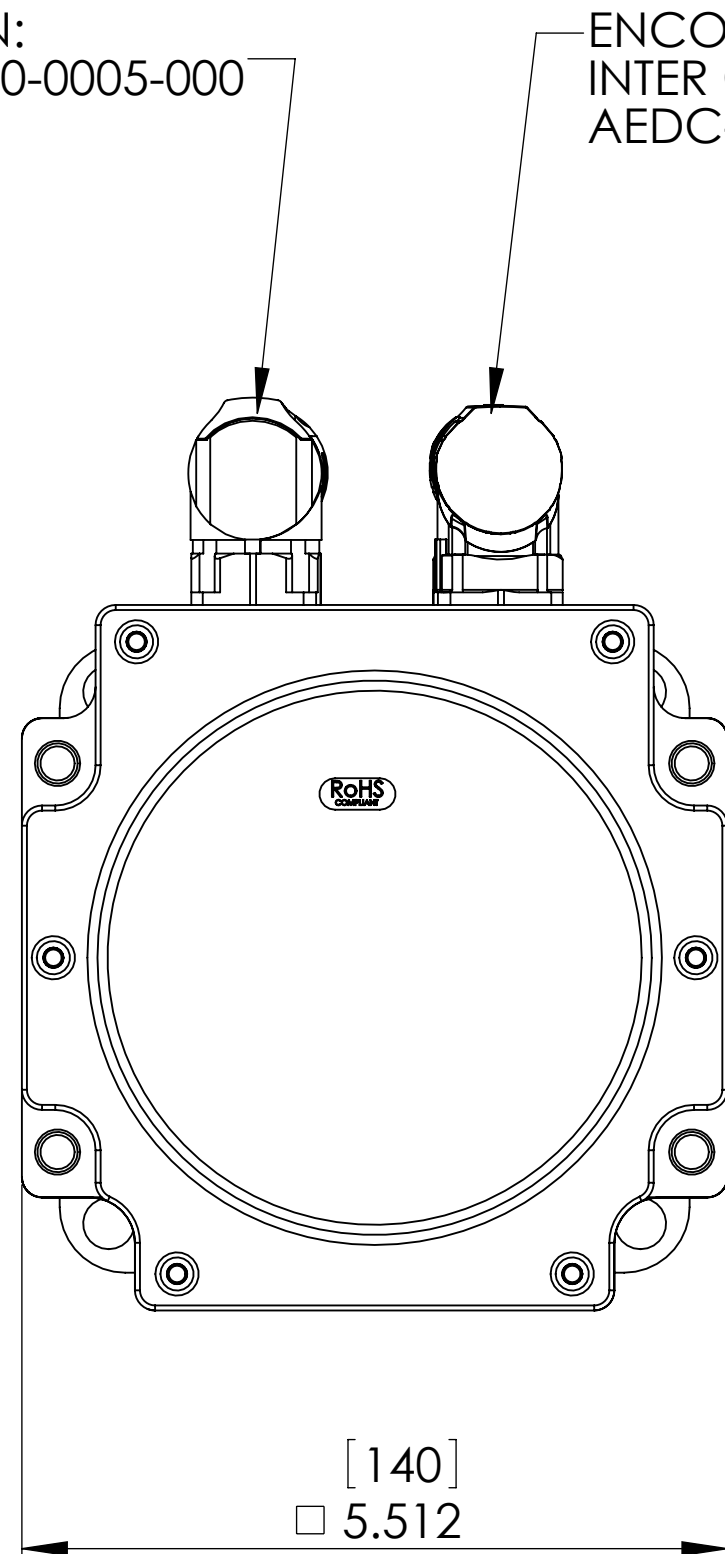
MOTOR CONN. WIRING CODE	
FROM	TO PIN
MOTOR M1	1
MOTOR M3	3
MOTOR M2	4
CASE	



ENCODER CONNECTOR

MOTOR CONNECTOR
INTER CONTEC P/N:
BEDC-089-NN-00-00-0005-000

ENCODER CONNECTOR
INTER CONTEC P/N:
AEDC-052-NN-00-00-0012-000



NOTES:

1. ROTATION: CLOCKWISE MOTOR ROTATION VIEWING DRIVE END OCCURS WHEN PHASE A LEADS PHASE B, PHASE B LEADS PHASE C.

Model #	Part #	DIM "L" (in)	DIM "L" (mm)
T1402	35018-101	8.01	203.4
T1403	35018-102	8.99	228.3
T1404	35018-103	9.98	253.4
T1405	35018-104	10.96	278.4

<p>Dimensions in INCHES MILLIMETER dimensions in [brackets] when used. All dimensions apply after processing, removing burrs & Sharp Edges. Interpret dimensions and tolerances per ASME Y14.5M-1994.</p> <p>NOTICE Information contained herein is the sole property of MTI Torque Systems, Inc. This may not be reproduced, copied, or traced in any manner in part or whole without the written permission by MTI Torque Systems, Inc.</p> <p>THIRD ANGLE PROJECTION</p>		<p>APPLICATION</p> <p>NEXT ASSY: 140mm</p> <p>USED ON:</p>	<p>MonteVideo Technology, Inc. (MTI) A Motor And Control Company</p> <p>TORQUE SYSTEMS</p> <p>TITLE: OUTLINE NEMA 56 1.25" ENCODER & CONNECTORS</p> <p>DRAWN: R. LEON 09/30/08</p> <p>CHECKED:</p> <p>APPROVED:</p> <p>SCALE: 1:1</p>
<p>FINISH:</p> <p>REFERENCE: INCH MILLIMETER</p> <p>DEFAULTS: INCH (mm)</p> <p>.XX +/- 0.010 +/- 0.25</p> <p>.XXX +/- 0.005 +/- 0.127</p> <p>BOUGHSSES: 1.25mm x 3.175mm</p> <p>ANGLES +/- 0° 30'</p>	<p>CAGE CODE: 54572</p> <p>DWG. NO.: 35011-109-112</p> <p>REV. A</p>	<p>SHEET 11 OF 1</p>	<p>CAD FILE: 35011-109-112.SDDRW</p>