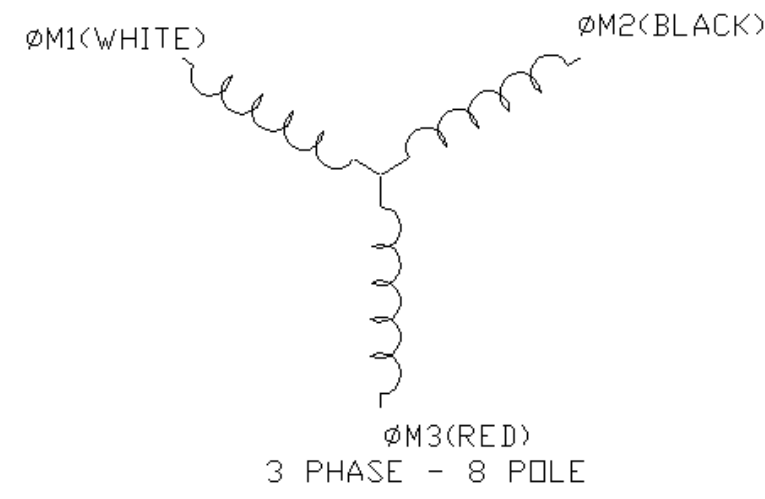
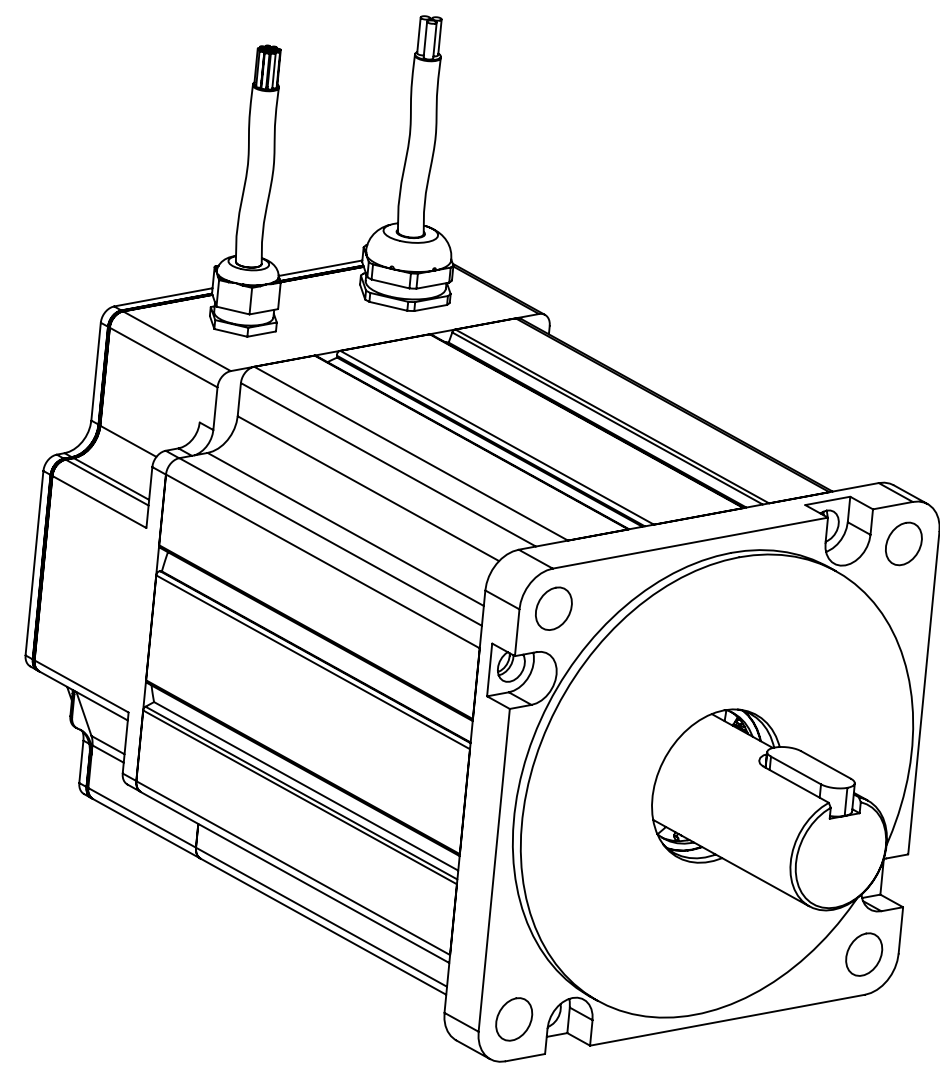
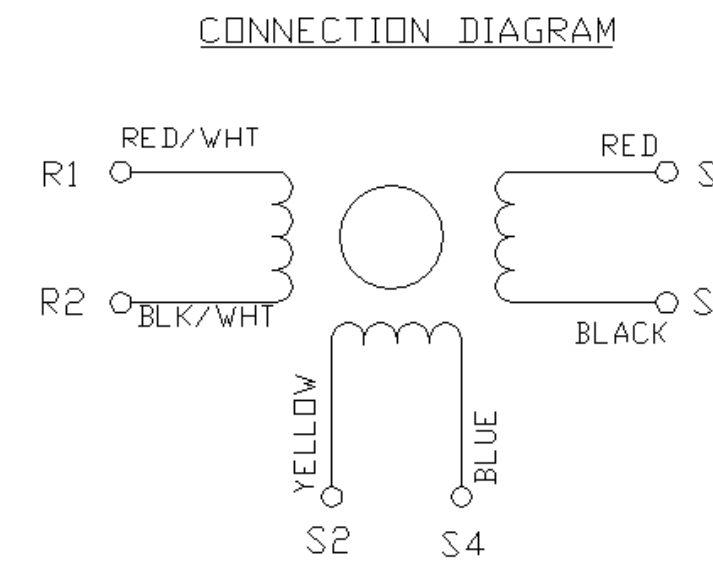
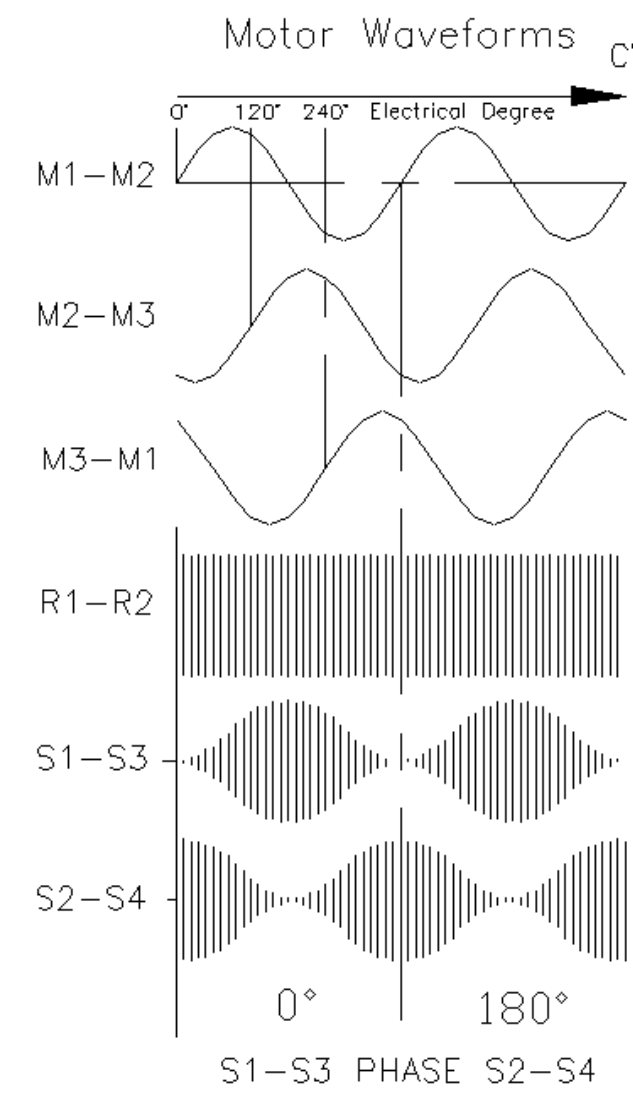


REVISIONS				
REV	ECN	DESCRIPTION	DATE	APP'D
A	DR8263	RELEASED	8/28/06	T.M.

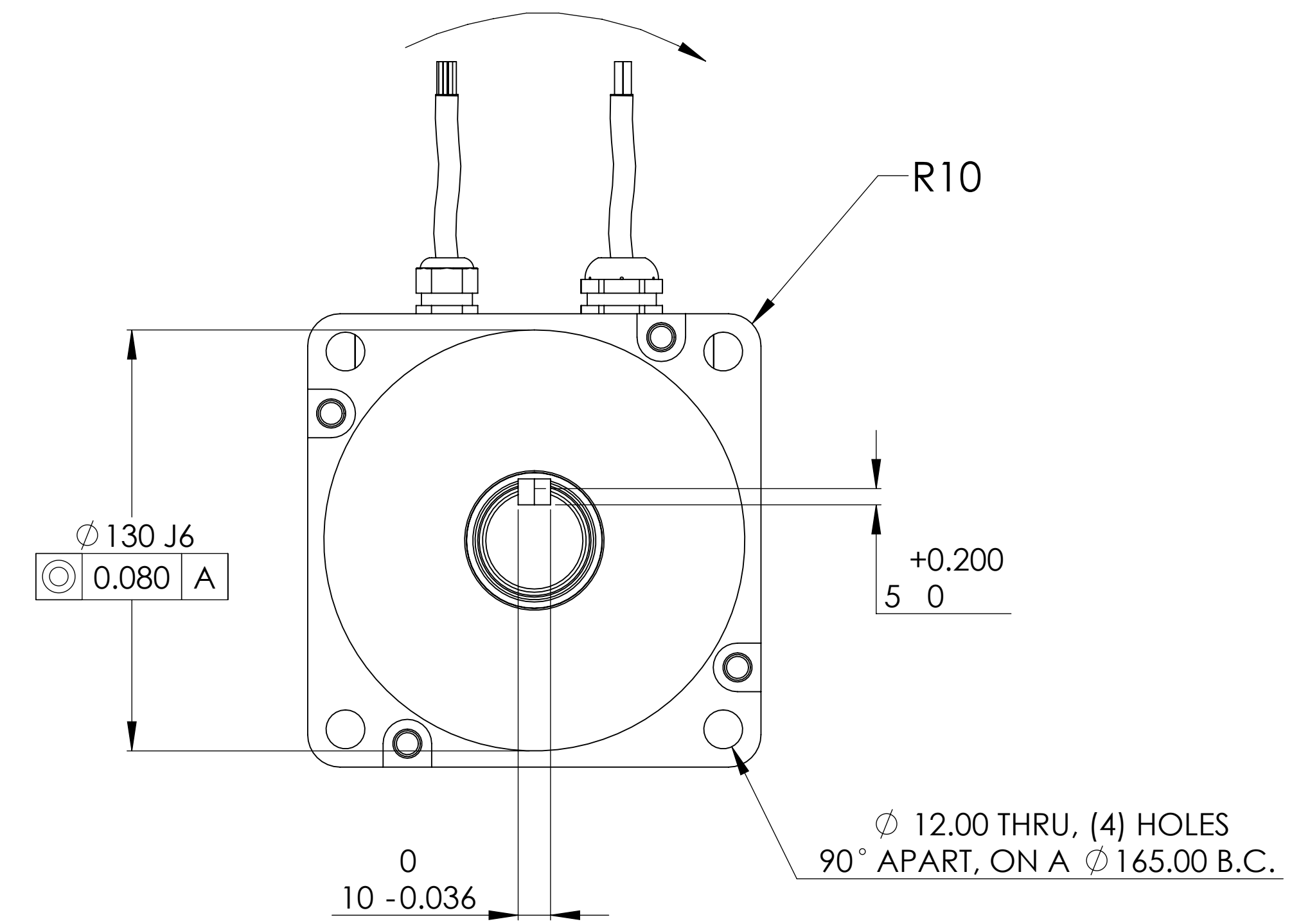
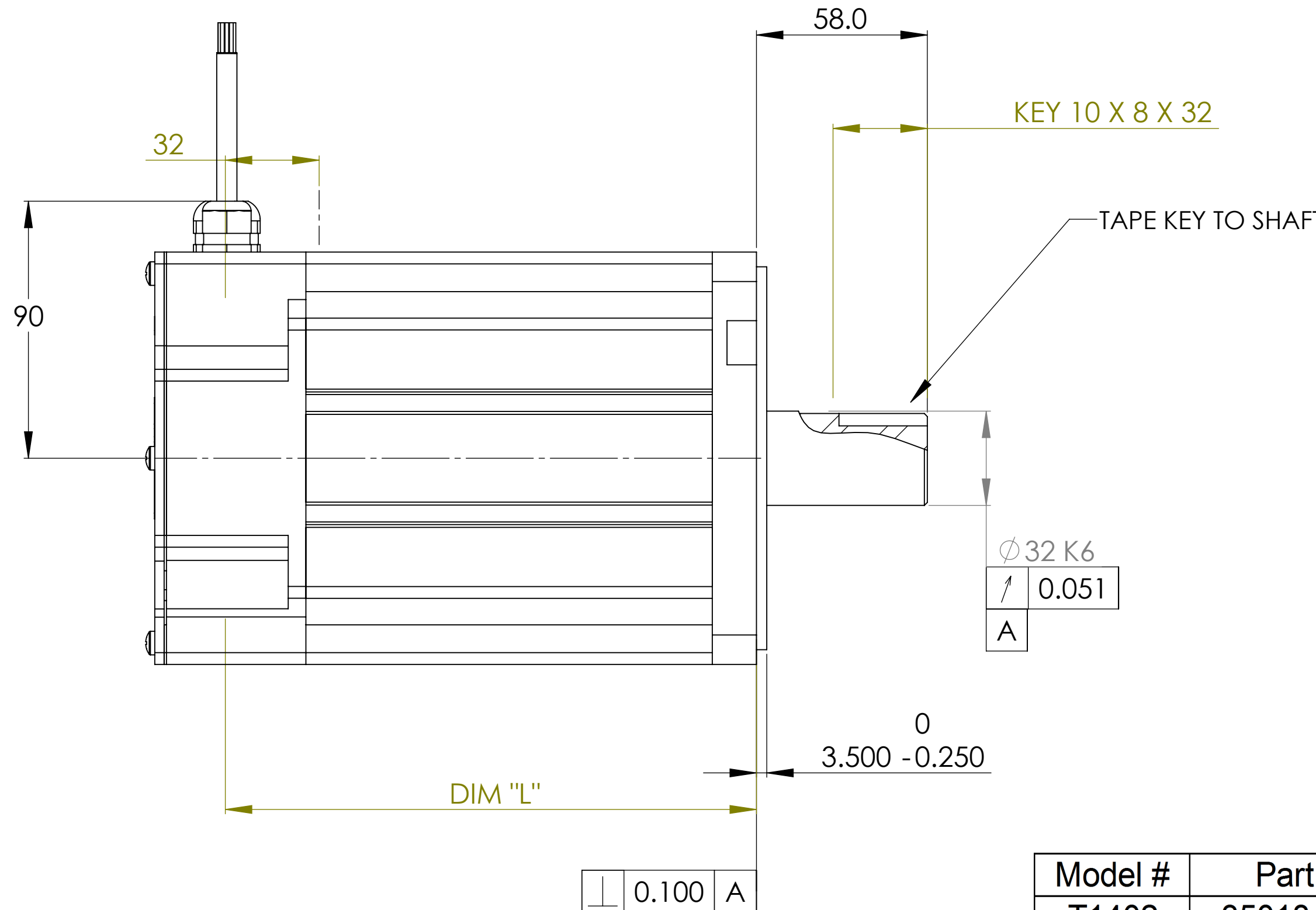
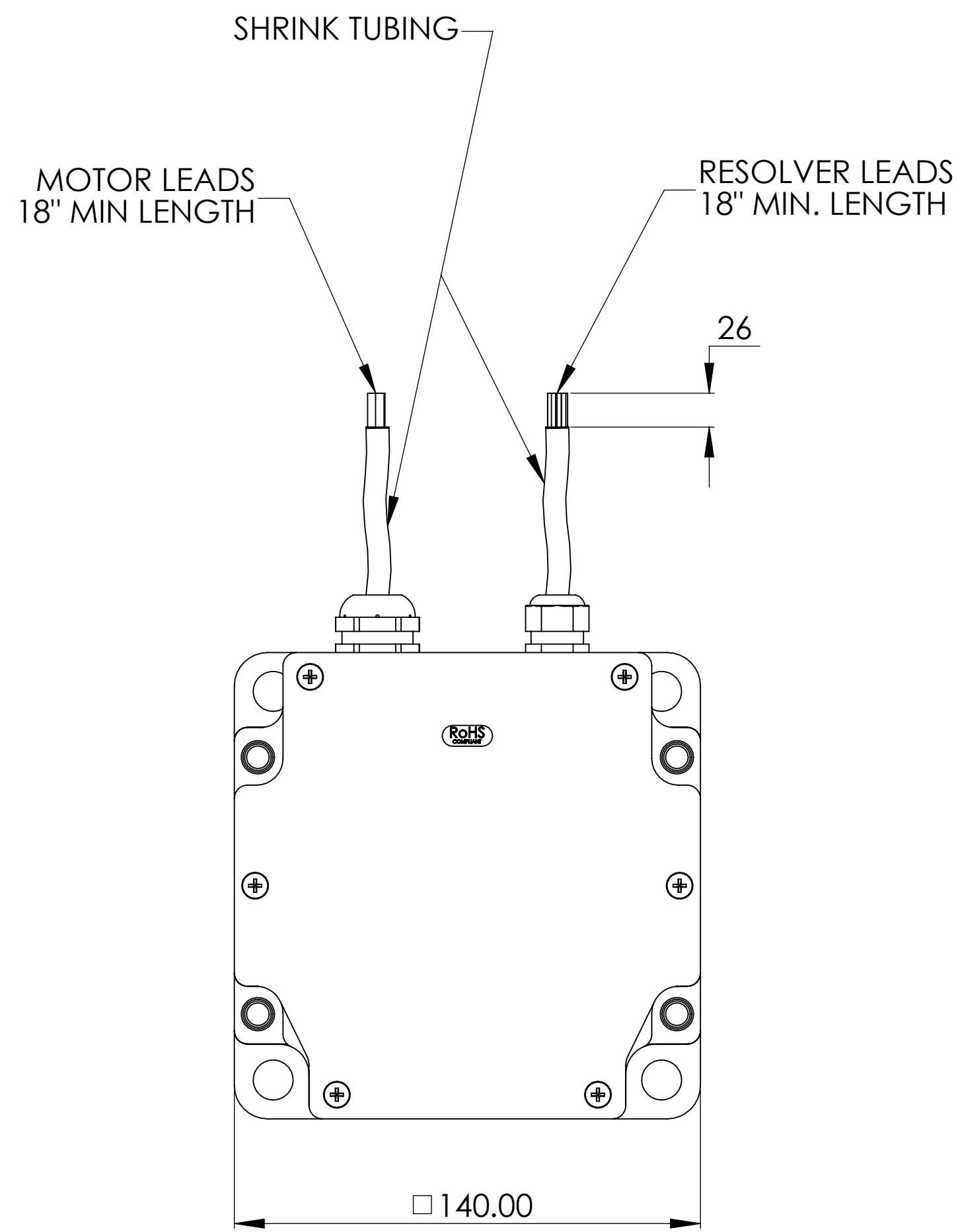


Clockwise rotation, viewed from the motor shaft, results in these waveforms.



RESOLVER CABLE WIRING CODE		
FROM	WIRE COLOR	WIRE SIZE
S4	BLUE	# 28 AWG
S3	BLACK	# 28 AWG
R2	BLACK/WHITE	# 28 AWG
S2	YELLOW	# 28 AWG
S1	RED	# 28 AWG
R1	RED/WHITE	# 28 AWG

MOTOR CABLE WIRING CODE		
FROM	WIRE COLOR	WIRE SIZE
MOTOR M1	WHITE	# 12 AWG
MOTOR M2	BLACK	# 12 AWG
MOTOR M3	RED	# 12 AWG
CASE	GREEN	# 12 AWG



- NOTES:
1. ROTATION: CLOCKWISE MOTOR ROTATION VIEWING DRIVE END OCCURS WHEN PHASE A LEADS PHASE B, PHASE B LEADS PHASE C.

Model #	Part #	DIM "L"
T1402	35018-105	180.4
T1403	35018-106	205.4
T1404	35018-107	230.4
T1405	35018-108	255.4

<b>NOTICE</b> <small>Information contained herein is the sole property of MTI Torque Systems, Inc. This may not be reproduced, copied, or traced in any manner in part or whole without the written permission by MTI Torque Systems, Inc.</small>	<b>MILLIMETERS (mm)</b> TOLERANCES UNLESS OTHERWISE SPECIFIED X ±0.25 XX ±0.25 XXX ±0.100	APPLICATION NEXT ASSY USED ON	 <b>FOR TORQUE SYSTEMS</b> TITLE <b>OUTLINE METRIC W/RESOLVER&amp;LEADS</b>
	THIRD ANGLE PROJECTION <small>Third angle projection (front and back view) is used. Interpret per ASME Y14.5-1994.</small>	ANGLES ±0°-30° MATERIAL FINISH	