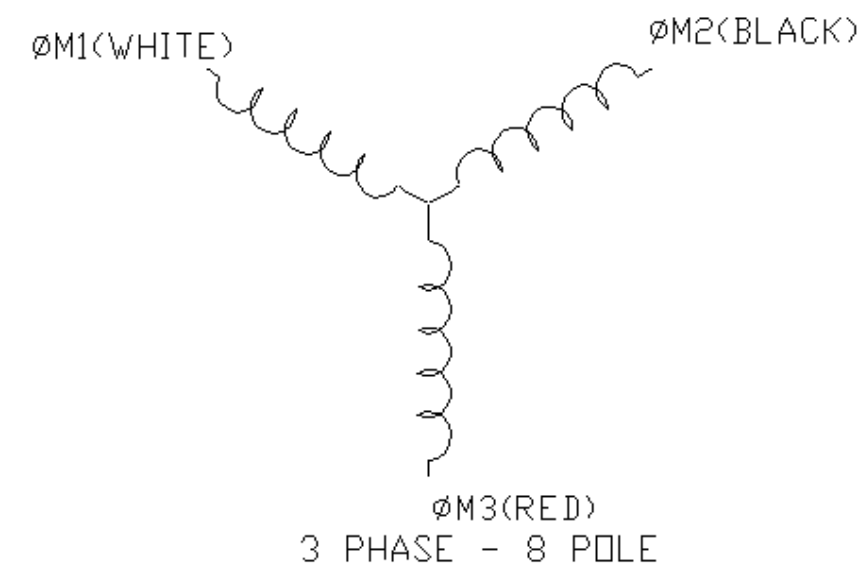
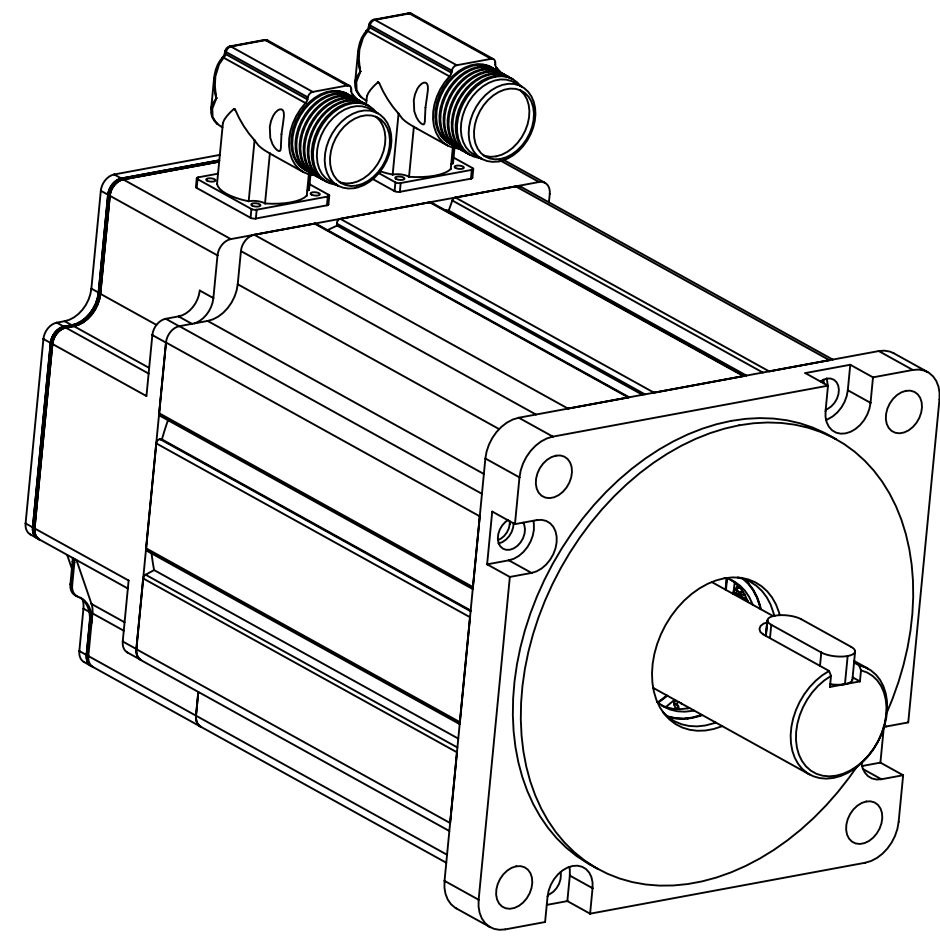
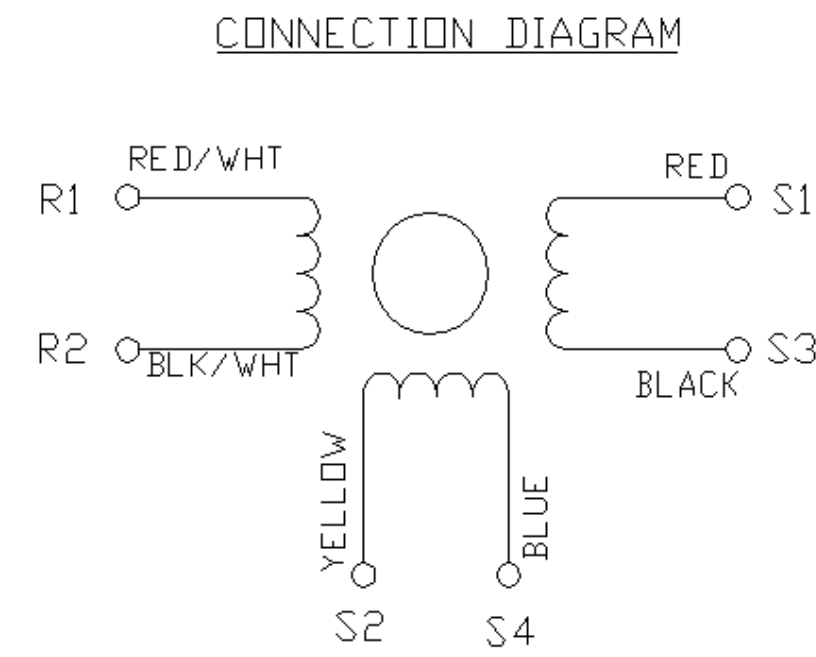
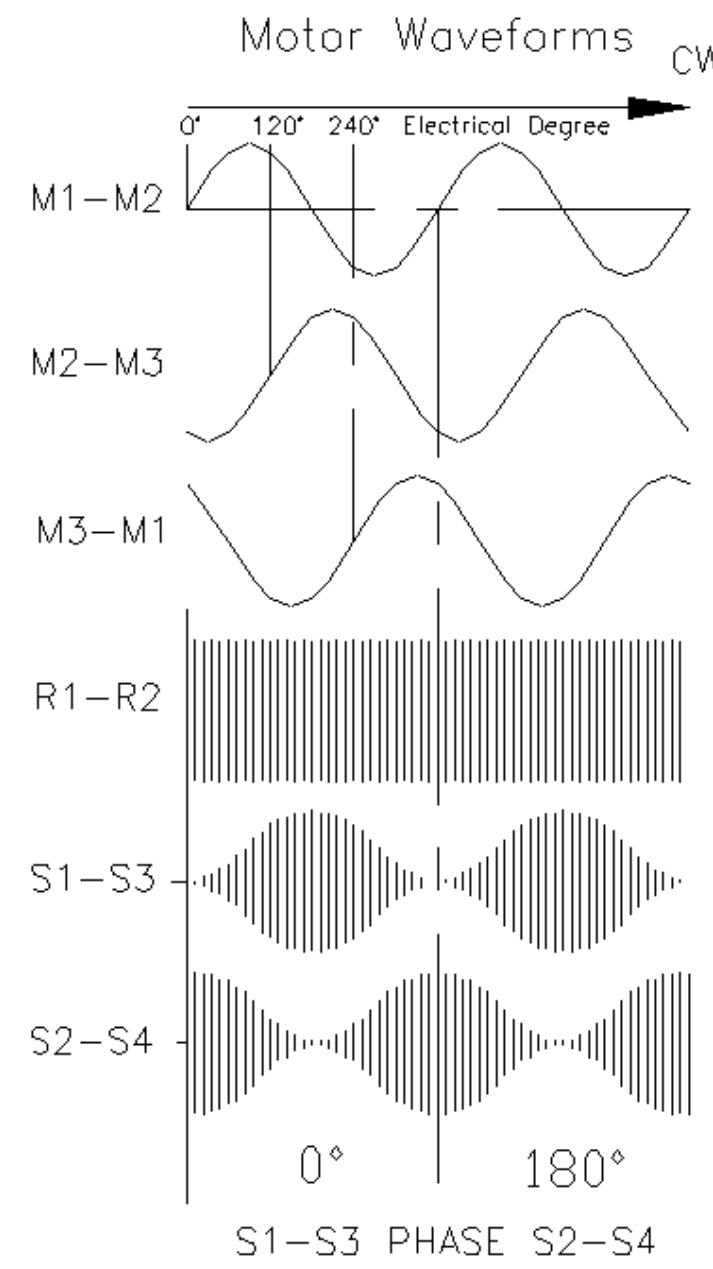


REVISIONS				
REV	ECN	DESCRIPTION	DATE	APP'D
A	DR8262	RELEASED	8/28/06	T.M.

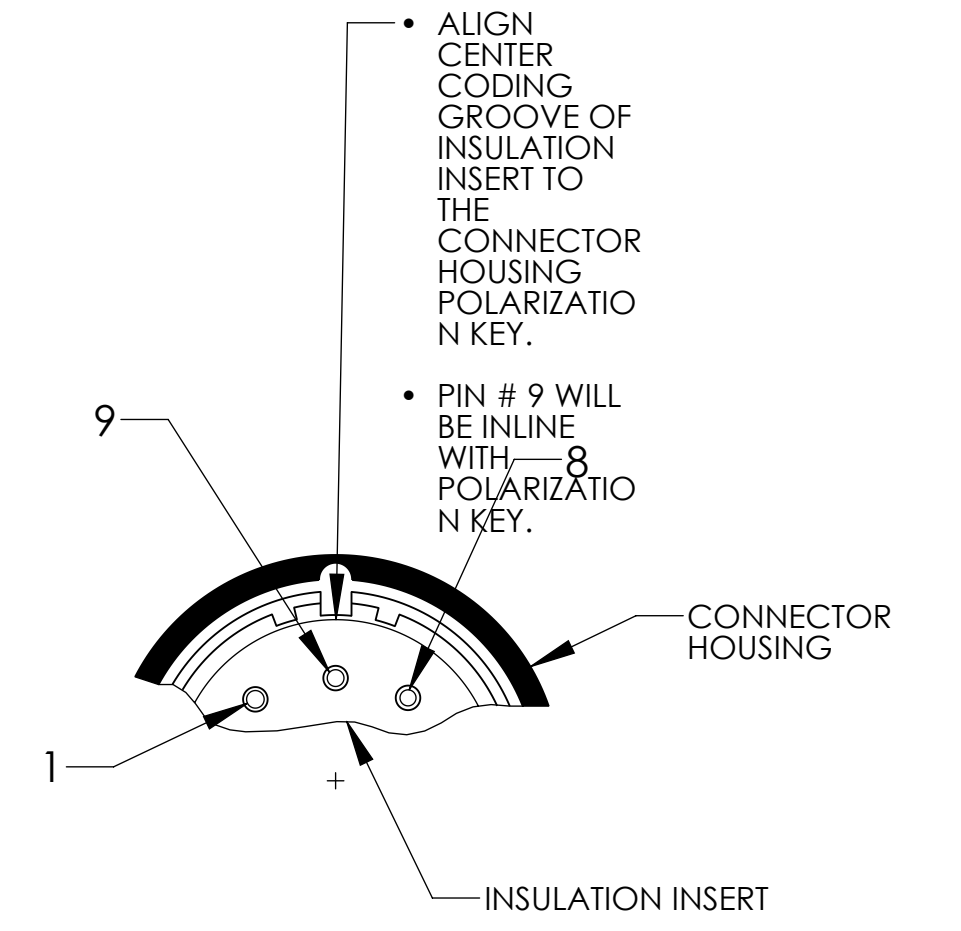


Clockwise rotation, viewed from the motor shaft, results in these waveforms.



RESOLVER CONN. CODE	
FROM	TO PIN
S4	3
S3	4
R2	5
S2	7
S1	8
R1	9

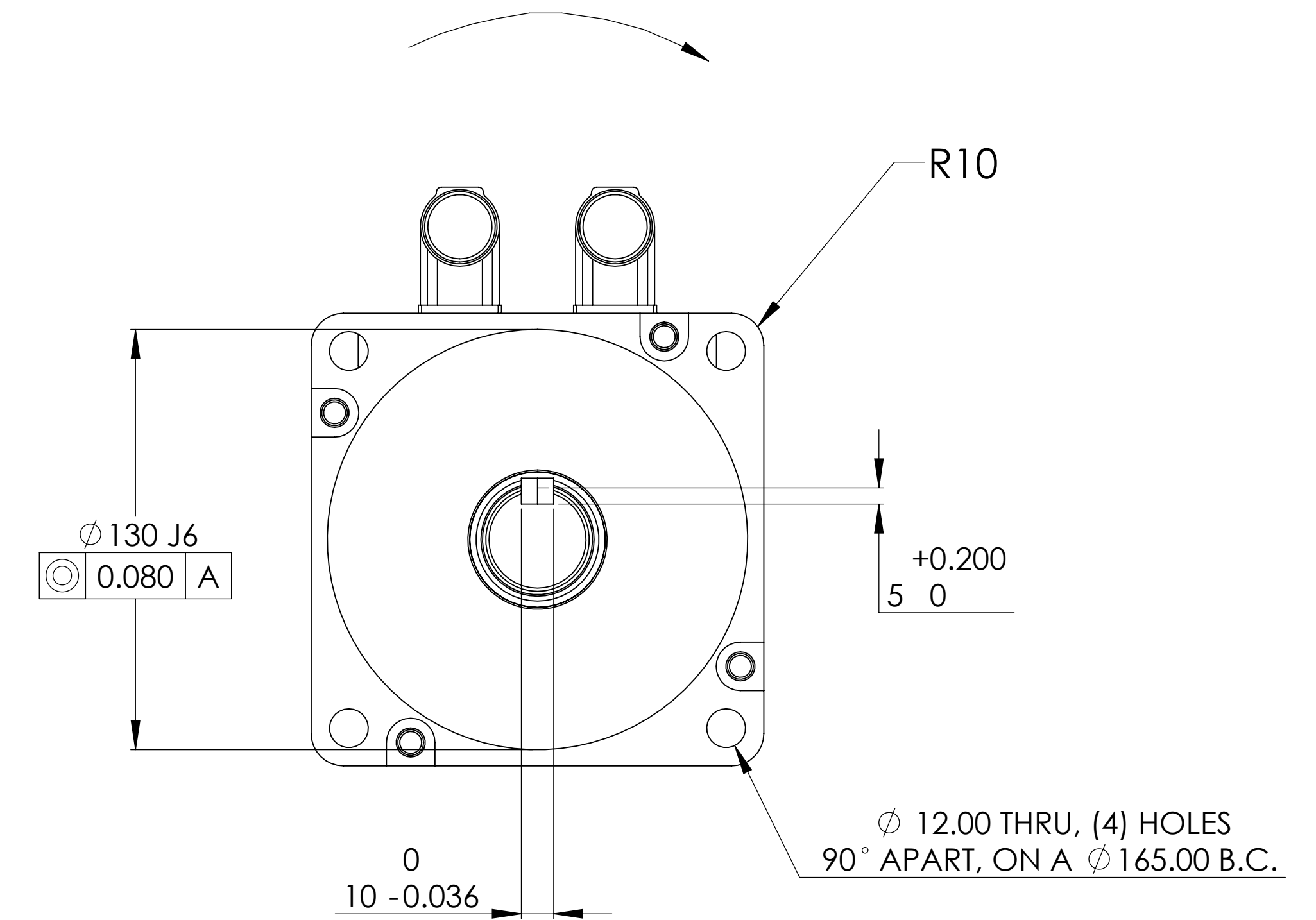
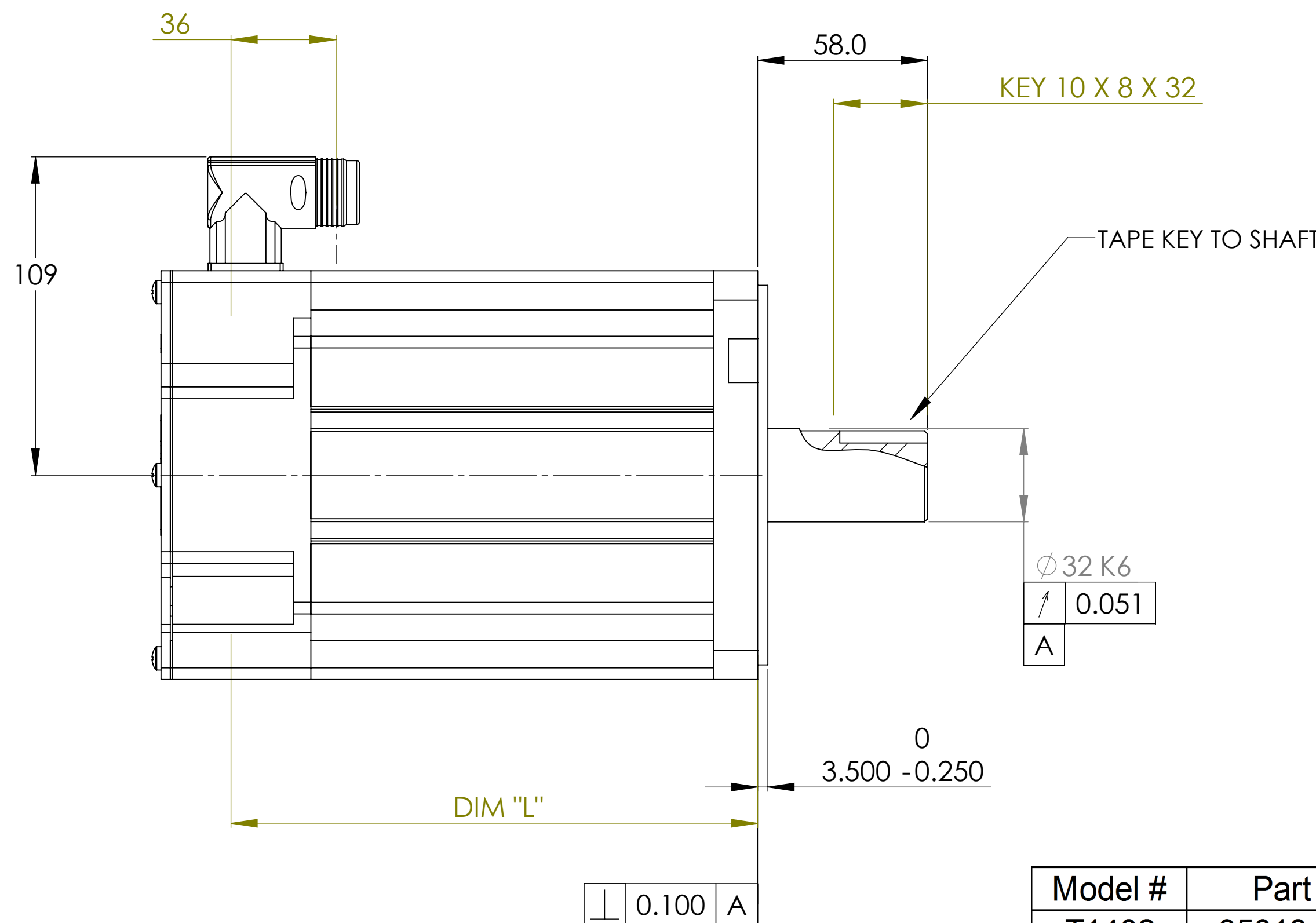
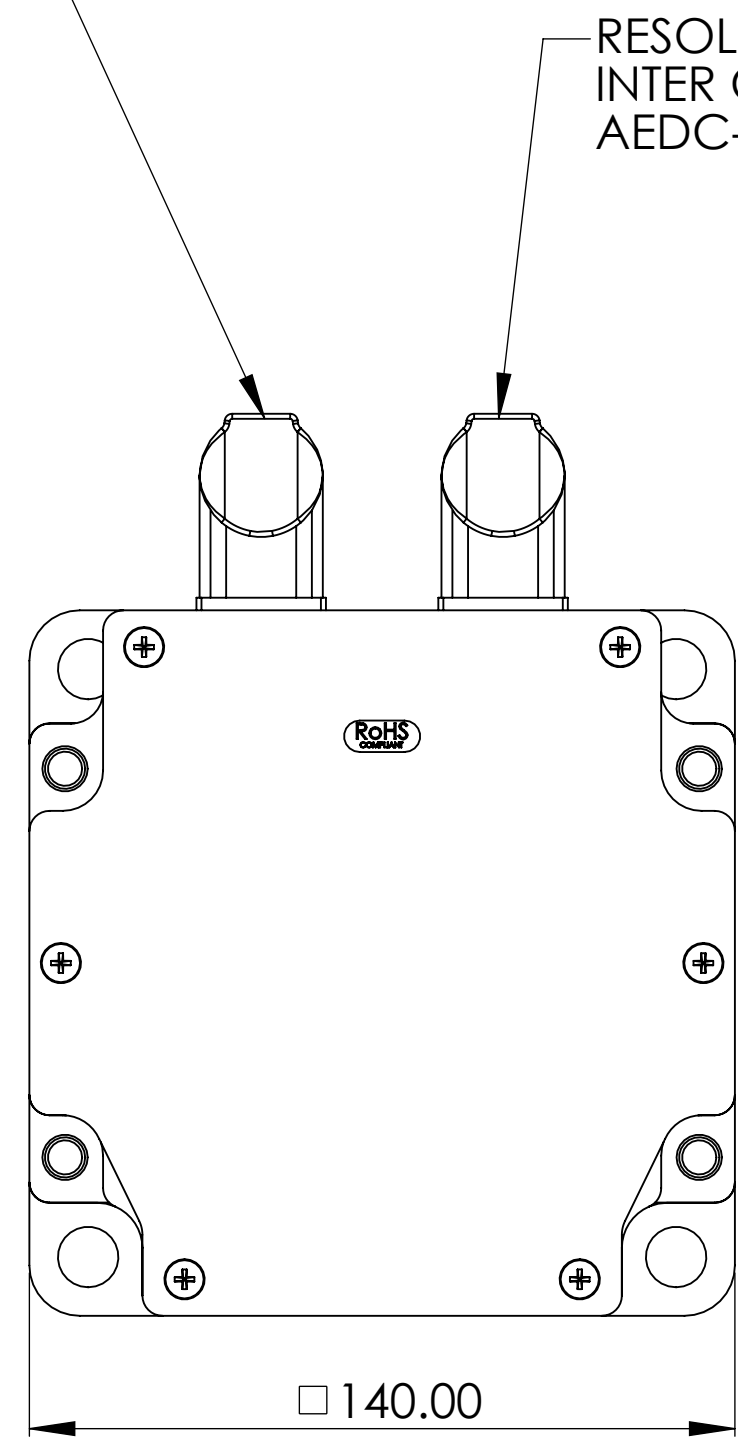
MOTOR CONN. WIRING CODE	
FROM	TO PIN
MOTOR M1	1
MOTOR M3	3
MOTOR M2	4
CASE	



RESOLVER CONNECTOR

MOTOR CONNECTOR
INTER CONTEC P/N:
BEDC-089-NN-00-00-0005-000

RESOLVER CONNECTOR
INTER CONTEC P/N:
AEDC-052-NN-00-00-0012-000



NOTES:

1. ROTATION: CLOCKWISE MOTOR ROTATION VIEWING DRIVE END OCCURS WHEN PHASE A LEADS PHASE B, PHASE B LEADS PHASE C.

Model #	Part #	DIM "L"
T1402	35018-101	180.4
T1403	35018-102	205.4
T1404	35018-103	230.4
T1405	35018-104	255.4

CAD GENERATED DRAWING.
DO NOT MANUALLY UPDATE

NOTICE Information on this drawing is the property of Torque Systems, Inc. and is not to be distributed, copied, or reproduced in any form without the express written permission of Torque Systems, Inc.	MILLIMETERS (mm) TOLERANCES UNLESS OTHERWISE SPECIFIED X ±0.25 XX ±0.25 XXX ±0.100 ANGLES ±0°-30' MATERIAL:	APPLICATION NEXT ASSY USED ON 140mm DRAWN T. MEZHER 8/28/06 CHECKED APPROVED	 Monteideo Technology, Inc. (MTI) A Motor And Control Company TORQUE SYSTEMS TITLE OUTLINE METRIC W/RESOLVER & SM CONN. DATE 5/4/06 DWG. NO. 18-101-104 REV. A SCALE 1:1 SHEET 1 OF 1
	THIRD ANGLE PROJECTION 	FINISH	SHEET 1 OF 1