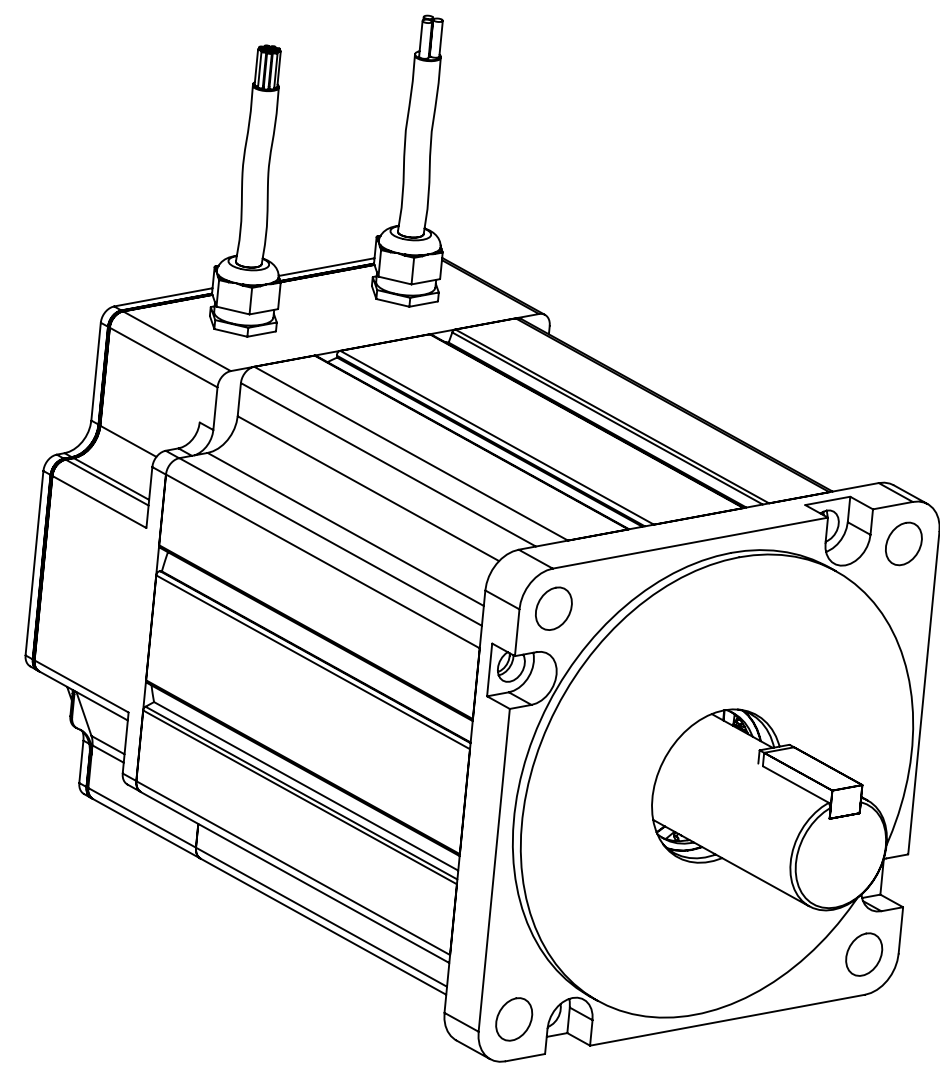
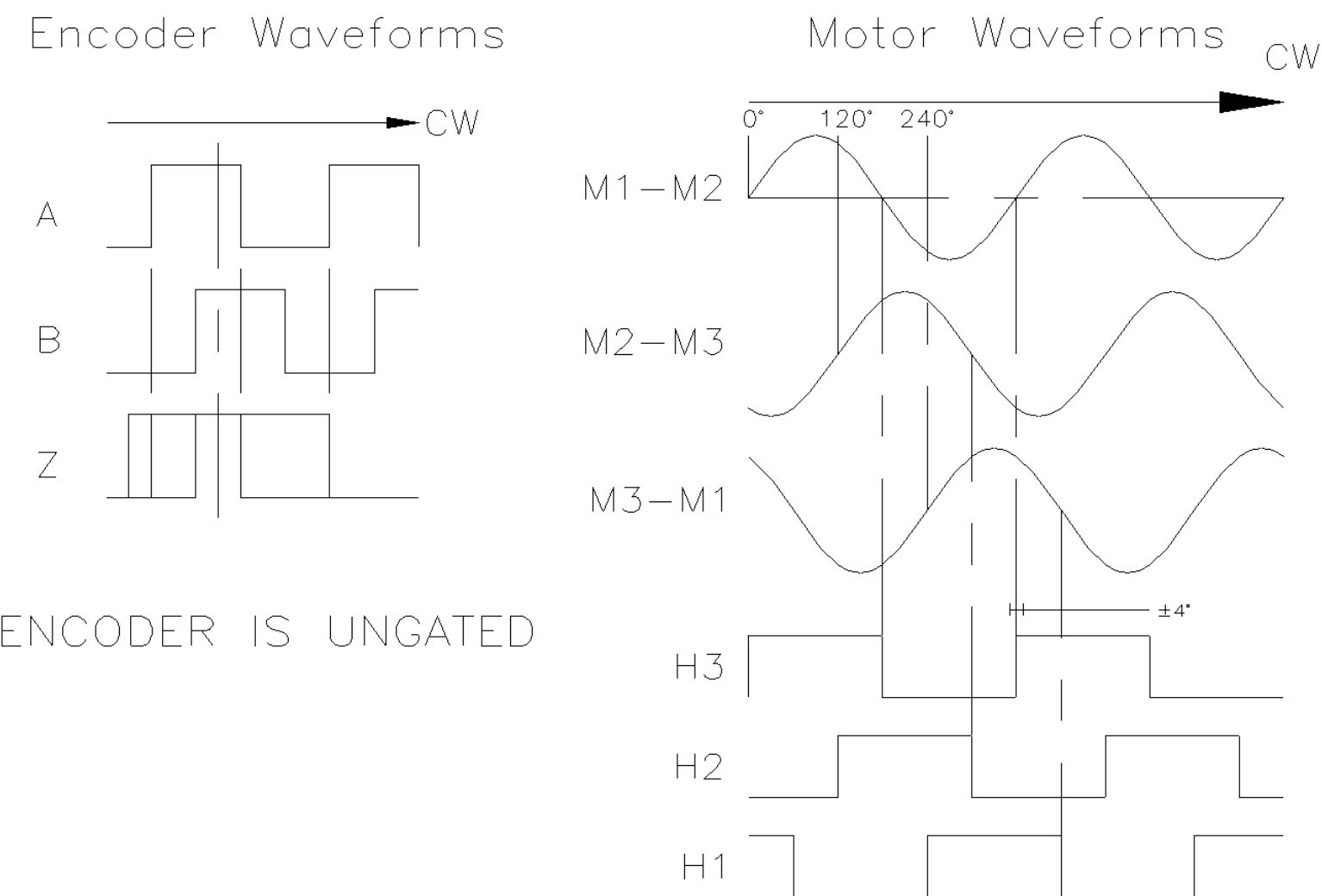


REVISIONS				
REV	ECN	DESCRIPTION	DATE	APP'D
A	DR8265	RELEASED	8/28/06	T.M.



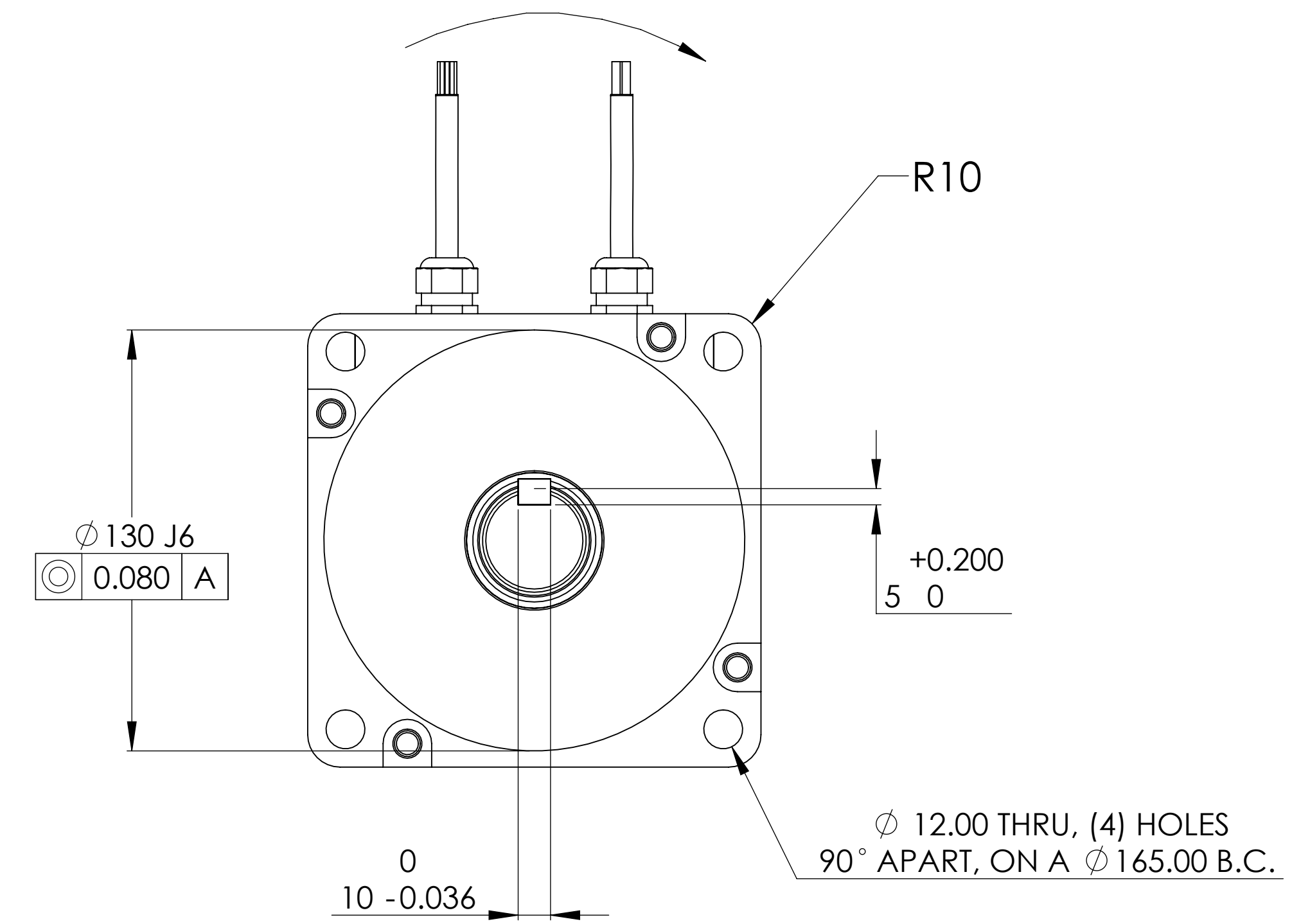
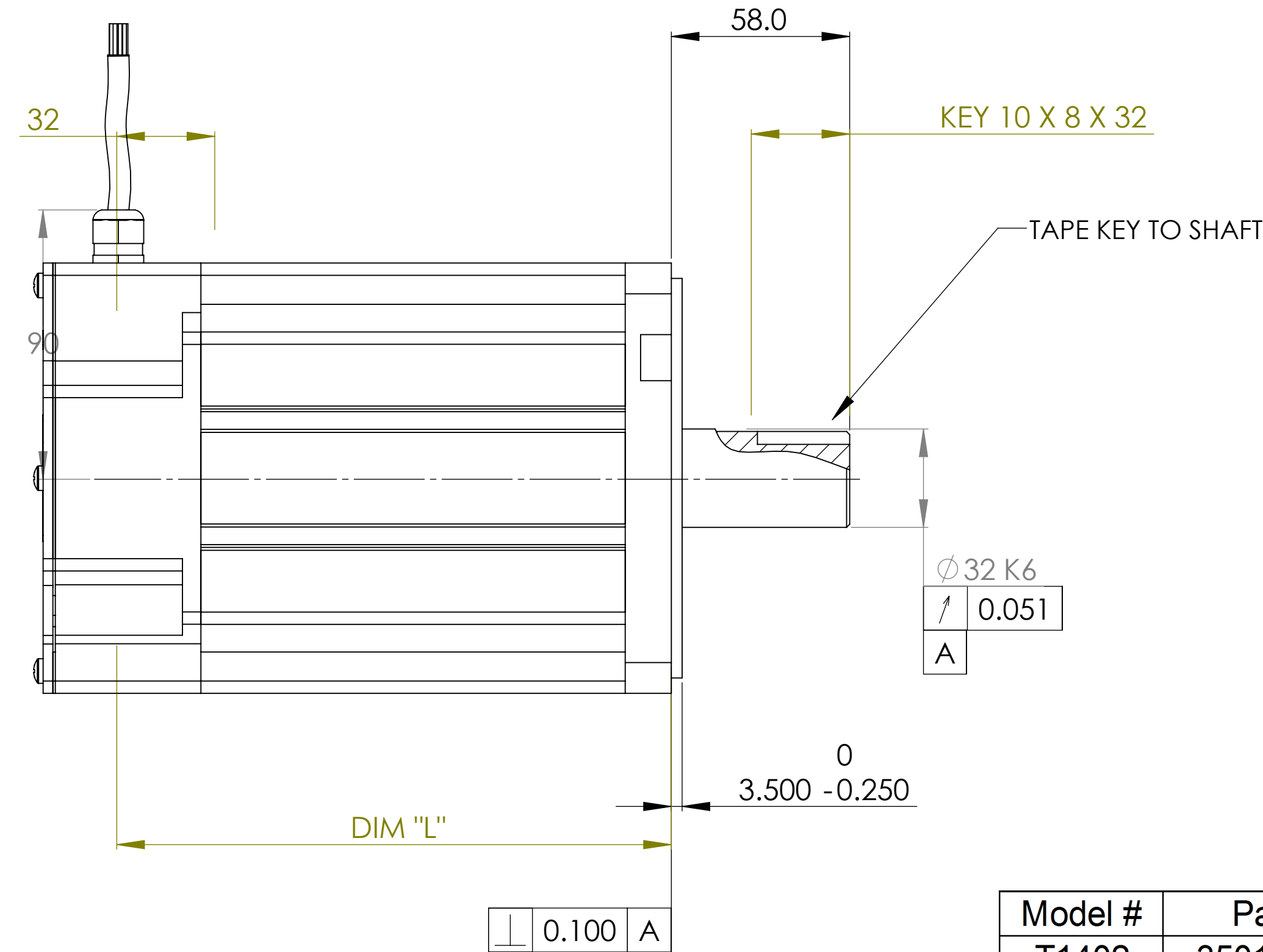
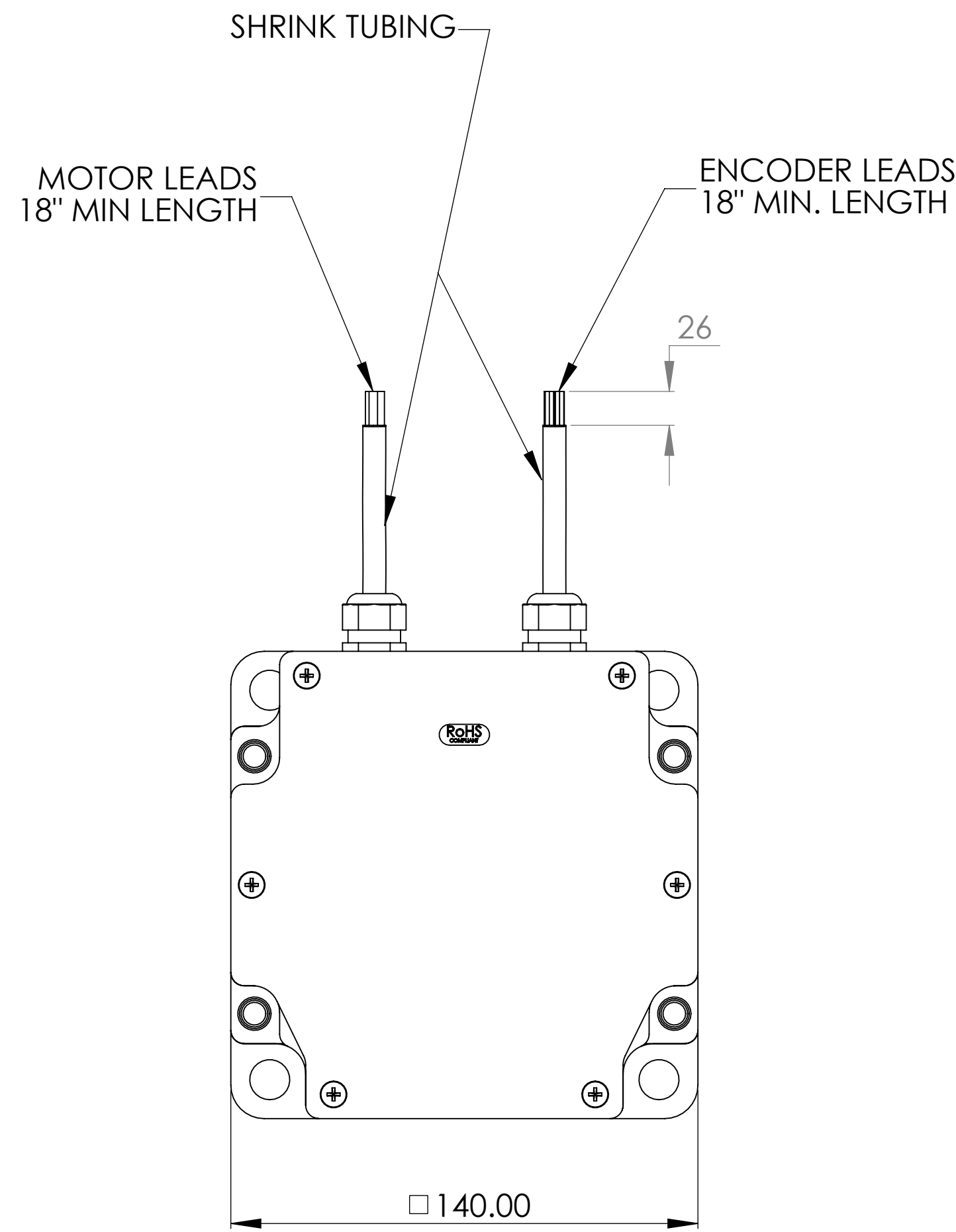
Clockwise rotation, viewed from the motor shaft, results in these waveforms.



ENCODER IS UNGATED

ENCODER CABLE WIRING CODE		
FROM	WIRE COLOR	WIRE SIZE
OUTPUT A	BROWN	# 28 AWG.
OUTPUT A'	WHITE	# 28 AWG.
OUTPUT B	BLUE	# 28 AWG.
OUTPUT B'	GREEN	# 28 AWG.
OUTPUT Z	ORANGE	# 28 AWG.
OUTPUT Z'	YELLOW	# 28 AWG.
OUTPUT U (H3)	VIOLET	# 28 AWG.
OUTPUT V (H2)	BROWN/WHITE	# 28 AWG.
OUTPUT W (H1)	ORANGE/WHITE	# 28 AWG.
CASE GROUND	BLACK WHITE	# 28 AWG.
CABLE SHIELD	DRAIN	# 28 AWG.
+ 5 VDC	RED	# 28 AWG.
COMMON	BLACK	# 28 AWG.

MOTOR CABLE WIRING CODE		
FROM	WIRE COLOR	WIRE SIZE
MOTOR M1	WHITE	# 12 AWG
MOTOR M2	BLACK	# 12 AWG
MOTOR M3	RED	# 12 AWG
CASE	GREEN	# 12 AWG



- NOTES:
1. ROTATION: CLOCKWISE MOTOR ROTATION VIEWING DRIVE END OCCURS WHEN PHASE A LEADS PHASE B, PHASE B LEADS PHASE C.

Model #	Part #	DIM "L"
T1402	35018-113	180.4
T1403	35018-114	205.4
T1404	35018-115	230.4
T1405	35018-116	255.4

CAD GENERATED DRAWING. DO NOT MANUALLY UPDATE.

NOTICE <small>Information on this drawing is the property of Torque Systems, Inc. It is to be used only for the specific application and for the specific quantity and configuration of parts as shown on this drawing. It is not to be used for any other purpose without the written consent of Torque Systems, Inc. All dimensions are in millimeters unless otherwise specified. All tolerances are per ASME Y14.5M-2009. All drawings are the property of Torque Systems, Inc. and are not to be reproduced or distributed without the written consent of Torque Systems, Inc.</small>	MILLIMETERS (mm) TOLERANCES UNLESS OTHERWISE SPECIFIED X ±0.25 XX ±0.25 XXX ±0.100 ANGLES ±0.30° MATERIAL:	APPLICATION NEXT ASSY: _____ USED ON: _____ DRAWN: T. MEZHER 8/30/06 CHECKED: _____ APPROVED: _____	 Monteideo Technology, Inc. (MTI) <small>A Motor And Control Company</small> FORQUE SYSTEMS TITLE: OUTLINE METRIC W/ENCODER & SM LEADS. SIZE: D DWG. NO.: 545735018-113-116 REV. A SCALE: 1:1 SHEET 1 OF 1
	FINISH: _____ THIRD ANGLE PROJECTION	DATE: 8/30/06 DRAWN: T. MEZHER CHECKED: _____ APPROVED: _____	TITLE: OUTLINE METRIC W/ENCODER & SM LEADS. DWG. NO.: 545735018-113-116 REV. A SCALE: 1:1 SHEET 1 OF 1

CAD FILE: 35018-113-116.SLDDRW