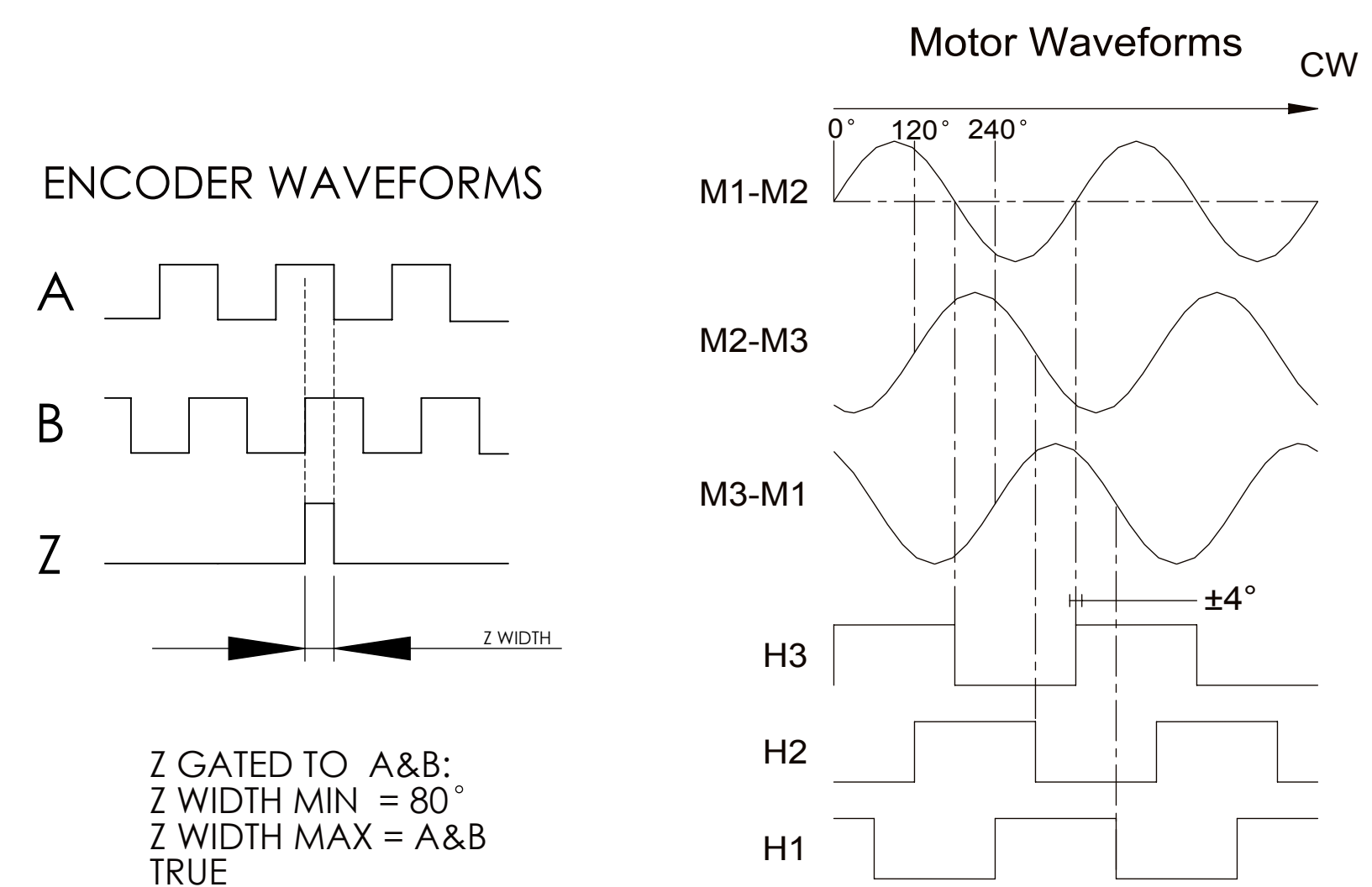


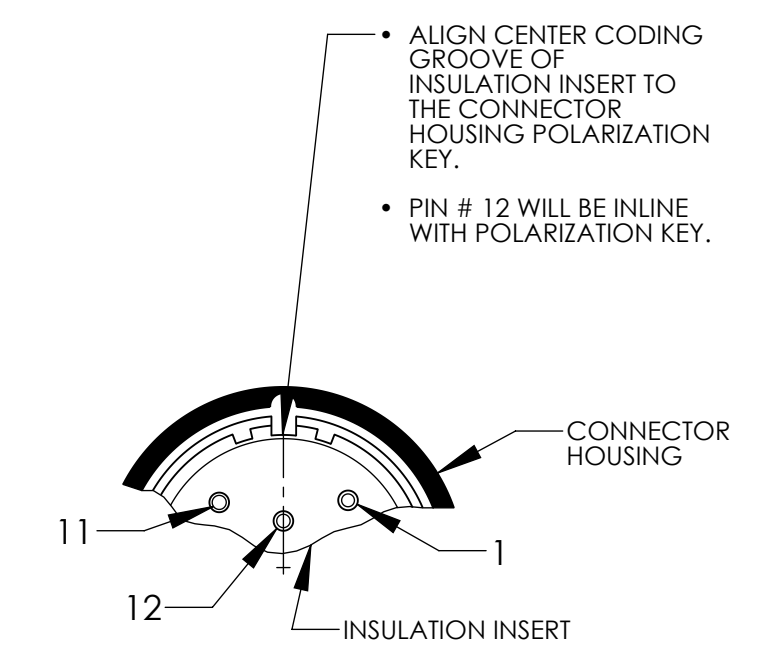
REVISIONS				
REV	ECN	DESCRIPTION	DATE	APP'D
A	DR8255	RELEASED	8/28/06	T.M.
B	ECN3755	NOTE SAID UNGATED NOW SAYS GATED TO A	10/02/08	J.S.

Clockwise rotation, viewed from the motor shaft, results in these waveforms.



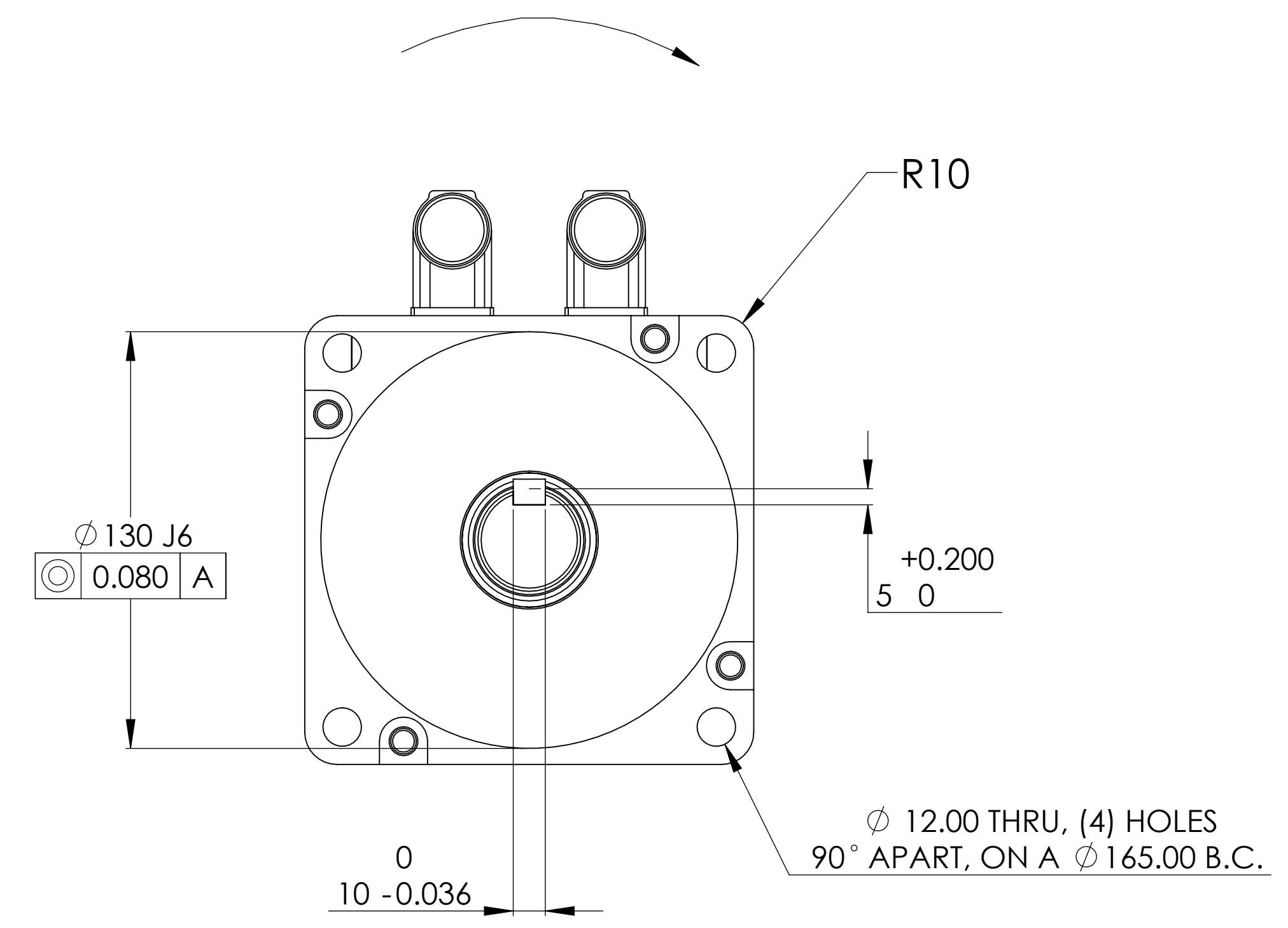
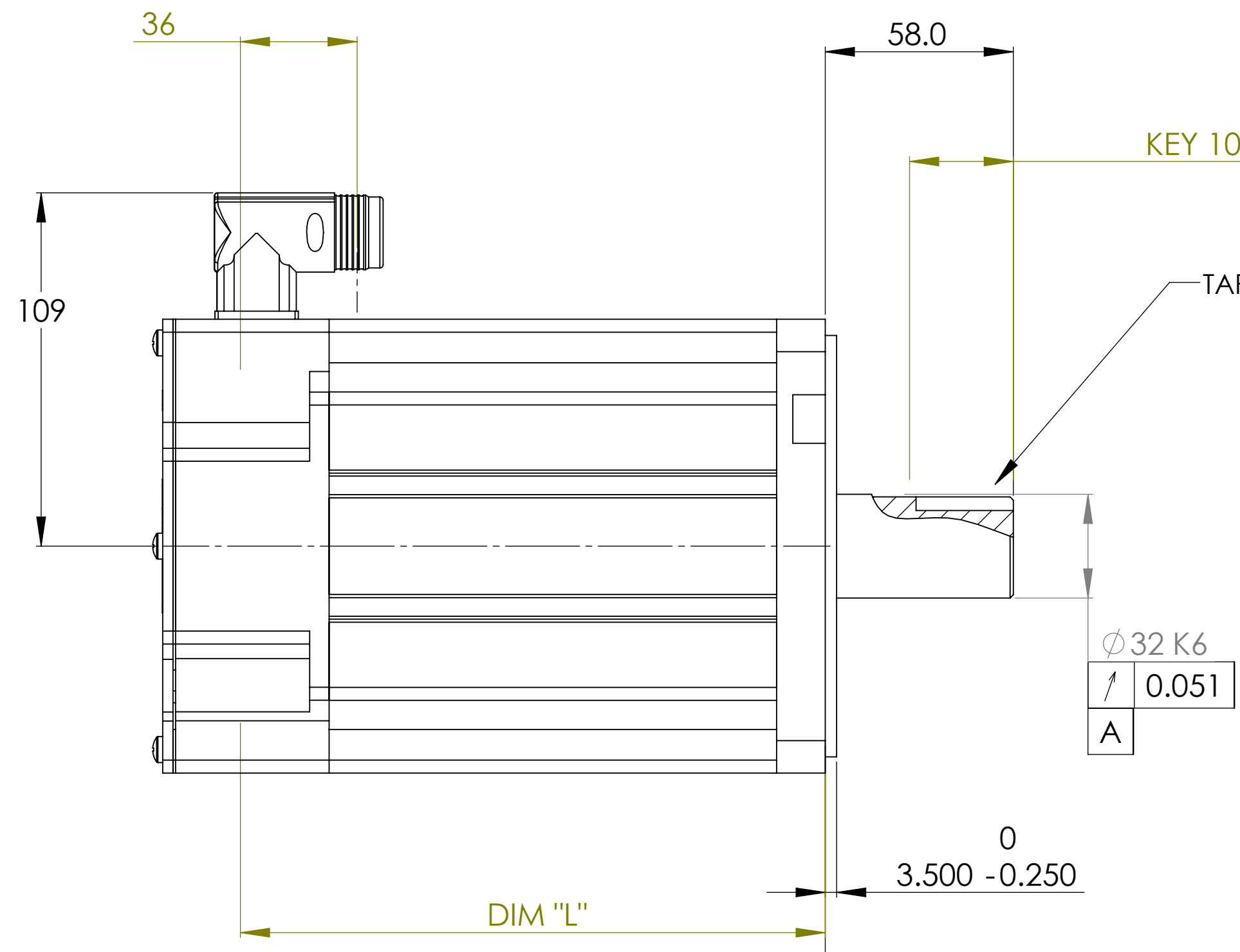
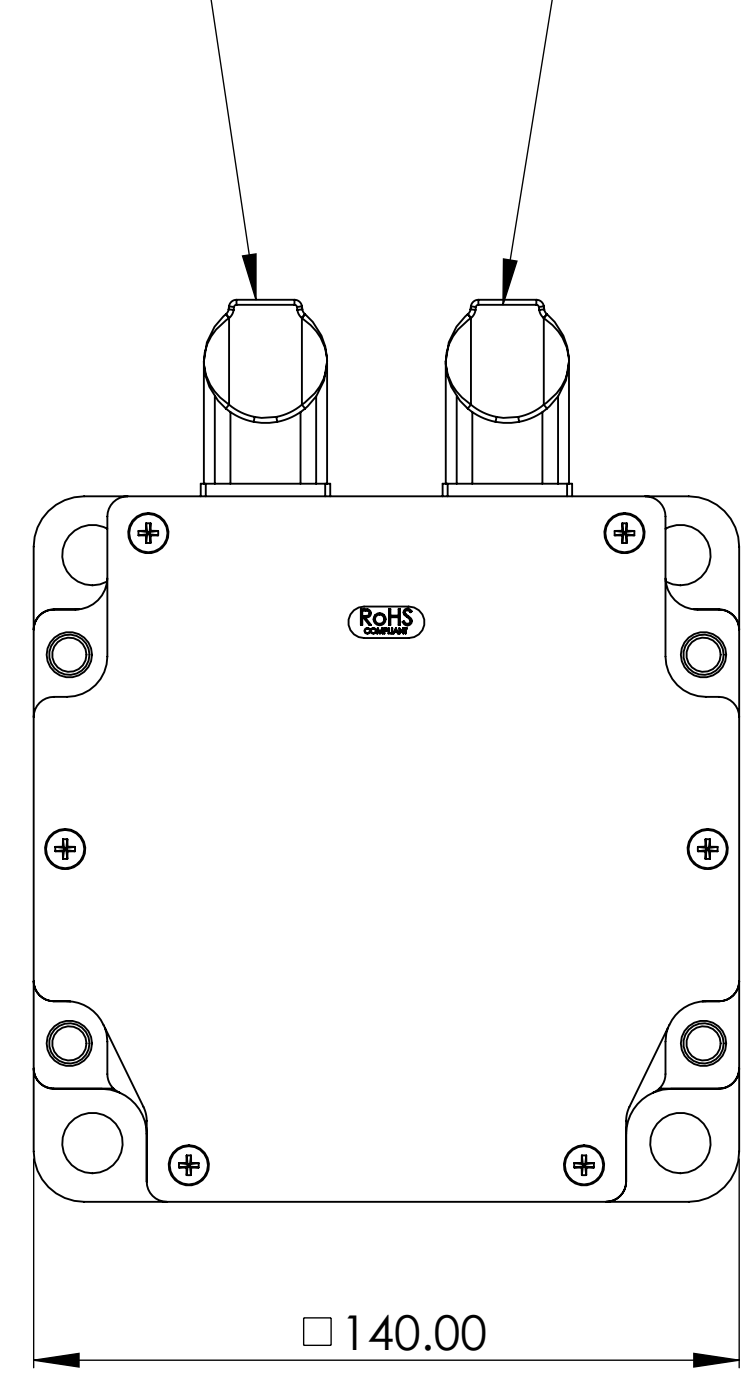
ENCODER CONN WIRING	
FROM	TO PIN
OUTPUT B	1
OUTPUT B'	2
OUTPUT A	3
OUTPUT A'	4
OUTPUT Z	5
OUTPUT Z'	6
COMMON	7
+ 5 VDC	10
CASE GROUND	11
OUTPUT U (H3)	15
OUTPUT V(H2)	16
OUTPUT W(H1)	17

MOTOR CONN. WIRING CODE	
FROM	TO PIN
MOTOR M1	1
MOTOR M3	3
MOTOR M2	4
CASE	



MOTOR CONNECTOR  
INTER CONTEC P/N:  
BEDC-089-NN-00-00-0005-000

ENCODER CONNECTOR  
INTER CONTEC P/N:  
AEDC-113-NN-00-00-0012-000



Model #	Part #	DIM "L"
T1402	35018-109	180.4
T1403	35018-110	205.4
T1404	35018-111	230.4
T1405	35018-112	255.4

NOTES:  
1. ROTATION: CLOCKWISE MOTOR ROTATION VIEWING DRIVE END OCCURS WHEN PHASE A LEADS PHASE B, PHASE B LEADS PHASE C.

CAD GENERATED DRAWING.  
DO NOT MANUALLY UPDATE.

<b>NOTICE</b> <small>Information on this drawing is the property of Torque Systems, Inc. and is not to be distributed, copied, or reproduced in any form without the written permission of Torque Systems, Inc. Torque Systems, Inc. is not responsible for any errors or omissions in this drawing. Torque Systems, Inc. is not responsible for any damage or injury resulting from the use of this drawing. Torque Systems, Inc. is not responsible for any damage or injury resulting from the use of this drawing.</small>	<b>MILLIMETERS (mm)</b> TOLERANCES UNLESS OTHERWISE SPECIFIED X ±0.25 XX ±0.25 XXX ±0.100 ANGLES ±0°-30' MATERIAL	APPLICATION NEXT ASSY USED ON 140mm	 <b>Montevideo Technology, Inc. (MTI)</b> <small>A Motor And Control Company</small> <b>TORQUE SYSTEMS</b> TITLE <b>OUTLINE METRIC W/ENCODER &amp; SM CONN.</b>
	THIRD ANGLE PROJECTION <small>Third angle projection is the preferred method of projection and shall be used unless otherwise specified. Interpret per ASME Y14.5M-1994.</small>	DRAWN T. MEZHER 8/28/06 CHECKED APPROVED	

CAD FILE: 35018-109-112.SLDDRW