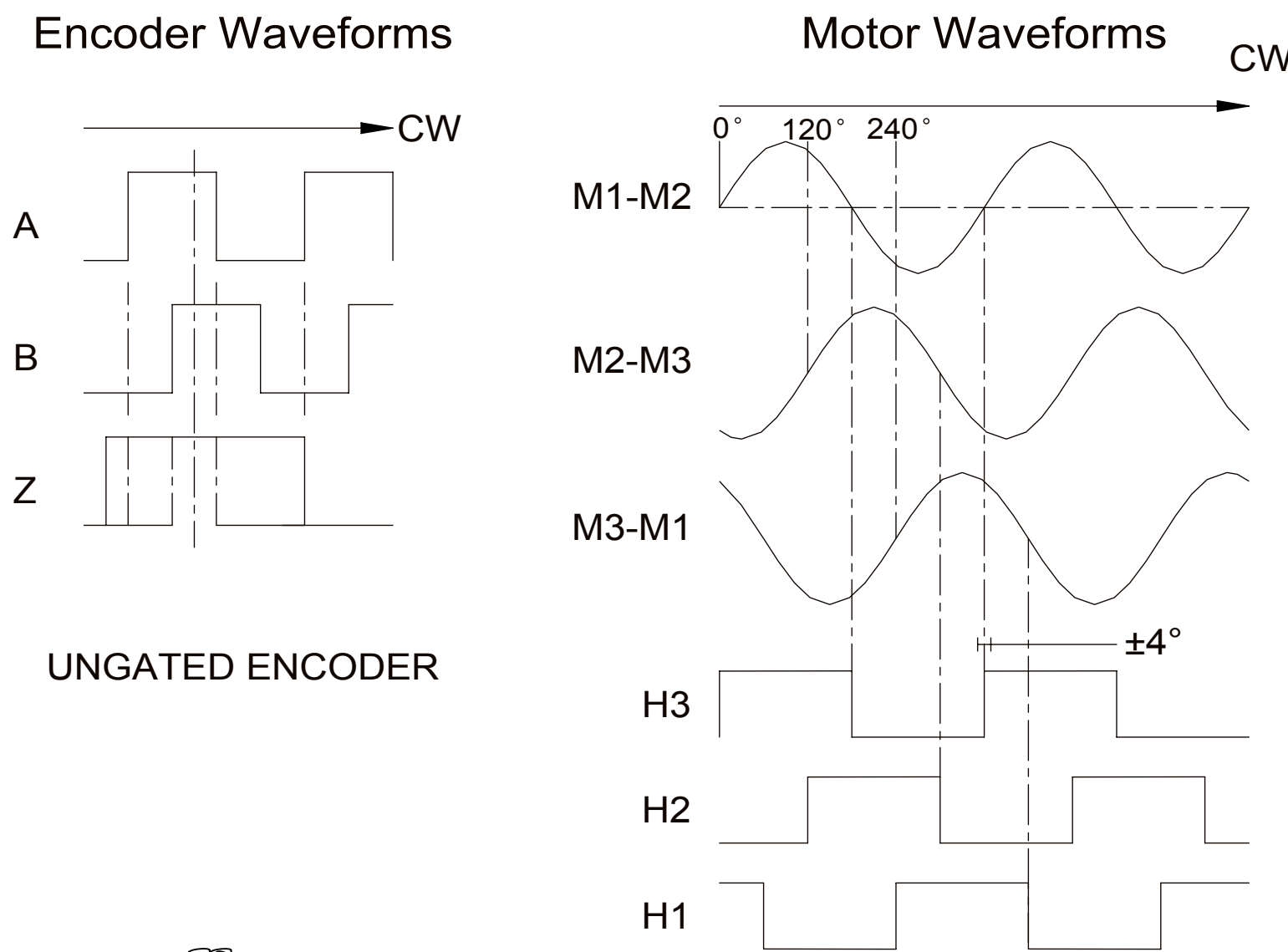


REVISIONS				
REV	ECN	DESCRIPTION	DATE	APP'D
A	DR8695	INITIAL RELEASE	10/30/07	J.S.

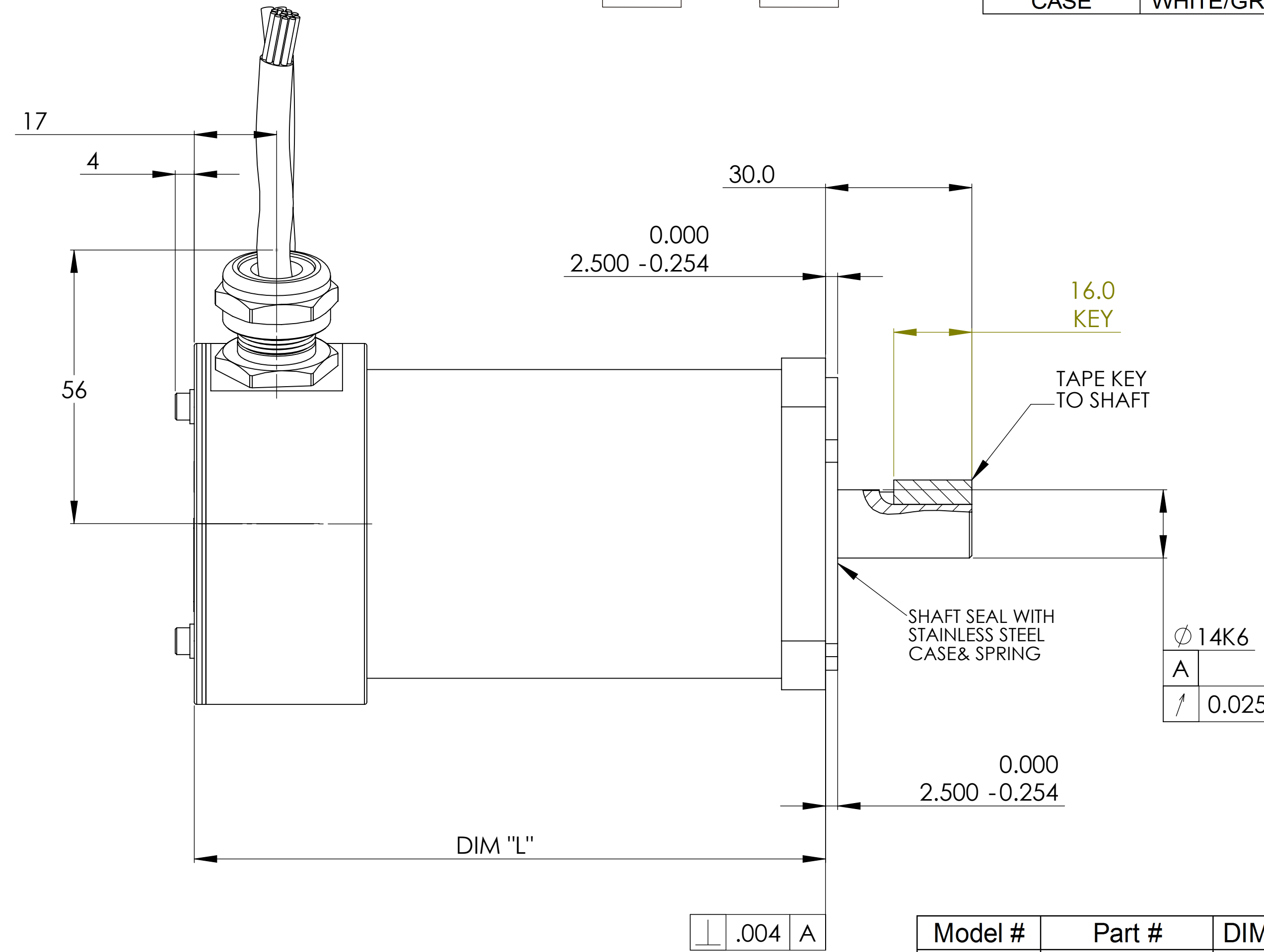
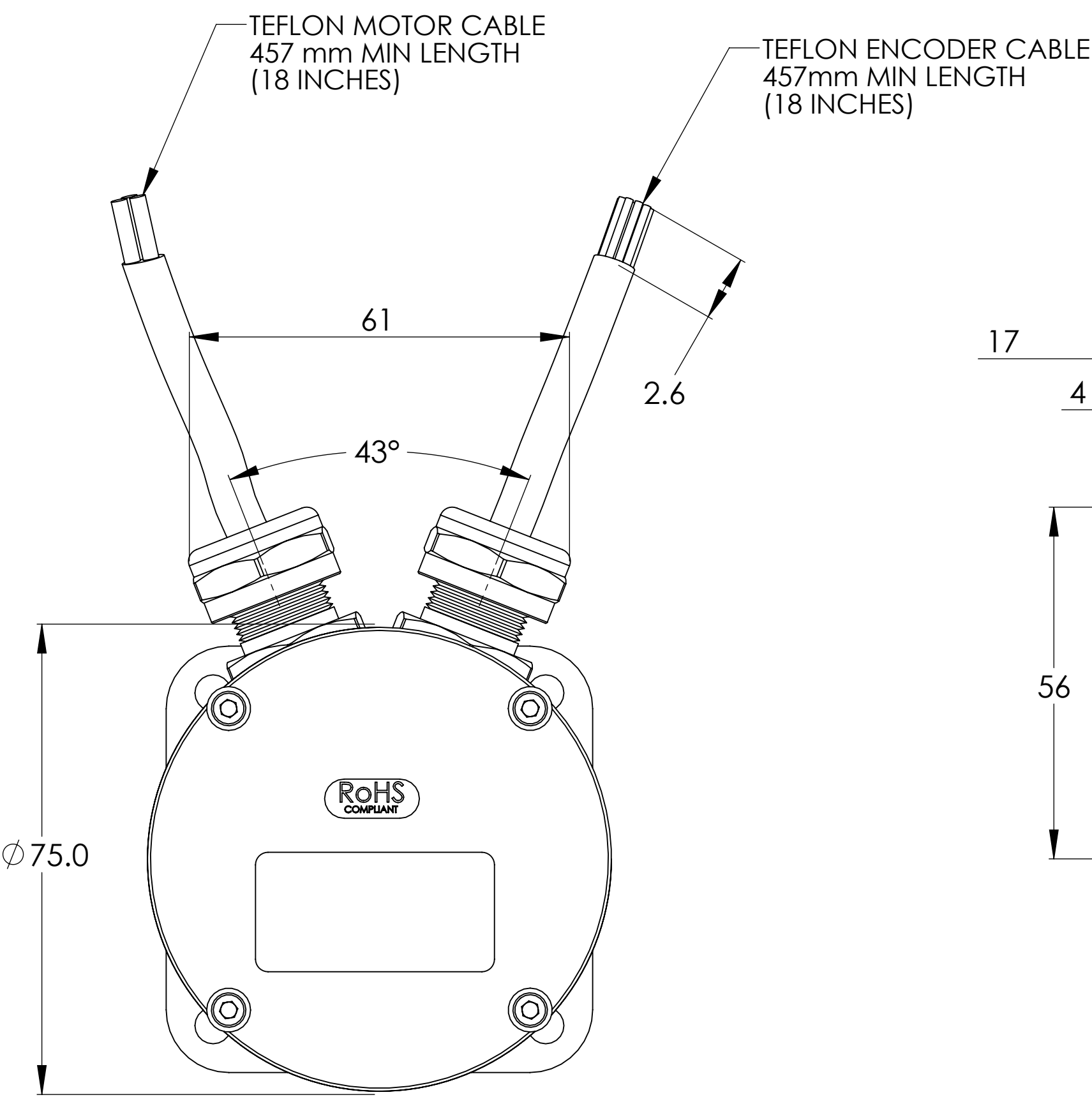
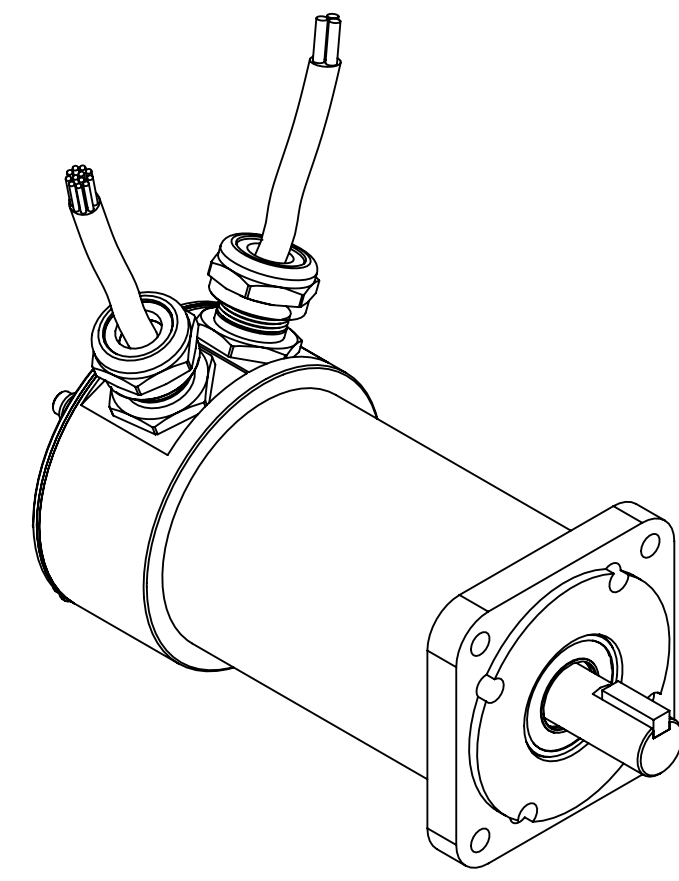
Clockwise rotation, viewed from the motor shaft, results in these waveforms.



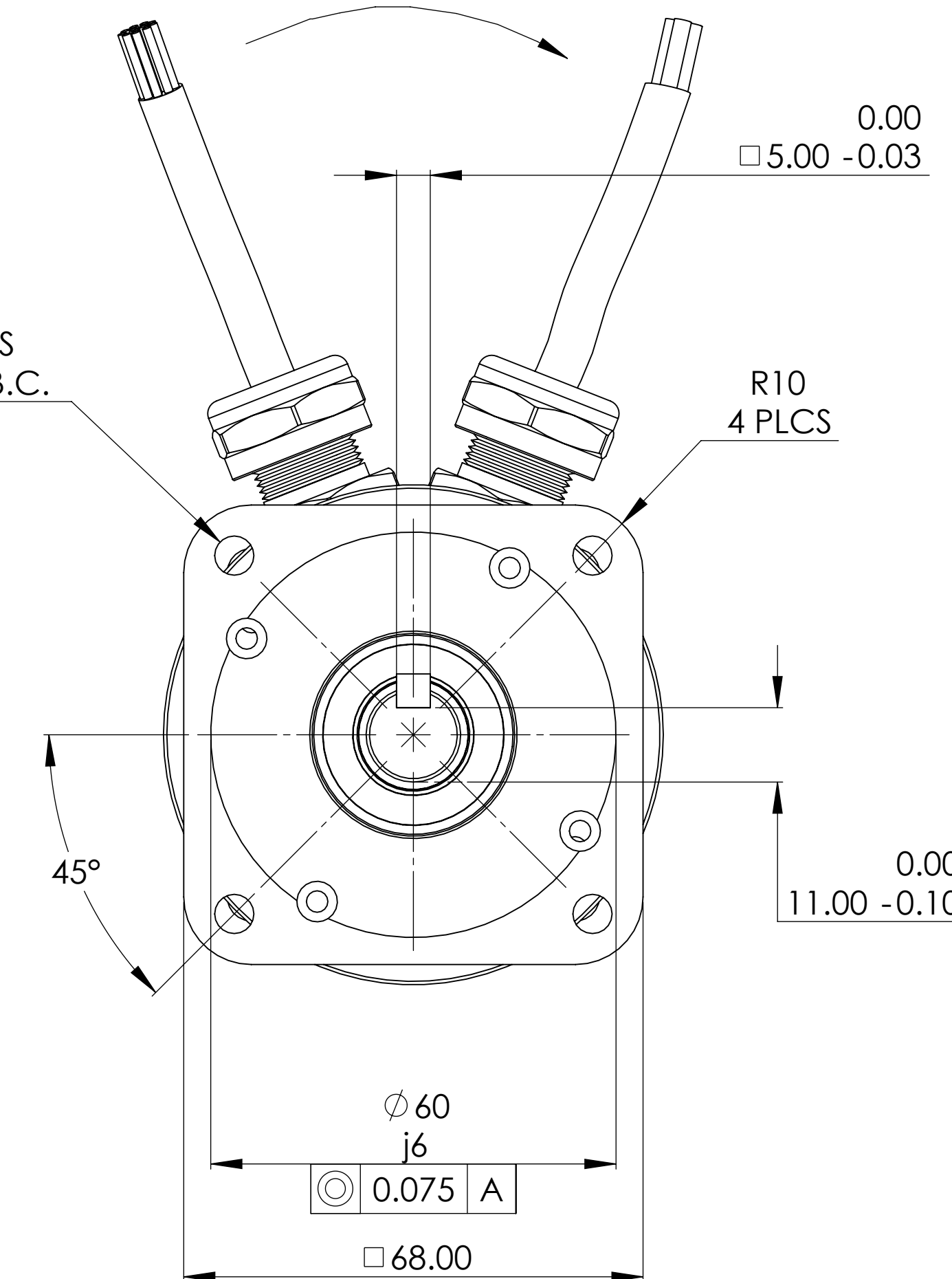
ENCODER CABLE WIRING CODE		
FROM	WIRE COLOR	WIRE SIZE
OUTPUT A	BROWN	# 28 AWG.
OUTPUT A'	WHITE	# 28 AWG.
OUTPUT B	BLUE	# 28 AWG.
OUTPUT B'	GREEN	# 28 AWG.
OUTPUT Z	ORANGE	# 28 AWG.
OUTPUT Z'	YELLOW	# 28 AWG.
OUTPUT U (H3)	VIOLET	# 28 AWG.
OUTPUT V (H2)	BROWN/WHITE	# 28 AWG.
OUTPUT W (H1)	ORANGE/WHITE	# 28 AWG.
CASE GROUND	BLACK/WHITE	# 28 AWG.
CABLE SHIELD	DRAIN	# 28 AWG.
+ 5 VDC	RED	# 28 AWG.
COMMON	BLACK/WHITE	# 28 AWG.
THERMOSTAT	RED/WHITE	# 28 AWG.
THERMOSTAT	YELLOW/WHITE	# 28 AWG.

MOTOR CABLE WIRING CODE		
FROM	WIRE COLOR	WIRE SIZE
MOTOR M1	WHITE	# 16 AWG
MOTOR M2	WHITE/BLUE	# 16 AWG
MOTOR M3	WHITE/ORANGE	# 16 AWG
CASE	WHITE/GREEN	# 16 AWG

NOTE:
TEMPERATURE SENSOR:
CONTACTS: NORMALLY CLOSED
MAX AMPS: 6 AMP
RATED VOLTAGE: 24VDC



Ø 5.800 THRU (4) HOLES
90° APART, ON A 75.00 B.C.



- NOTES:
1. ROTATION: CLOCKWISE MOTOR ROTATION VIEWING DRIVE END OCCURS WHEN PHASE A LEADS PHASE B, PHASE B LEADS PHASE C.
 2. MOTOR IS SEALED TO IP67 STANDARDS:
-NO INGRESS OF DUST
-INGRESS OF WATER CAUSING HARMFUL EFFECTS SHALL NOT BE POSSIBLE WHEN THE ENCLOSURE IS IMMERSSED IN WATER UNDER STANDARDIZED CONDITIONS OF PRESSURE AND TIME (UP TO 1m OF SUBMERSION)

Model #	Part #	DIM "L" (mm)
S0601	33018-017	110
S0602	33018-018	129
S0603	33018-019	148
S0604	33018-020	167

ALL DIMENSIONS ARE IN MILLIMETERS

NOTICE <small>Information contained herein is the sole property of MTI Torque Systems, Inc. This may not be reproduced, copied, or traced in any manner in part or whole without the written permission of MTI Torque Systems, Inc.</small>	MILLIMETERS (mm) TOLERANCES UNLESS OTHERWISE SPECIFIED X ±0.25 XX ±0.25 XXX ±0.100 ANGLES ±1°-30° MATERIAL N/A	APPLICATION		 TORQUE SYSTEMS
		NEXT ASSY	USED ON	
THIRD ANGLE PROJECTION <small>Third angle projection (front view) shall be used unless otherwise specified. Interpret per ASME Y14.5-2009.</small>		DATE	DWG. NO.	REV.
FINISH N/A		D	54572	33018-017-020
SCALE 1:1		SHEET 1 OF 1		A

METRIC STAINLESS STEEL W/ENC, SHAFT SEAL, TEFL CABLE

CAD FILE: 33018-017-020.SLDDRW