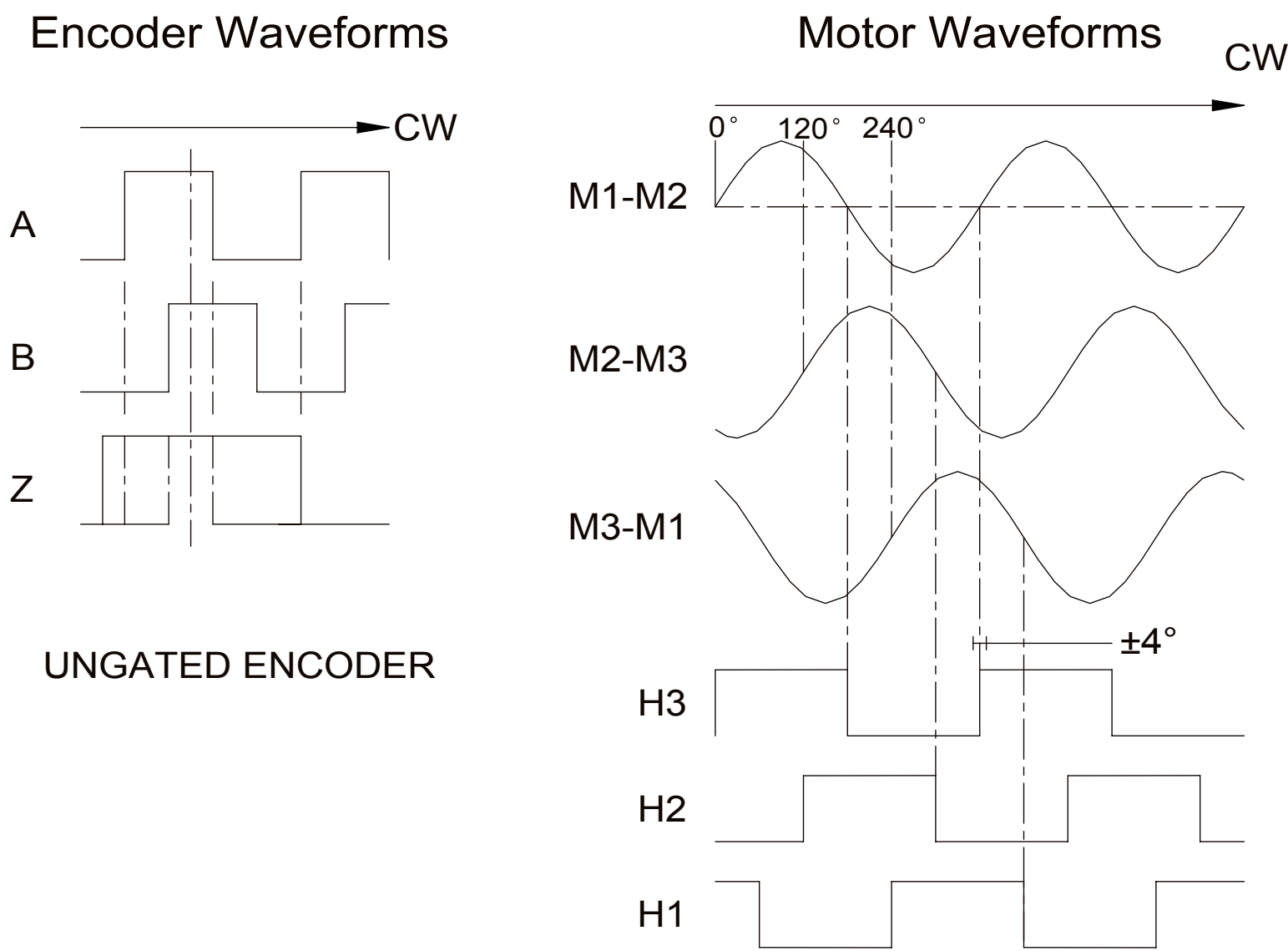


Clockwise rotation, viewed from the motor shaft, results in these waveforms.

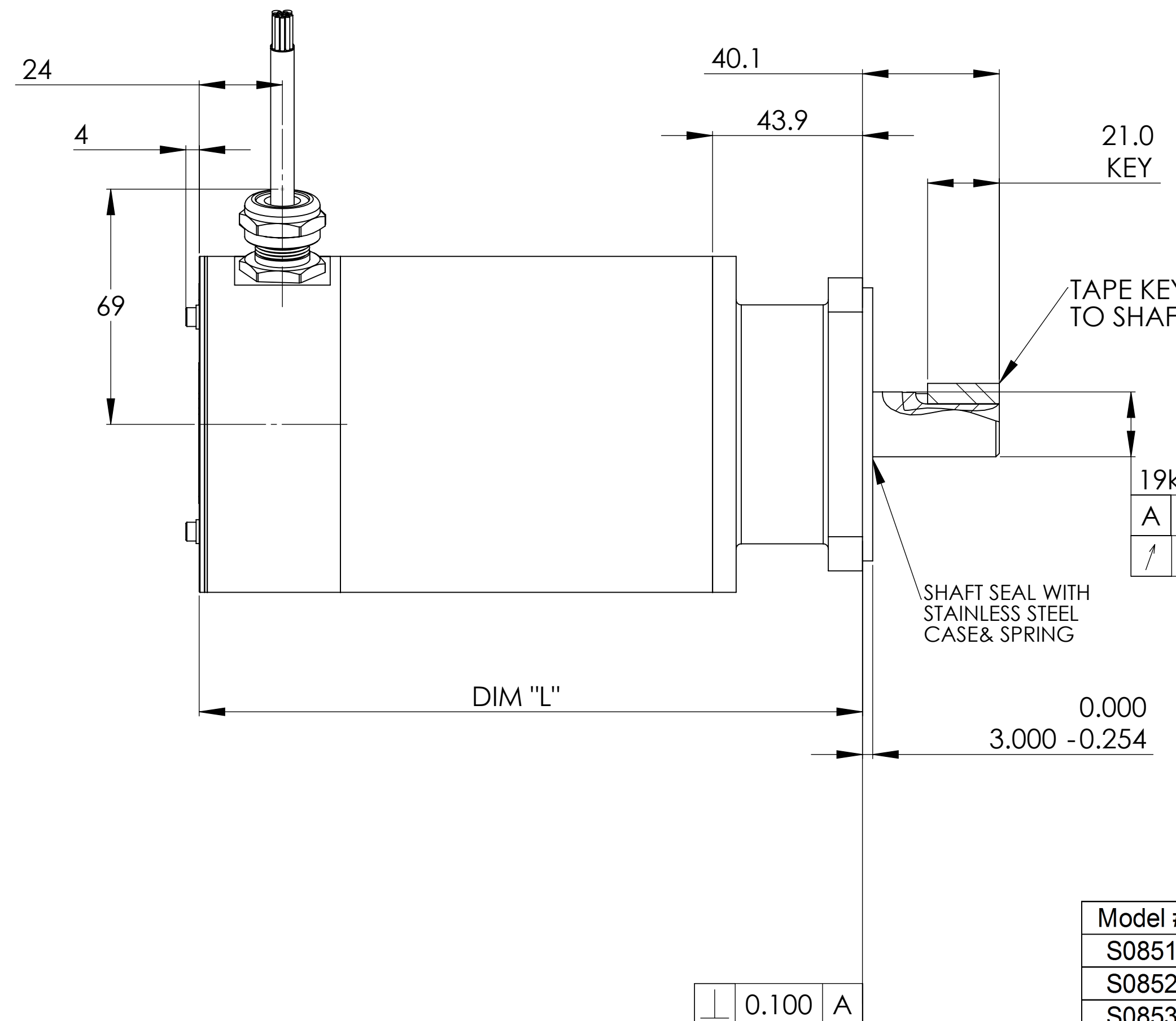
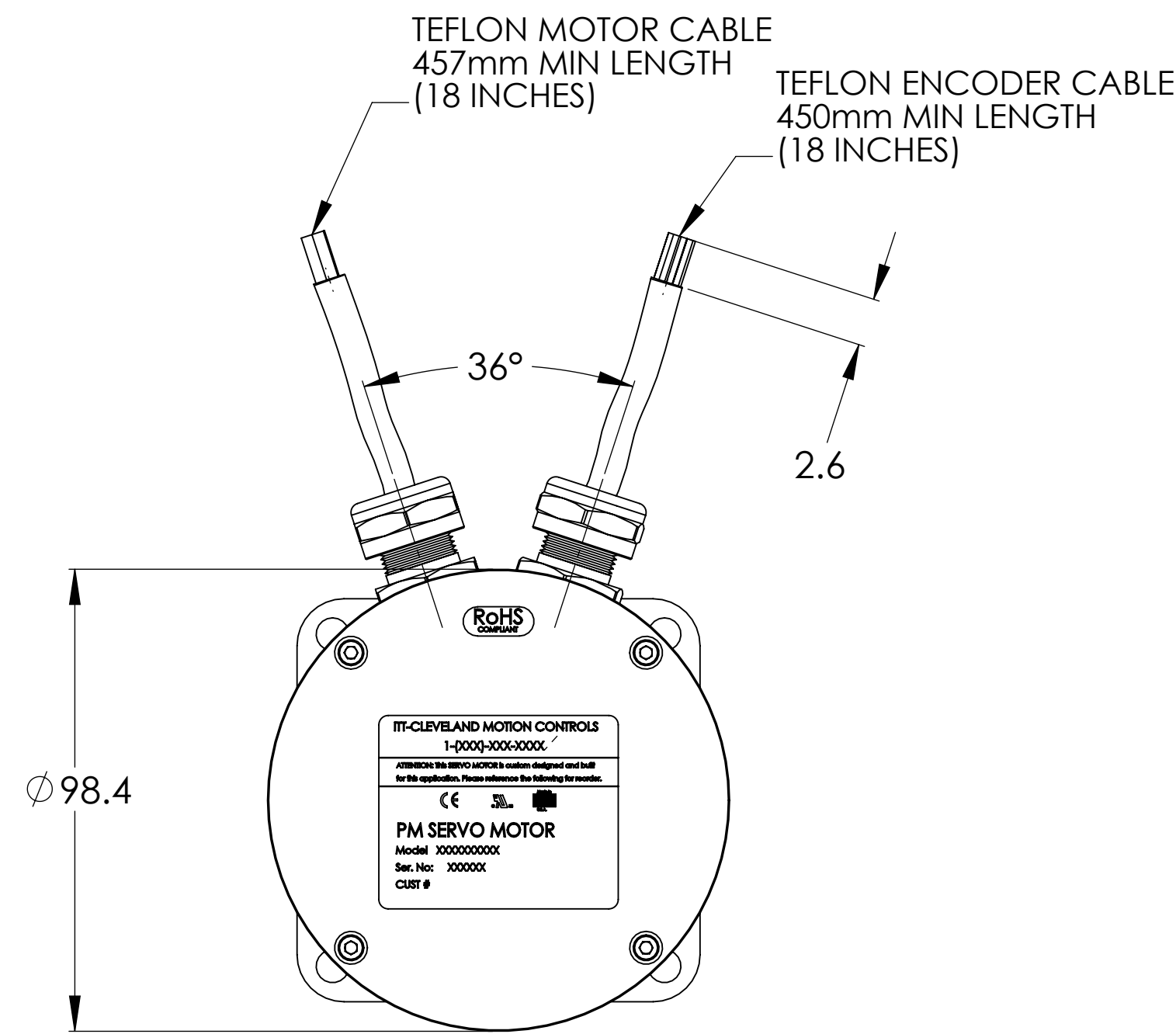


ENCODER/ BRAKE CABLE WIRING CODE		
FROM	WIRE COLOR	WIRE SIZE
OUTPUT A	BROWN	# 28 AWG.
OUTPUT A'	WHITE	# 28 AWG.
OUTPUT B	BLUE	# 28 AWG.
OUTPUT B'	GREEN	# 28 AWG.
OUTPUT Z	ORANGE	# 28 AWG.
OUTPUT Z'	YELLOW	# 28 AWG.
OUTPUT U (H3)	VIOLET	# 28 AWG.
OUTPUT V (H2)	BROWN/WHITE	# 28 AWG.
OUTPUT W (H1)	ORANGE/WHITE	# 28 AWG.
CASE GROUND	BLACK/WHITE	# 28 AWG.
CABLE SHIELD	DRAIN	# 28 AWG.
+ 5 VDC	RED	# 28 AWG.
COMMON	BLACK/WHITE	# 28 AWG.
THERMOSTAT	RED/WHITE	#22 AWG.
THERMOSTAT	YELLOW/WHITE	#22 AWG.

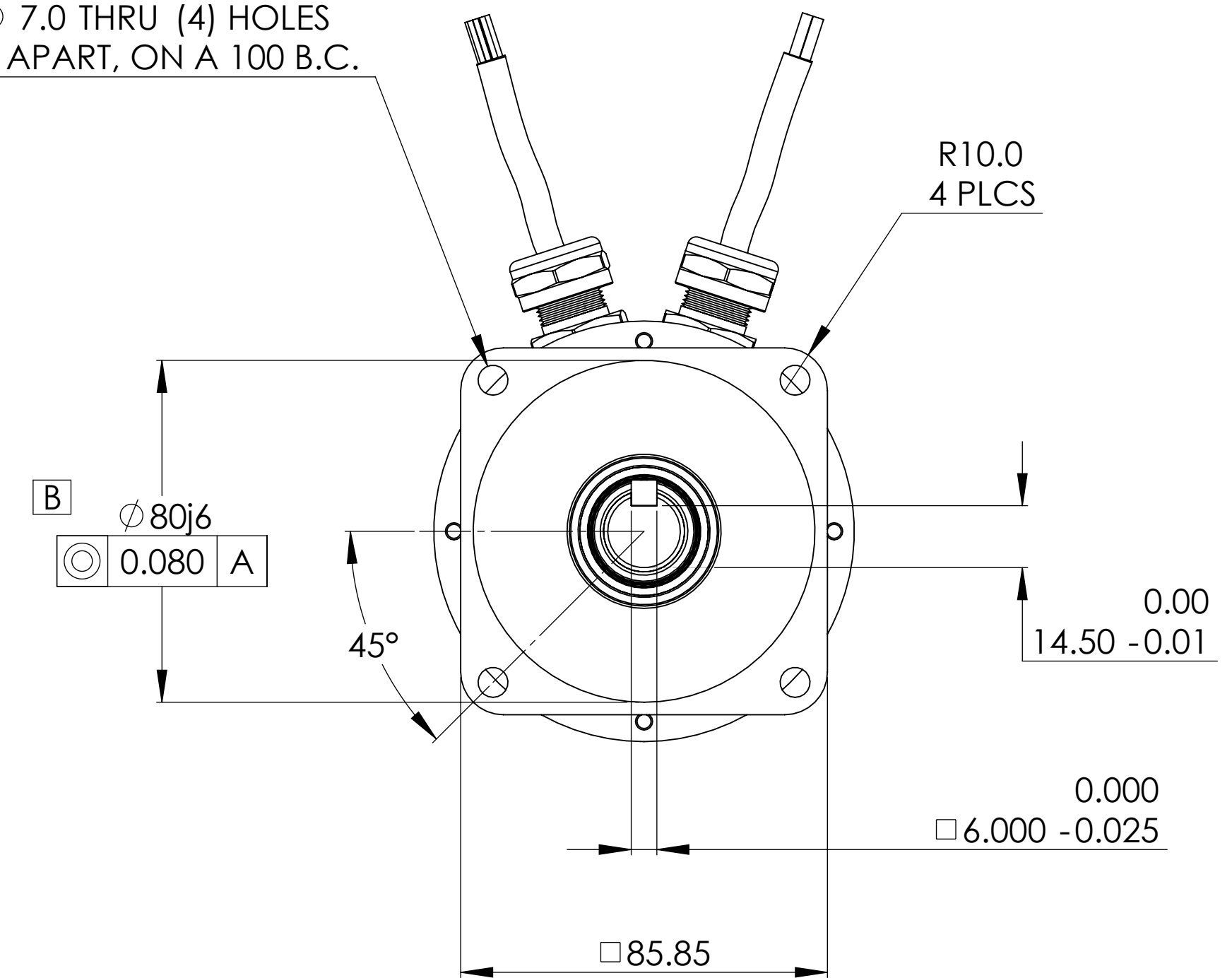
MOTOR CABLE WIRING CODE		
FROM	WIRE COLOR	WIRE SIZE
MOTOR M1	WHITE	# 16 AWG
MOTOR M2	WHITE/BLUE	# 16 AWG
MOTOR M3	WHITE/ORANGE	# 16 AWG
CASE	WHITE/GREEN	# 16 AWG

REVISIONS				
REV	ECN	DESCRIPTION	DATE	APP'D
A	DR8690	INITIAL RELEASE	10/30/07	J.S.
B	ECN3932	TOLERANCES WERE K6,J6, ARE k6,j6	04/28/09	J.S.
C	BOS5159	TEMPERATURE SENSOR MAX CURRENT FROM 6 TO 3.5 AMPS	04/1/16	AS

NOTE:
TEMPERATURE SENSOR:
CONTACTS: NORMALLY CLOSED
MAX AMPS: 3.5 AMP
RATED VOLTAGE: 24VDC



Ø 7.0 THRU (4) HOLES
 90° APART, ON A 100 B.C.



NOTES:

1. ROTATION: CLOCKWISE MOTOR ROTATION VIEWING DRIVE END OCCURS WHEN PHASE A LEADS PHASE B, PHASE B LEADS PHASE C.
2. MOTOR IS SEALED TO IP67 STANDARDS:
 -NO INGRESS OF DUST
 -INGRESS OF WATER CAUSING HARMFUL EFFECTS SHALL NOT BE POSSIBLE WHEN THE ENCLOSURE IS IMMERSED IN WATER UNDER STANDARDIZED CONDITIONS OF PRESSURE AND TIME (UP TO 1m OF SUBMERSION)

ALL DIMENSIONS ARE IN MILLIMETERS

Model #	Part #	DIM "L"
S0851	31018-018	165
S0852	31018-019	194
S0853	31018-020	223
S0854	31018-021	252

NOTICE Information contained herein is the sole property of MTI Torque Systems, Inc. This may not be reproduced, copied, or traced in any manner in part or whole without the written permission of MTI Torque Systems, Inc.	MILLIMETERS (mm) TOLERANCES UNLESS OTHERWISE SPECIFIED X ±0.25 XX ±0.25 XXX ±0.100	APPLICATION NEXT ASSY USED ON 85mm	 FORQUE SYSTEMS METRIC, STAINLESS STEEL W/ENC,SHAFT SEAL,TEFL CABLE
	THIRD ANGLE PROJECTION MATERIAL N/A FINISH N/A	ANGLES ±0°-30° DRAWN JAS CHECKED APPROVED SCALE 1:2	