

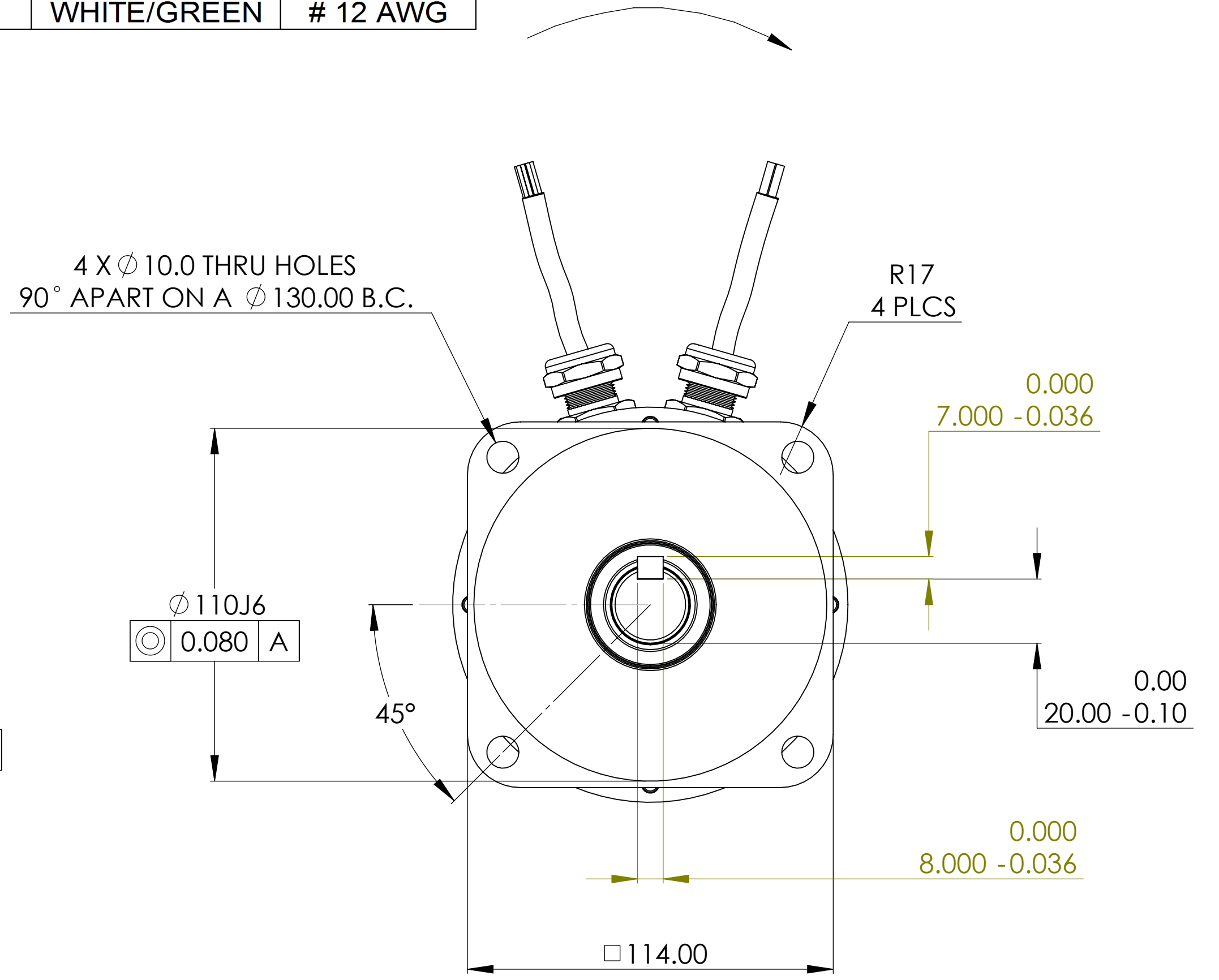
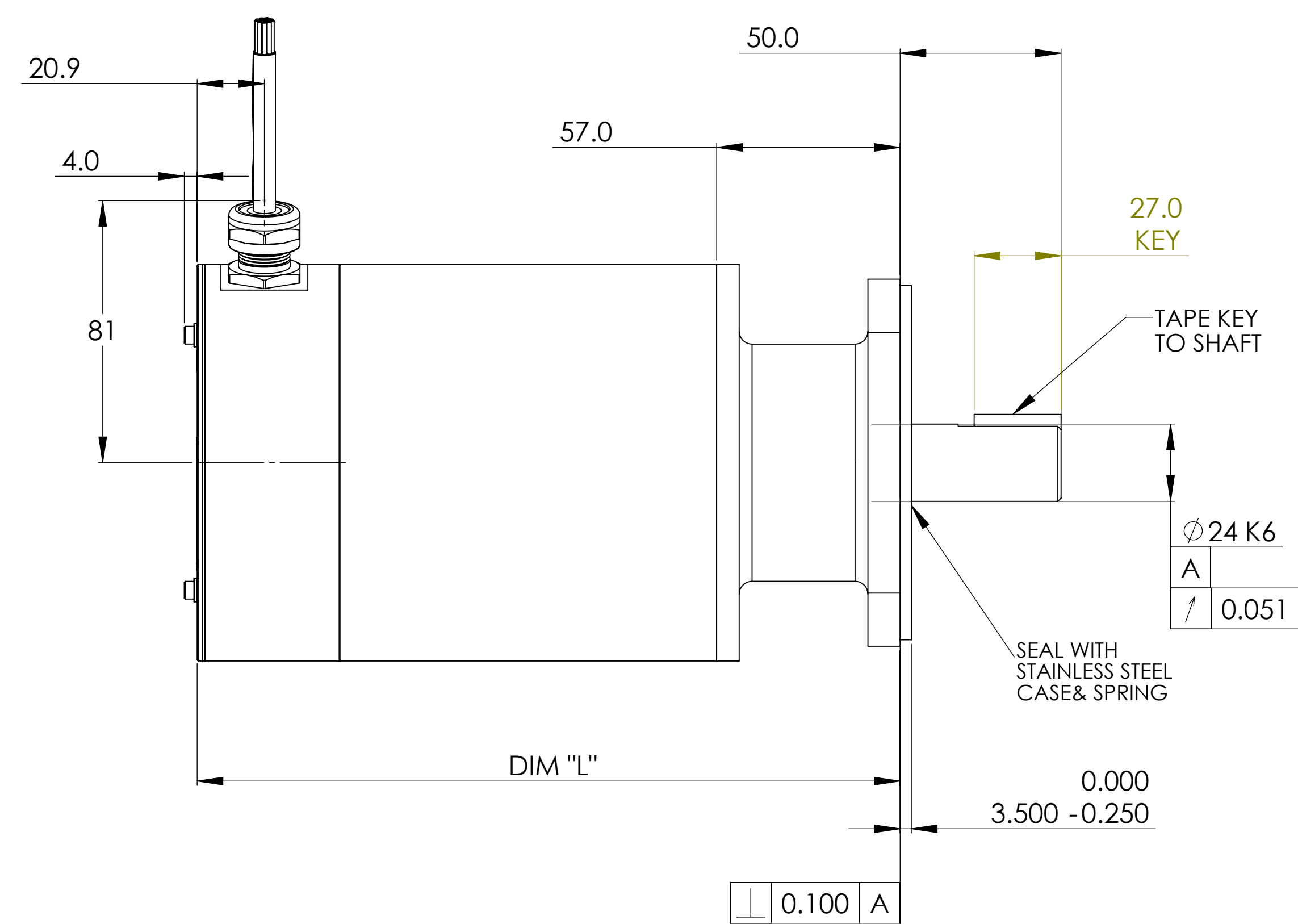
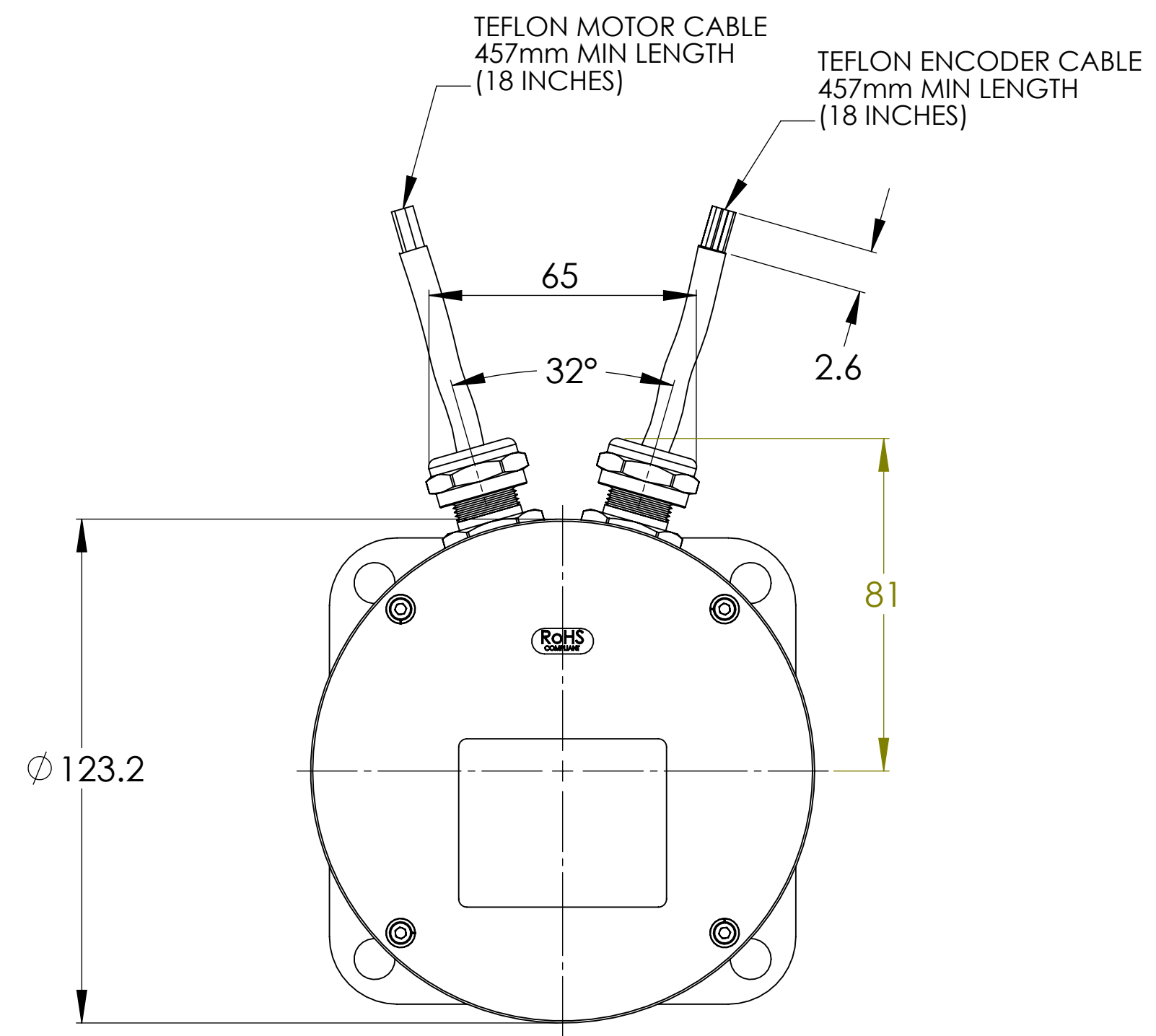
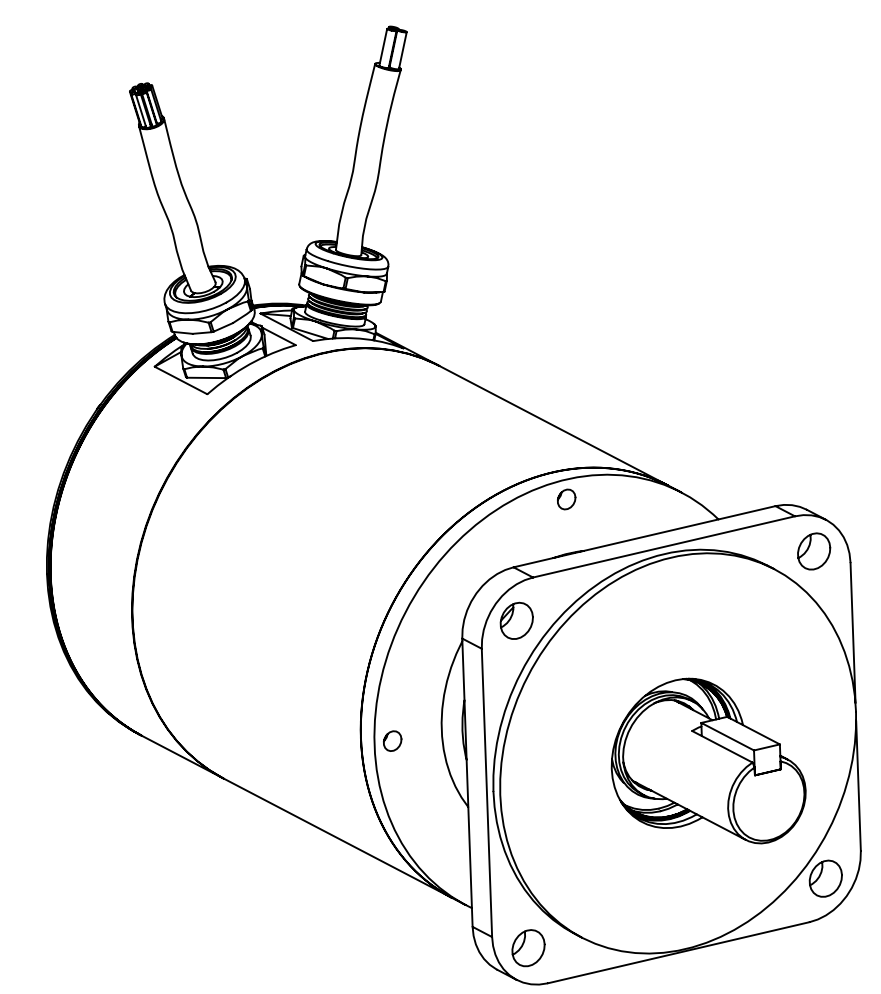
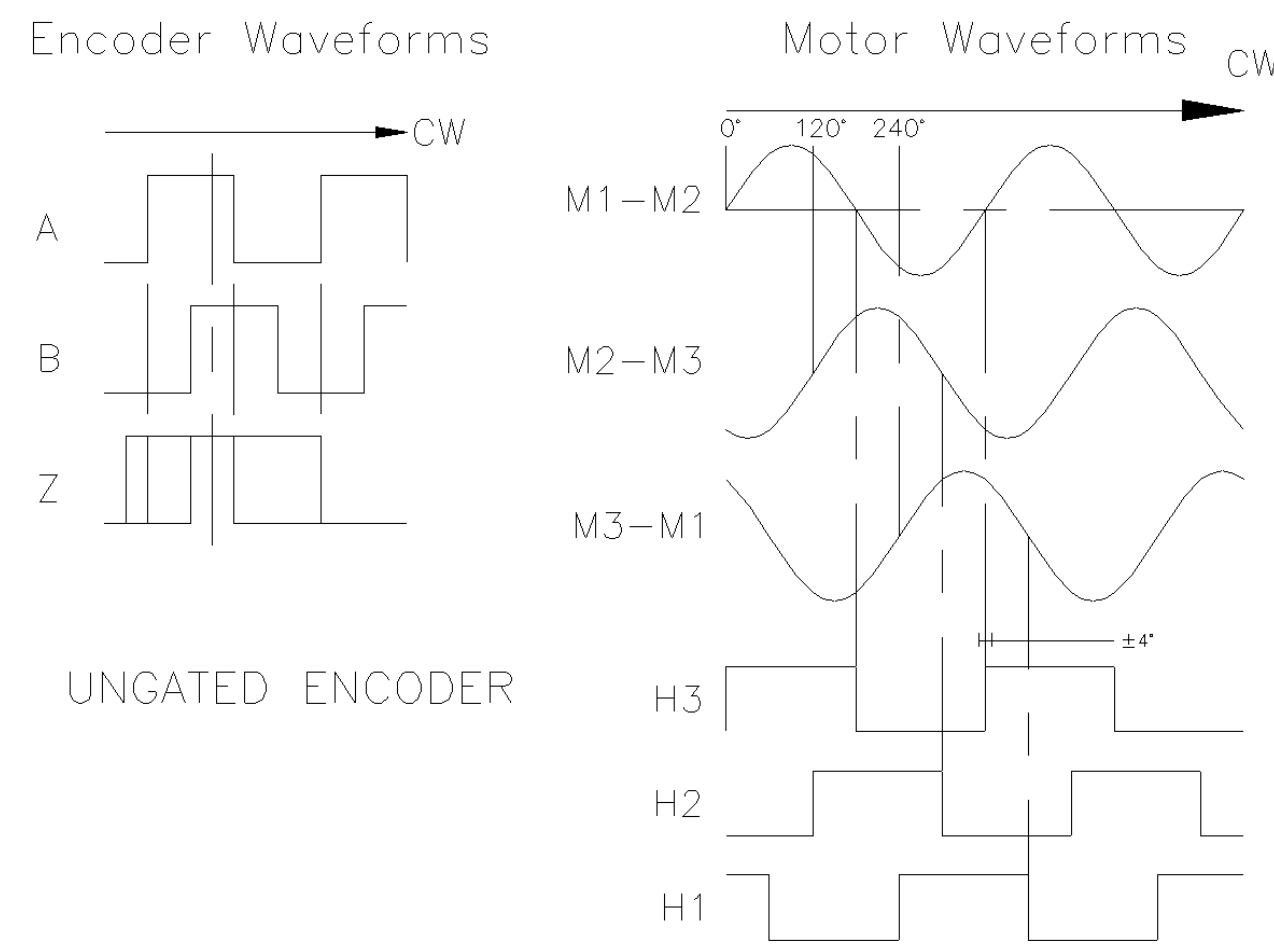
REVISIONS				
REV	ECN	DESCRIPTION	DATE	APP'D
A	DR8671	INITIAL RELEASE	12/10/07	J.S.

ENCODER CABLE WIRING CODE		
FROM	WIRE COLOR	WIRE SIZE
OUTPUT A	BROWN	# 28 AWG.
OUTPUT A'	WHITE	# 28 AWG.
OUTPUT B	BLUE	# 28 AWG.
OUTPUT B'	GREEN	# 28 AWG.
OUTPUT Z	ORANGE	# 28 AWG.
OUTPUT Z'	YELLOW	# 28 AWG.
OUTPUT U (H3)	VIOLET	# 28 AWG.
OUTPUT V (H2)	BROWN/WHITE	# 28 AWG.
OUTPUT W (H1)	ORANGE/WHITE	# 28 AWG.
CASE GROUND	BLACK/WHITE	# 28 AWG.
CABLE SHIELD	DRAIN	# 28 AWG.
+ 5 VDC	RED	# 28 AWG.
COMMON	BLACK/WHITE	# 28 AWG.
THERMOSTAT	RED/WHITE	#22 AWG.
THERMOSTAT	YELLOW/WHITE	#22 AWG.

MOTOR CABLE WIRING CODE		
FROM	WIRE COLOR	WIRE SIZE
MOTOR M1	WHITE	# 12 AWG
MOTOR M2	WHITE/BLUE	# 12 AWG
MOTOR M3	WHITE/ORANGE	# 12 AWG
CASE	WHITE/GREEN	# 12 AWG

**NOTE:**  
**TEMPERATURE SENSOR:**  
**CONTACTS: NORMALLY CLOSED**  
**MAX AMPS: 6 AMP**  
**RATED VOLTAGE: 24VDC**

Clockwise rotation, viewed from the motor shaft, results in these waveforms.



- NOTES:
1. ROTATION: CLOCKWISE MOTOR ROTATION VIEWING DRIVE END OCCURS WHEN PHASE A LEADS PHASE B, PHASE B LEADS PHASE C.
  2. MOTOR IS SEALED TO IP67 STANDARDS:  
 -NO INGRESS OF DUST  
 -INGRESS OF WATER CAUSING HARMFUL EFFECTS SHALL NOT BE POSSIBLE WHEN THE ENCLOSURE IS IMMERSSED IN WATER UNDER STANDARDIZED CONDITIONS OF PRESSURE AND TIME (UP TO 1m OF SUBMERSION)

Model #	Part #	DIM "L"
S1101	32018-039	187
S1102	32018-040	218
S1103	32018-041	249
S1104	32018-042	280

**ALL DIMENSIONS ARE IN MILLIMETERS**

<b>NOTICE</b> <small>Information contained herein is the sole property of MTI Torque Systems, Inc. This may not be reproduced, copied, or traced in any manner in part or whole without the written permission by MTI Torque Systems, Inc.</small>	<b>MILLIMETERS (mm)</b> TOLERANCES UNLESS OTHERWISE SPECIFIED X +/- 2.5 XX +/- 0.25 XXX +/- 0.100	APPLICATION NEXT ASSY USED ON 110mm	 <b>METRIC STAINLESS STEEL W/ENC,SHAFT SEAL,TEFL CABLE</b>
	THIRD ANGLE PROJECTION <small>Third angle projection in millimeters (mm) and inches (in) is used unless otherwise specified. Interpret per ASME Y14.5M-1994.</small>	ANGLES +/- 0°-30° MATERIAL FINISH	

TITLE: METRIC STAINLESS STEEL W/ENC,SHAFT SEAL,TEFL CABLE  
 CAGE CODE: 54572  
 DWG. NO.: 32018-039-042  
 REV. A  
 SCALE: 1:1  
 SHEET 1 OF 1

CAD FILE: 32018-039-042.SLDRAW