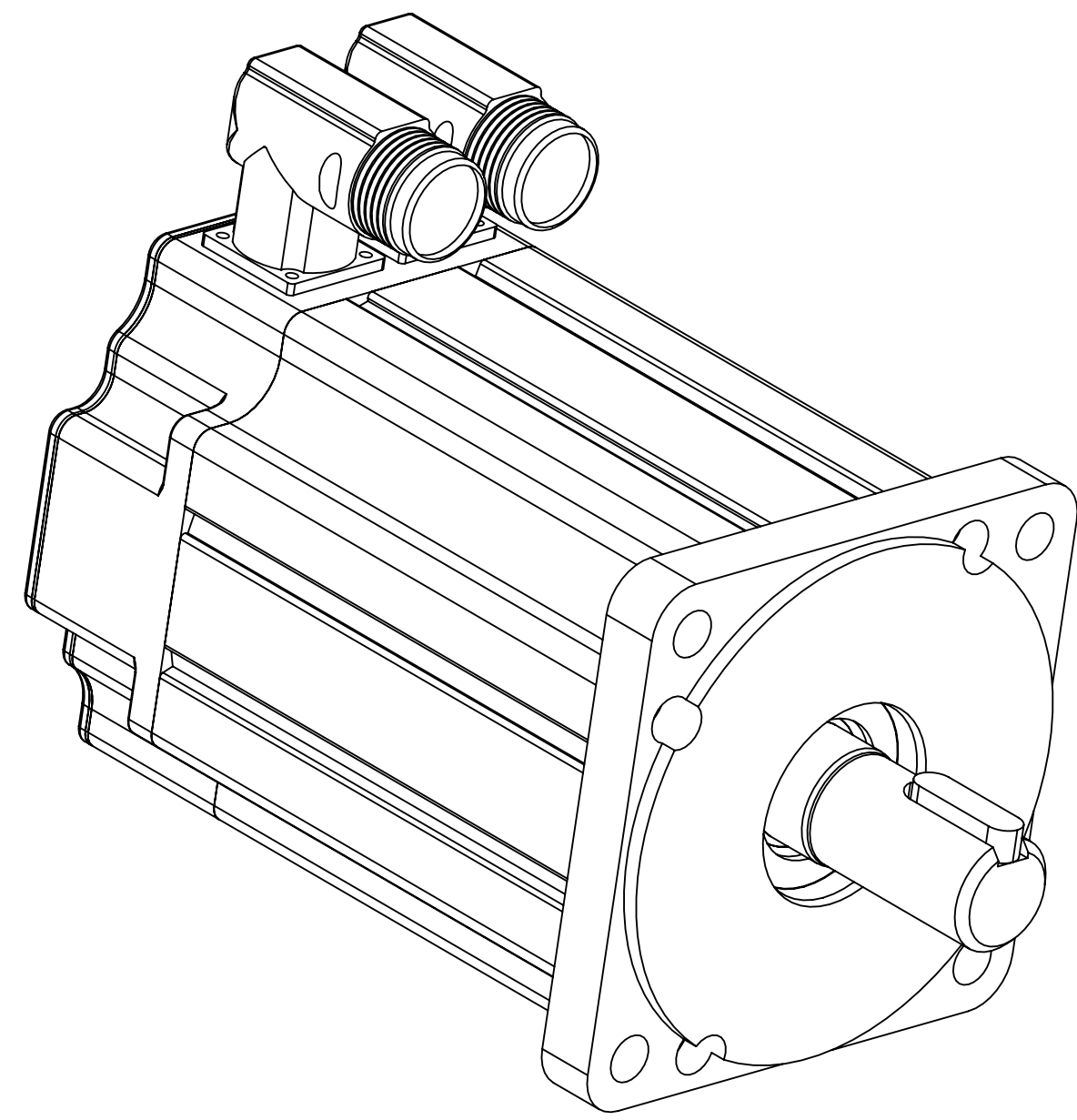
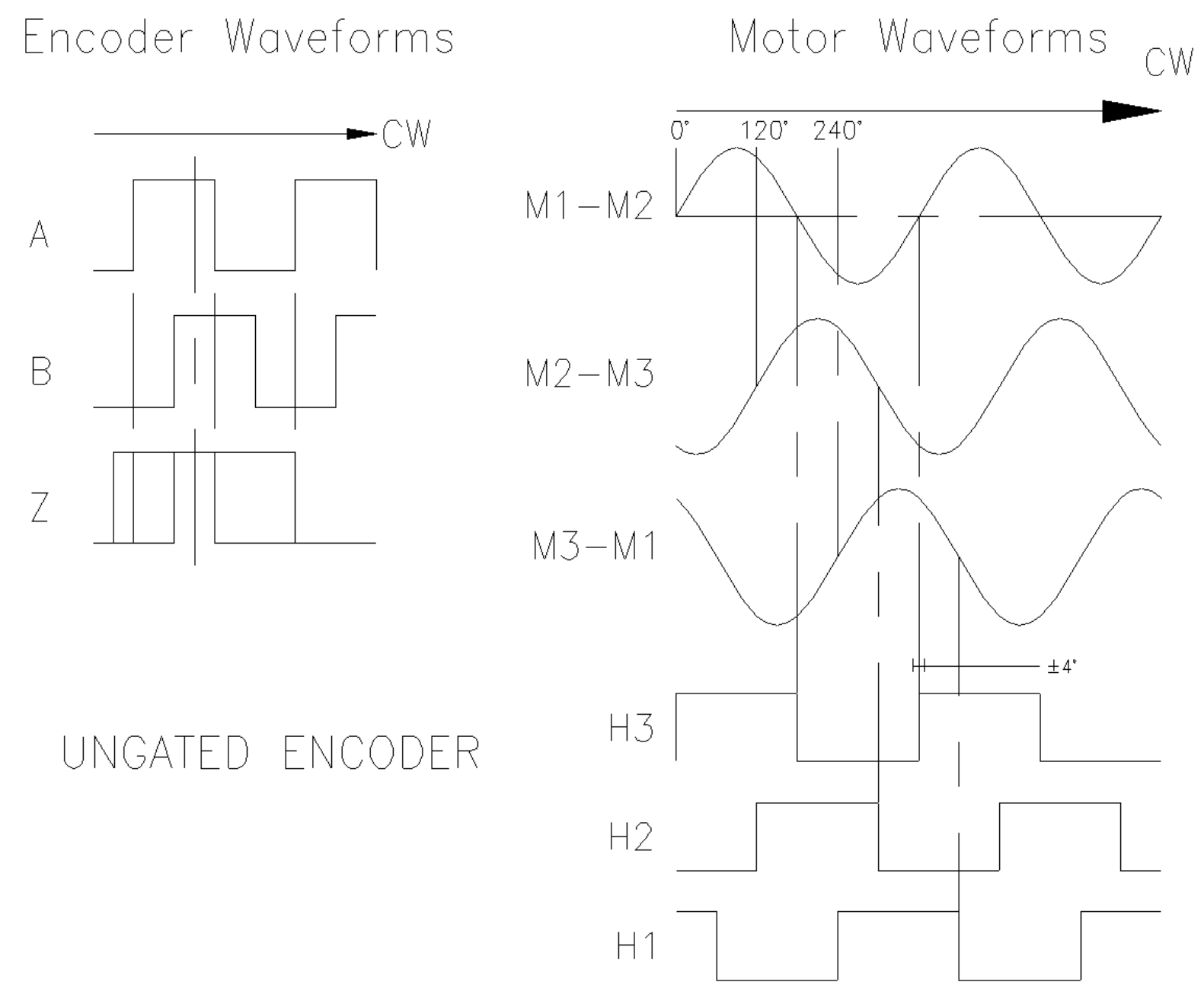


REVISIONS				
REV	ECN	DESCRIPTION	DATE	APP'D
A	DR7963	RELEASED	9/9/05	T.M.
B	ECN2580	UPDATED DRAWING	12/6/05	T.M.
C	ECN2625	ENCODER WIRE CODE CHANGED	1/20/06	T.M.
D	DR8223	UPDATE OUTLINE TO STANDARDS	8/8/06	T.M.



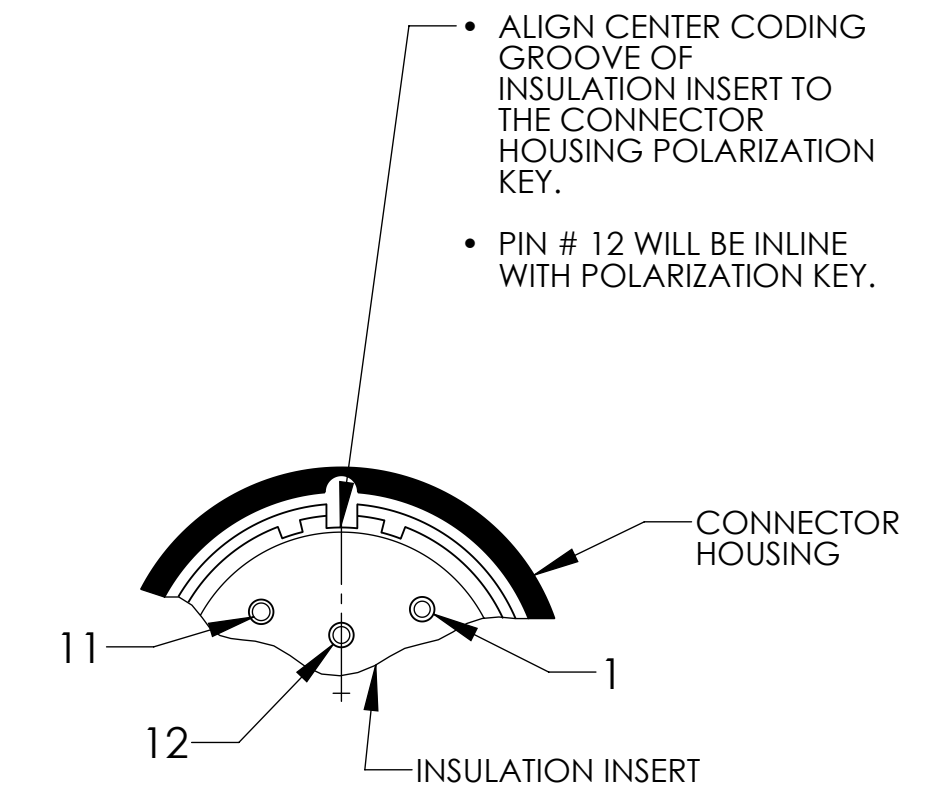
Clockwise rotation, viewed from the motor shaft, results in these waveforms.



ENCODER CONN WIRING	
FROM	TO PIN
OUTPUT B	1
OUTPUT B'	2
OUTPUT A	3
OUTPUT A'	4
OUTPUT Z	5
OUTPUT Z'	6
COMMON	7
+ 5 VDC	10
CASE GROUND	11
OUTPUT U (H3)	15
OUTPUT V(H2)	16
OUTPUT W(H1)	17

ENCODER CABLE SHIELD IS NOT CONNECTED AT MOTOR END

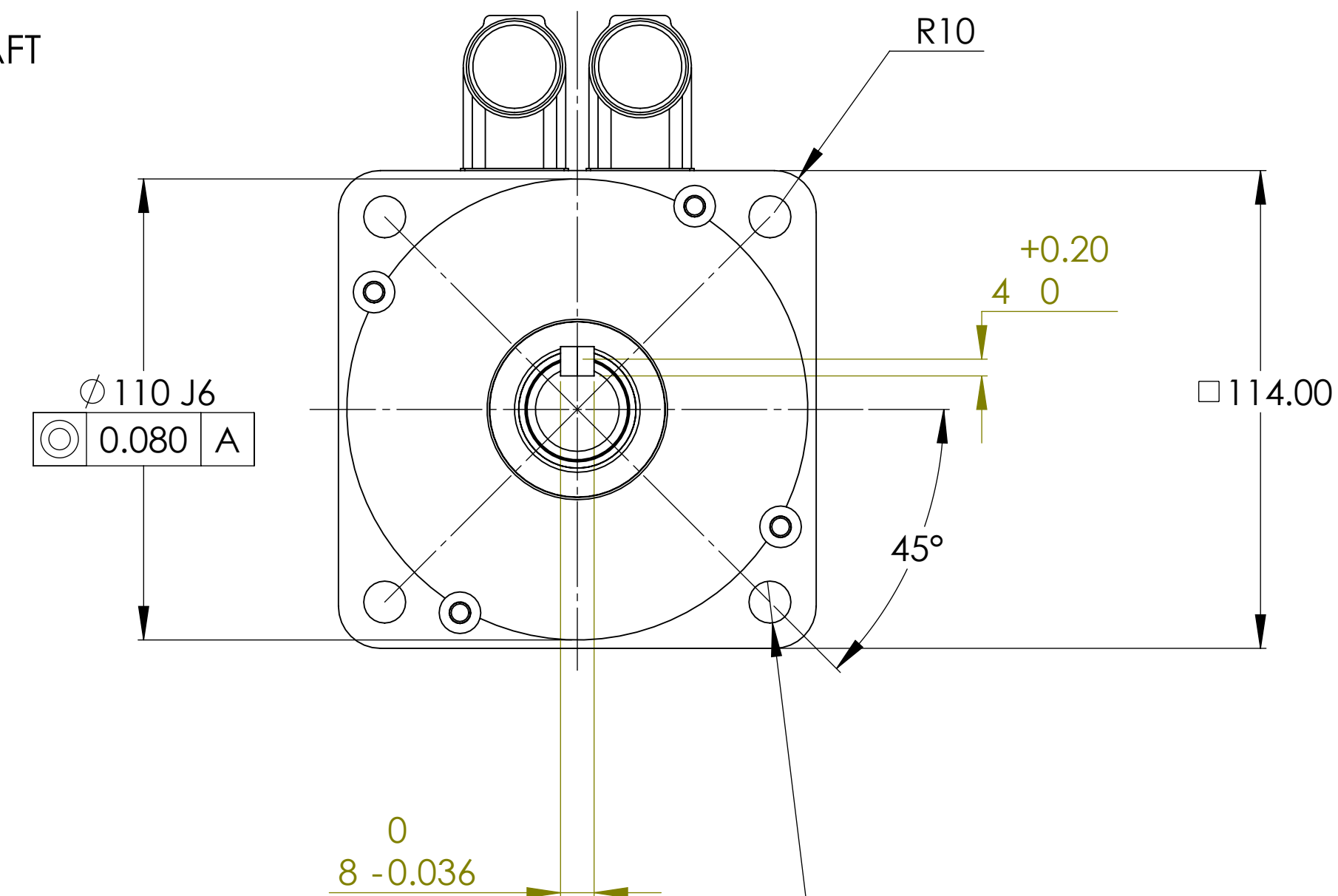
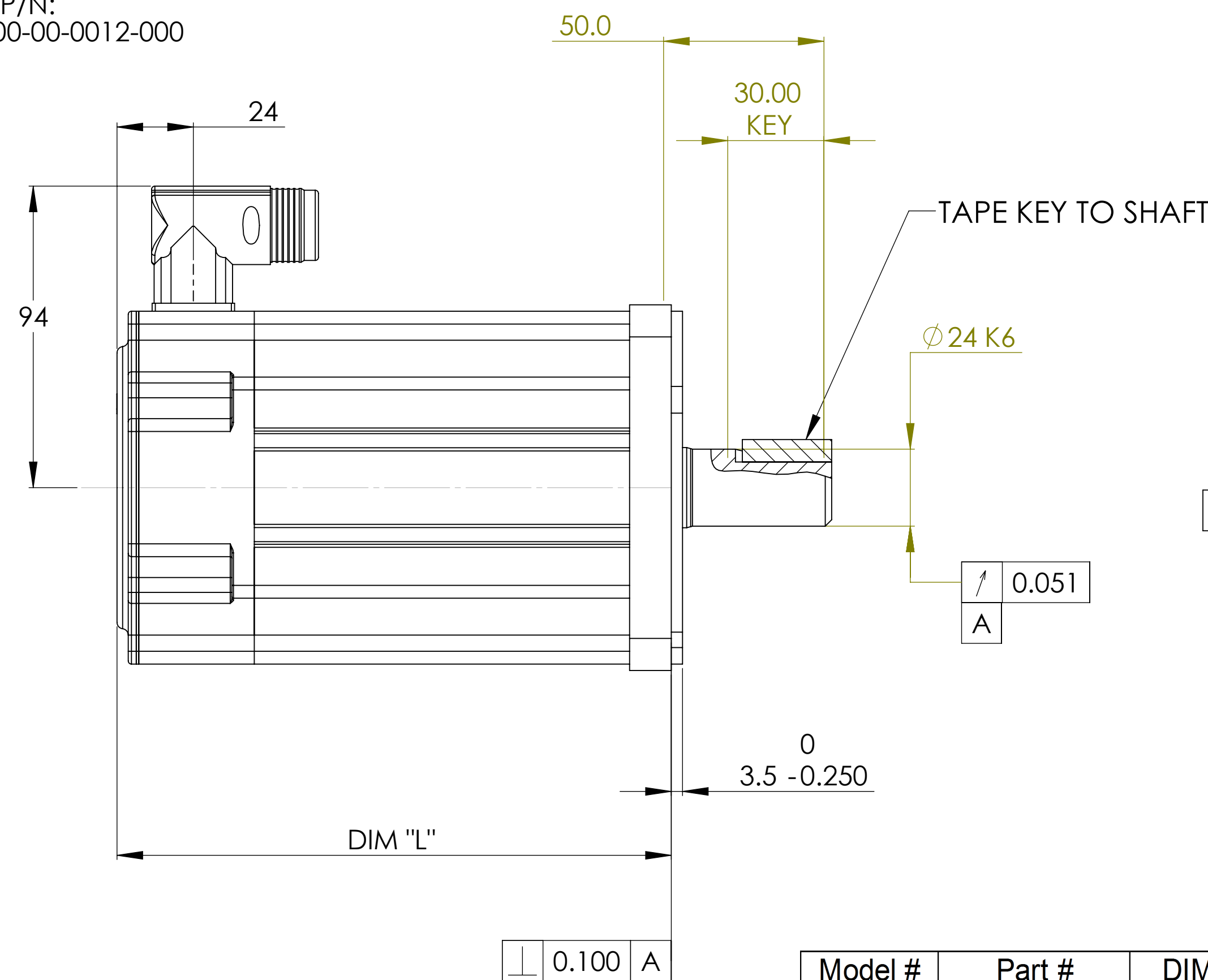
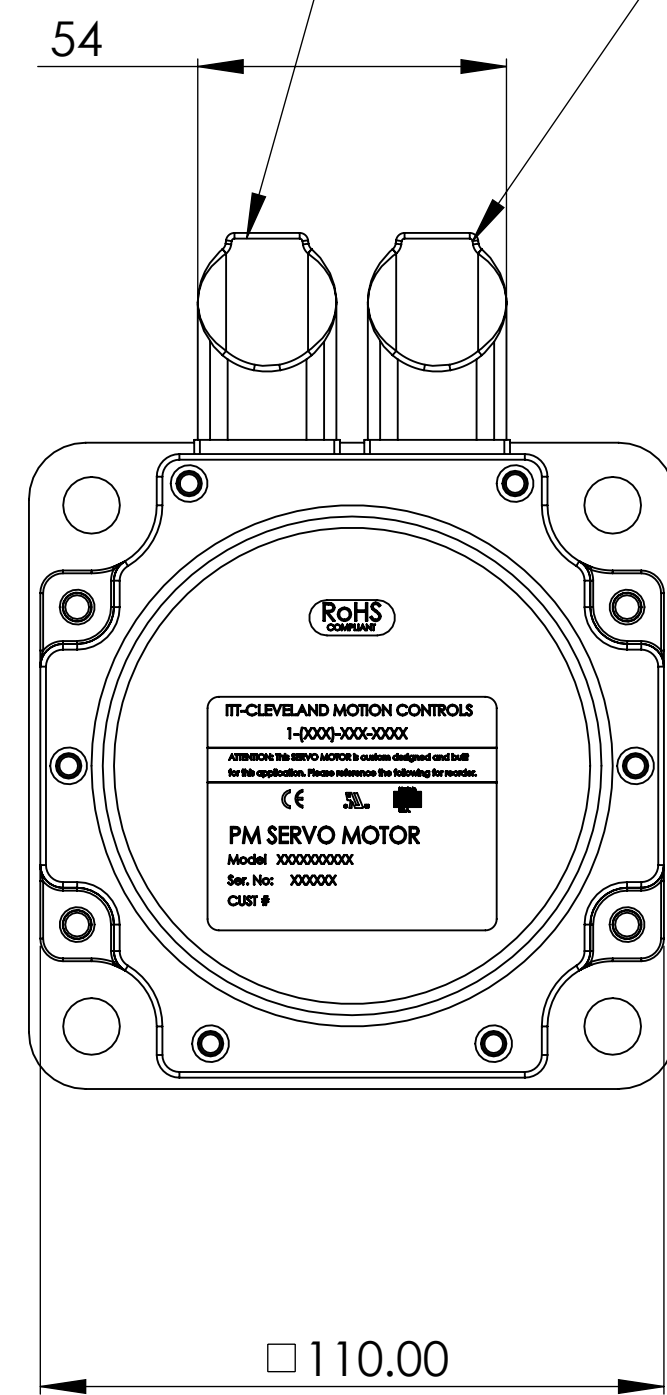
MOTOR CONN. WIRING CODE	
FROM	TO PIN
MOTOR M1	1
MOTOR M3	3
MOTOR M2	4
CASE	



ENCODER CONNECTOR

MOTOR CONNECTOR  
INTER CONTEC P/N:  
BEDC-089-NN-00-00-0005-000

ENCODER CONNECTOR  
INTER CONTEC P/N:  
AEDC-113-NN-00-00-0012-000



Ø 10 THRU (4) HOLES  
90° APART ON A Ø 130.00 B.C.

Model #	Part #	DIM "L"
T1101	32018-009	142
T1102	32018-010	173
T1103	32018-011	204
T1104	32018-012	235

NOTES:

1. ROTATION: CLOCKWISE MOTOR ROTATION VIEWING DRIVE END OCCURS WHEN PHASE A LEADS PHASE B, PHASE B LEADS PHASE C.

<b>NOTICE</b> Information contained herein is the sole property of MTI Torque Systems, Inc. This may not be reproduced, copied, or traced in any manner in part or whole without the written permission of MTI Torque Systems, Inc.	<b>MILLIMETERS (mm)</b> TOLERANCES UNLESS OTHERWISE SPECIFIED X ±0.25 XX ±0.25 XXX ±0.100 ANGLES ±0°-30' MATERIAL FINISH	APPLICATION		 <b>MonteVideo Technology, Inc. (MTI)</b> A Motor And Control Company <b>TORQUE SYSTEMS</b>
		NEXT ASSY	USED ON	
THIRD ANGLE PROJECTION 	DRAWS 8/4/05 CHECKED APPROVED	CAGE CODE: 54572 DWG. NO.: 32018-009-012	REV. D SCALE 1:1 SHEET 1 OF 1	FILE OUTLINE 110, METRIC W/ENC CONNECTORS