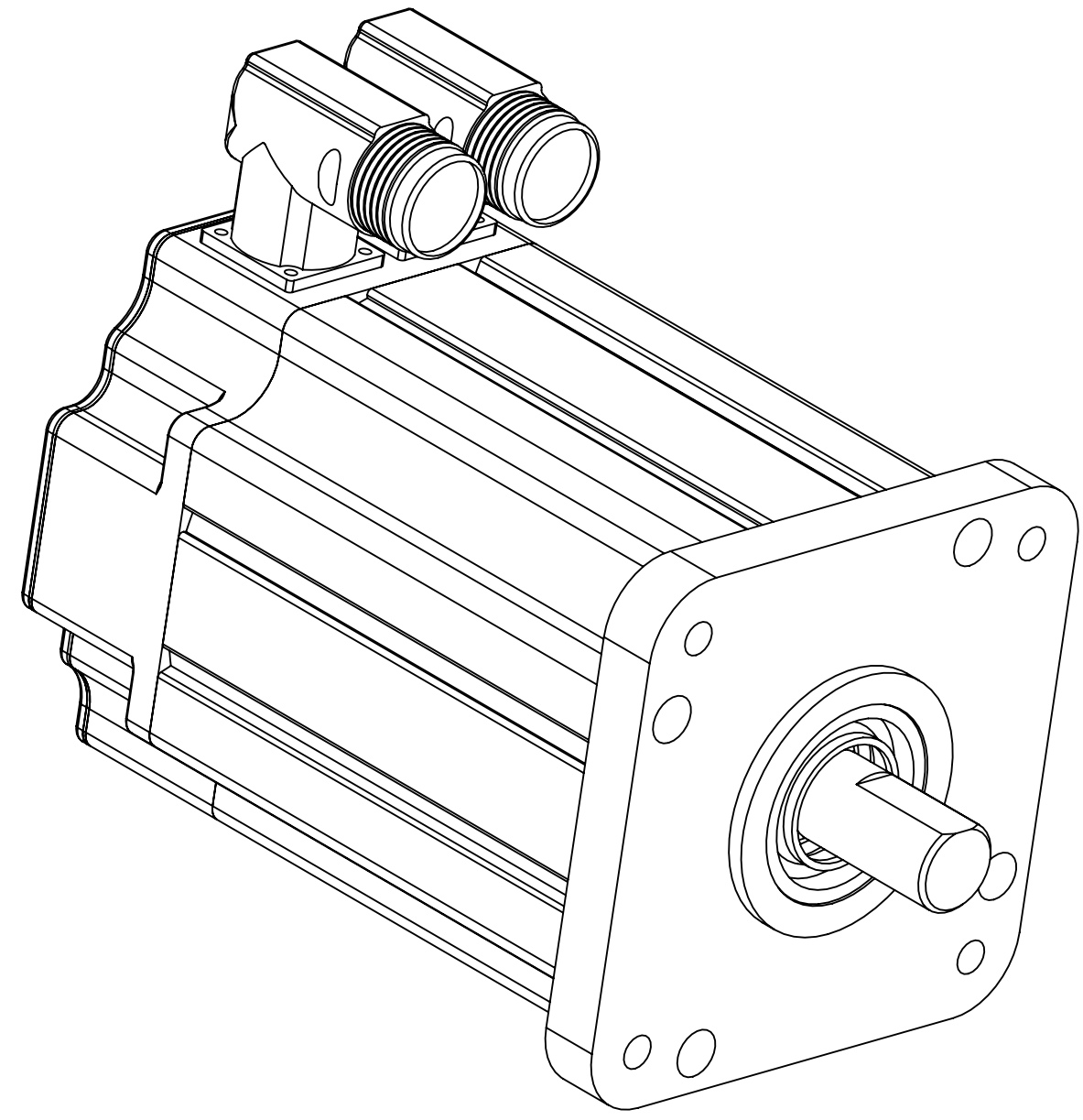
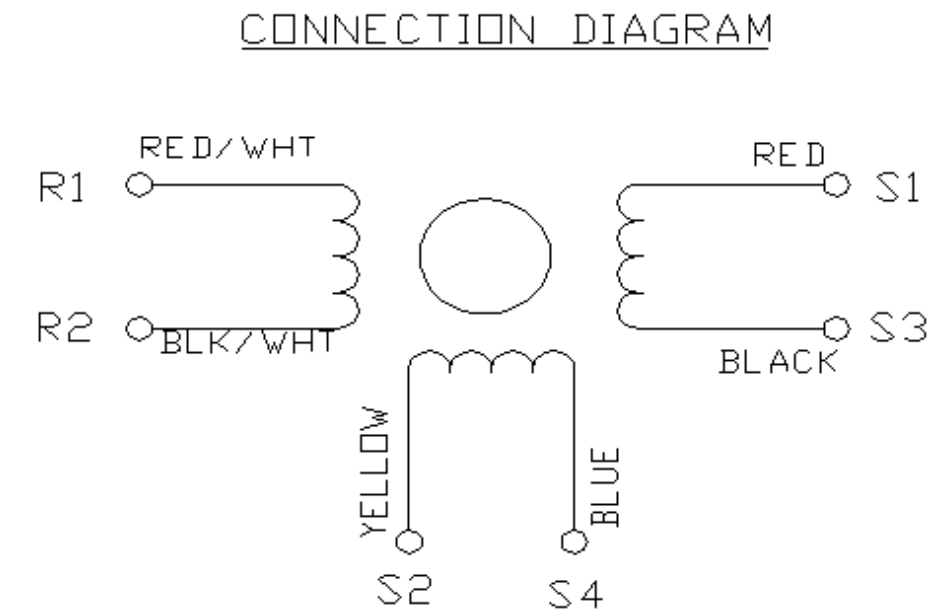
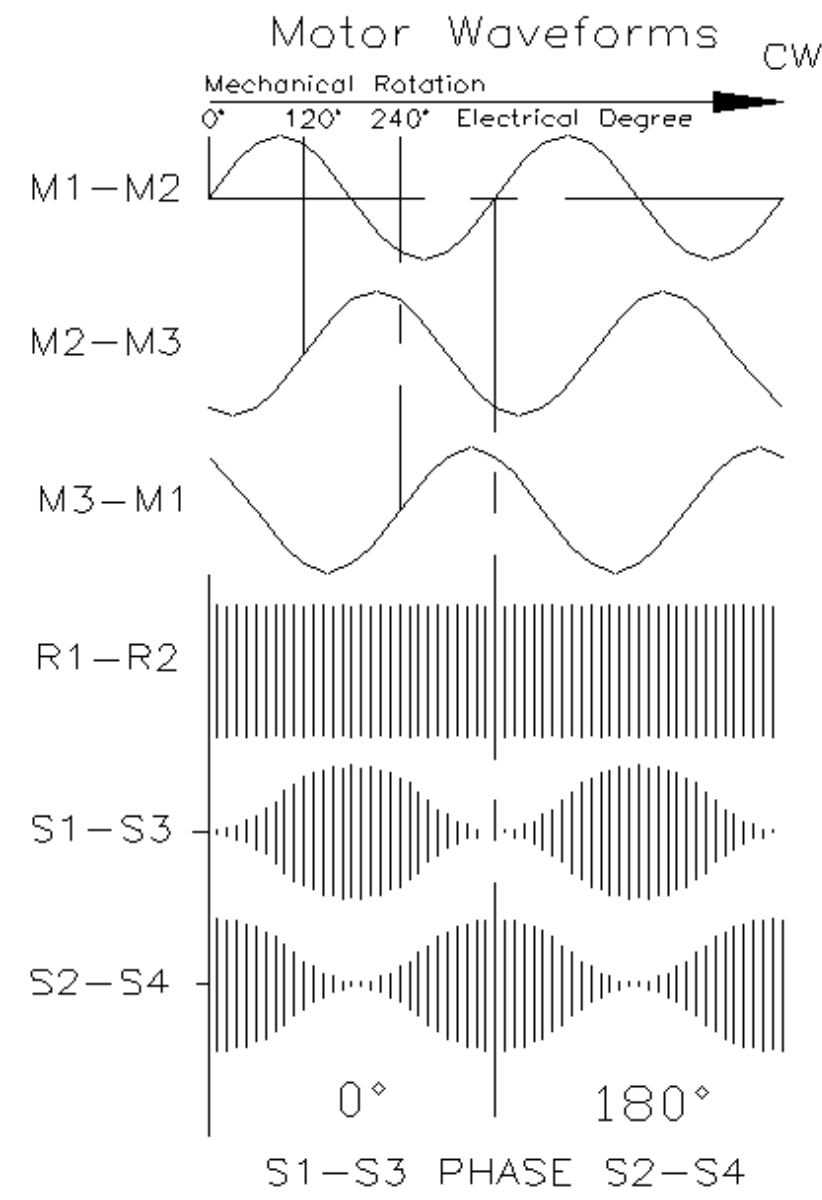
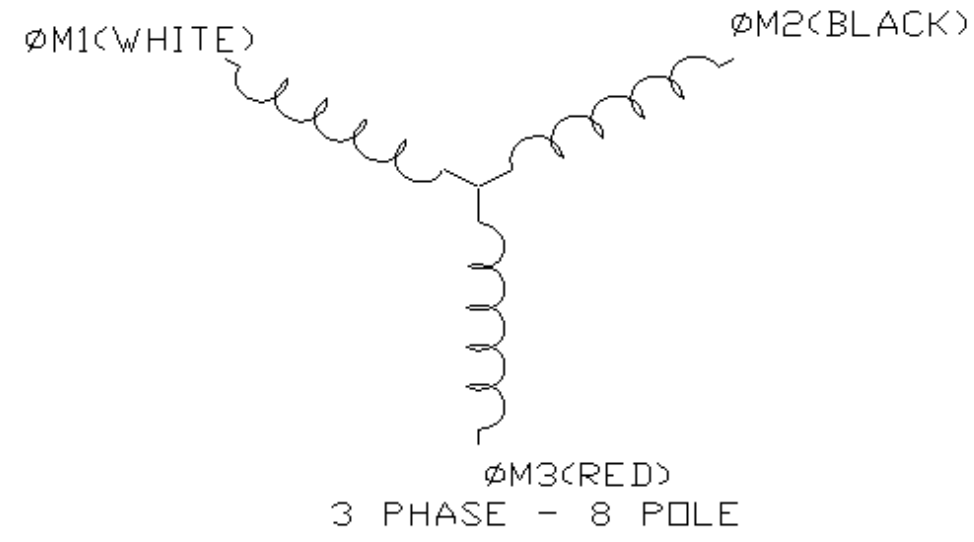


REVISIONS				
REV	ECN	DESCRIPTION	DATE	APP'D
A	DR8902	RELEASED	10/02/08	RAL



Clockwise rotation, viewed from the motor shaft, results in these waveforms.

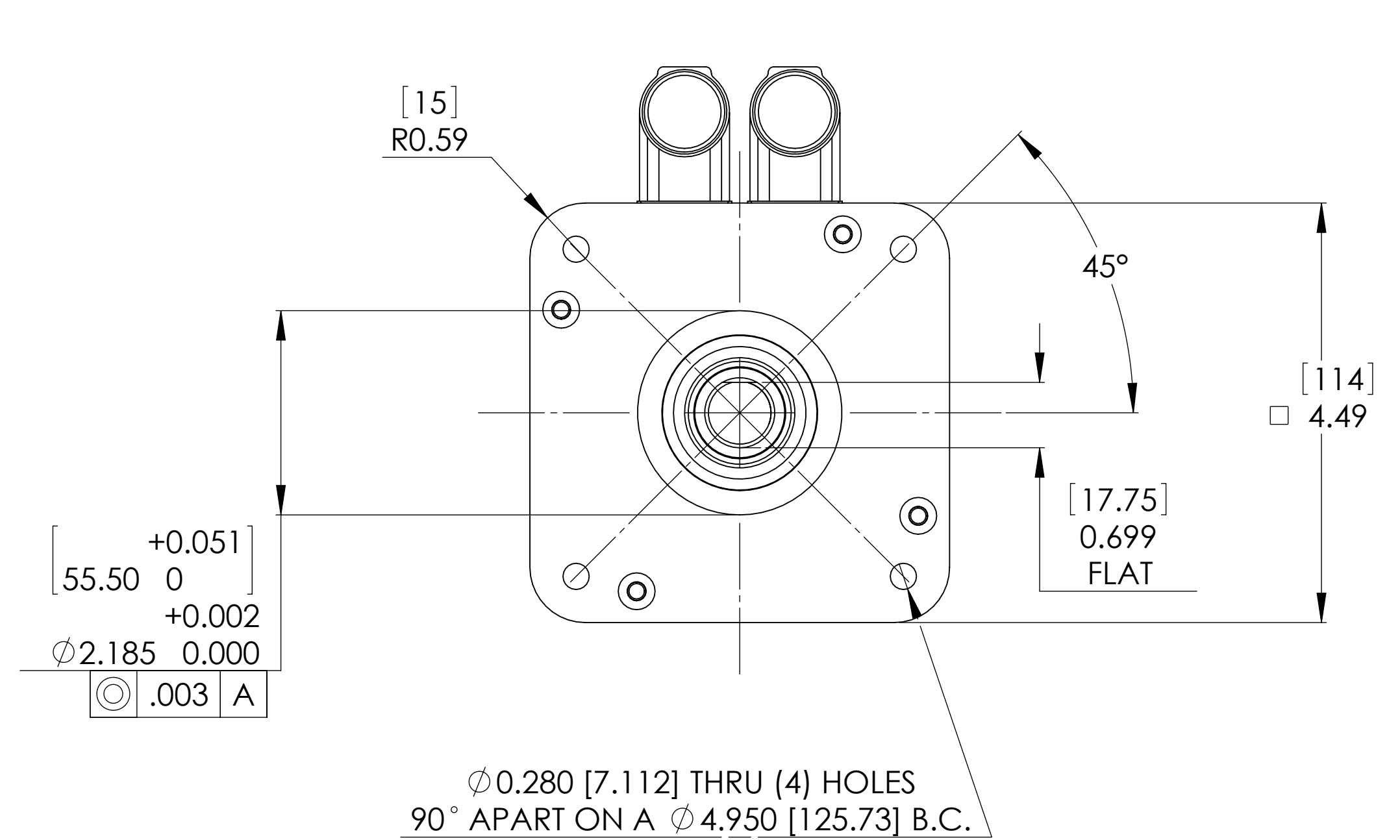
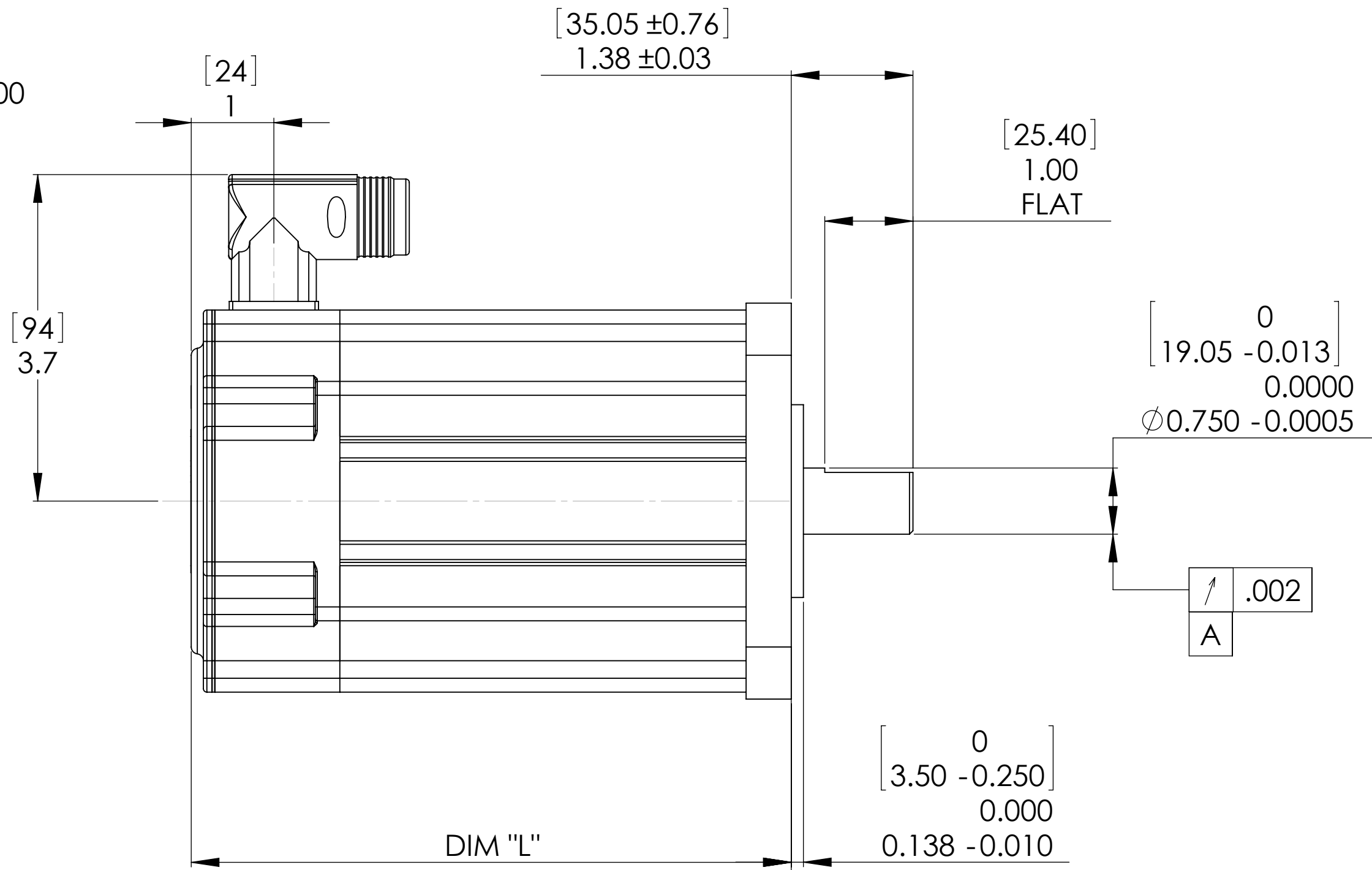
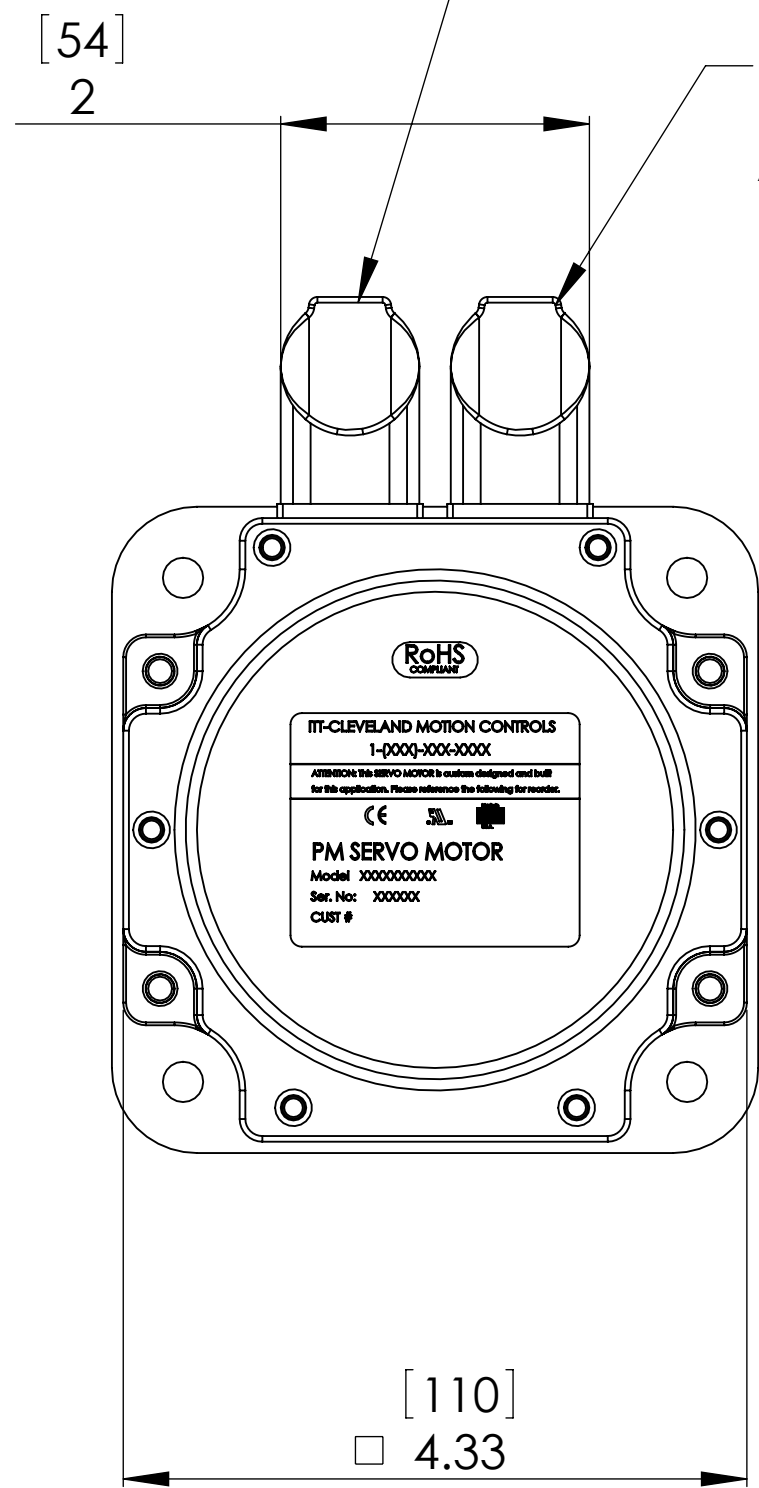


RESOLVER CONN. WIRING	
FROM	TO PIN
S4	3
S3	4
R2	5
S2	7
S1	8
R1	9

MOTOR CONN. WIRING CODE	
FROM	TO PIN
MOTOR M1	1
MOTOR M3	3
MOTOR M2	4
CASE	

MOTOR CONNECTOR
INTER CONTEC P/N:
BEDC-089-NN-00-00-0005-000

RESOLVER CONNECTOR
INTER CONTEC P/N:
AEDC-113-NN-00-00-0012-000



NOTES:

1. ROTATION: CLOCKWISE MOTOR ROTATION VIEWING DRIVE END OCCURS WHEN PHASE A LEADS PHASE B, PHASE B LEADS PHASE C.

⊥ .004 A

Model #	Part #	DIM "L" (in)	DIM "L" (mm)
T1101	32011-001	5.6	142
T1102	32011-002	6.8	173
T1103	32011-003	8.1	204
T1104	32011-004	9.3	235

DIMENSIONS IN BRACKETS [DUAL] ARE IN MILLIMETERS

<p>Dimensions in INCHES MILLIMETER dimensions in brackets when used. All dimensions apply after processing, unless otherwise noted. Interpret dimensions and tolerances per ASME Y14.5M-1994.</p> <p>NOTICE Information contained herein is the sole property of MTI Torque Systems, Inc. This may not be reproduced, copied, or posted in any manner in part or whole without the written permission by MTI Torque Systems, Inc.</p> <p>THIRD ANGLE PROJECTION</p>		<p>APPLICATION</p> <p>NEXT ASSY USED ON</p> <p>110mm</p> <p>DRAWN 8/4/05</p> <p>CHECKED</p> <p>APPROVED</p>	<p>MonteVideo Technology, Inc. (MTI) A Motor And Control Company TORQUE SYSTEMS</p> <p>FILE OUTLINE 110 mm .75" NEMA42 W/RES, CONNECTORS & FLAT</p> <p>SIZE D CAGE CODE 54572 DWG. NO. 32011-001-004 REV. 2</p> <p>SCALE 1:1 SHEET 1 OF 1</p>
--	--	---	---

CAD FILE: 32011-001-004.SLDDRW