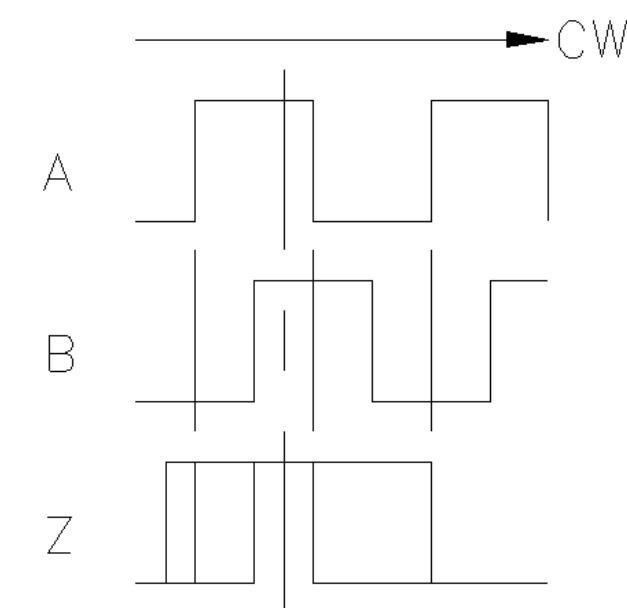


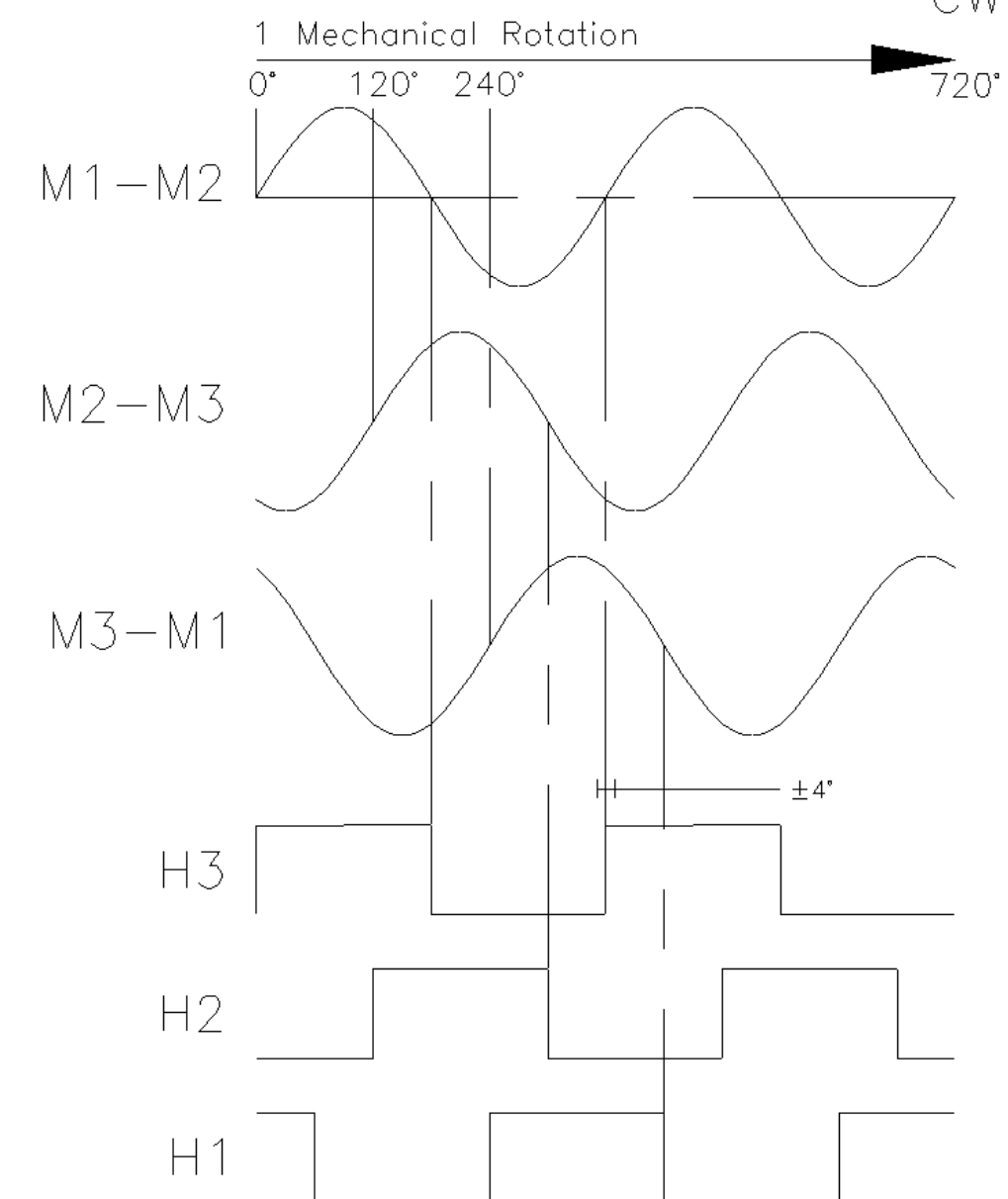
REVISIONS				
REV	ECN	DESCRIPTION	DATE	APP'D
A	DR8046	RELEASED	1/5/06	T.M.
B	ECN2625	ENCODER WIRE CODE CHANGED	1/20/06	T.M.

Clockwise rotation, viewed from the motor shaft, results in these waveforms.

Encoder Waveforms

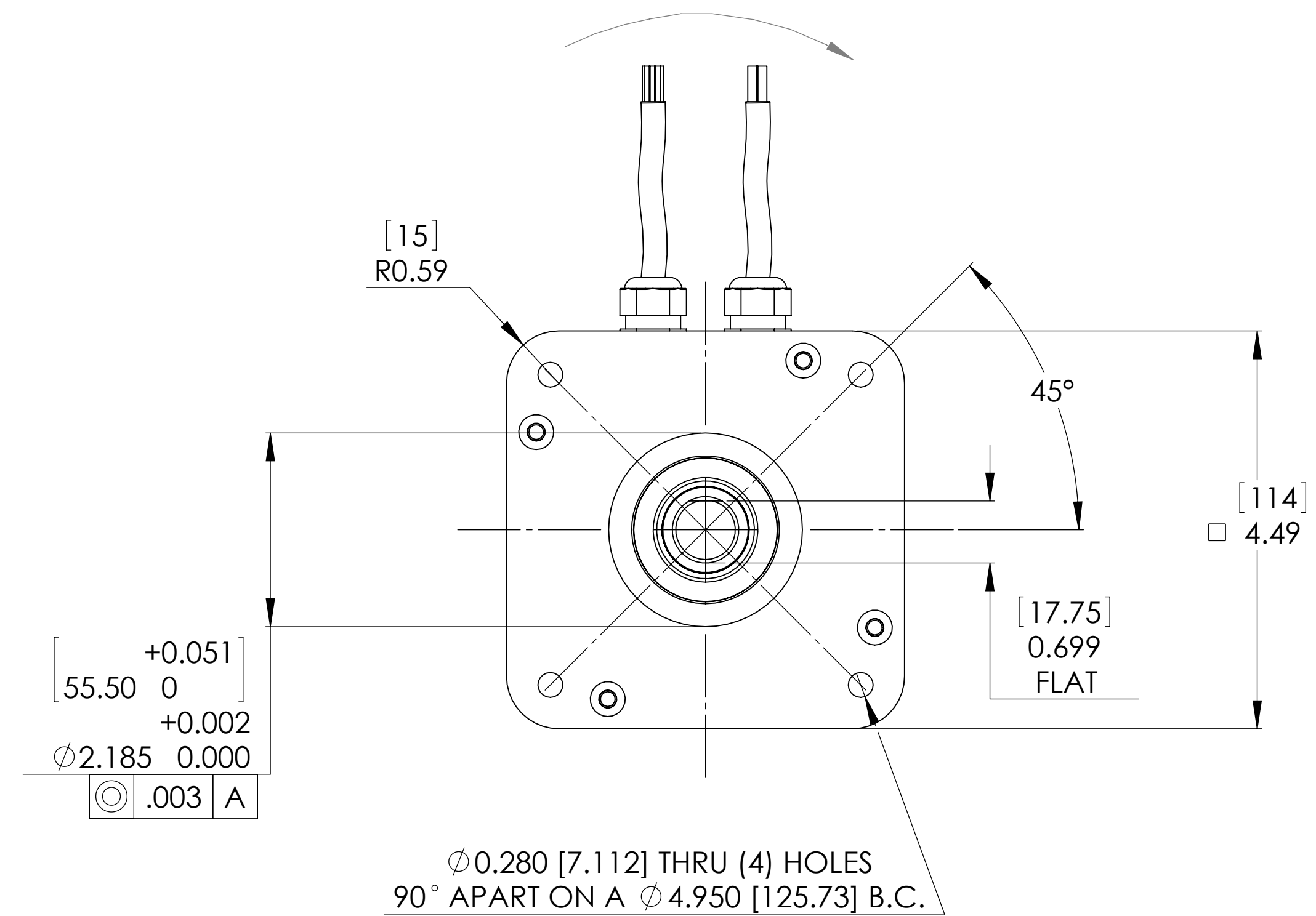
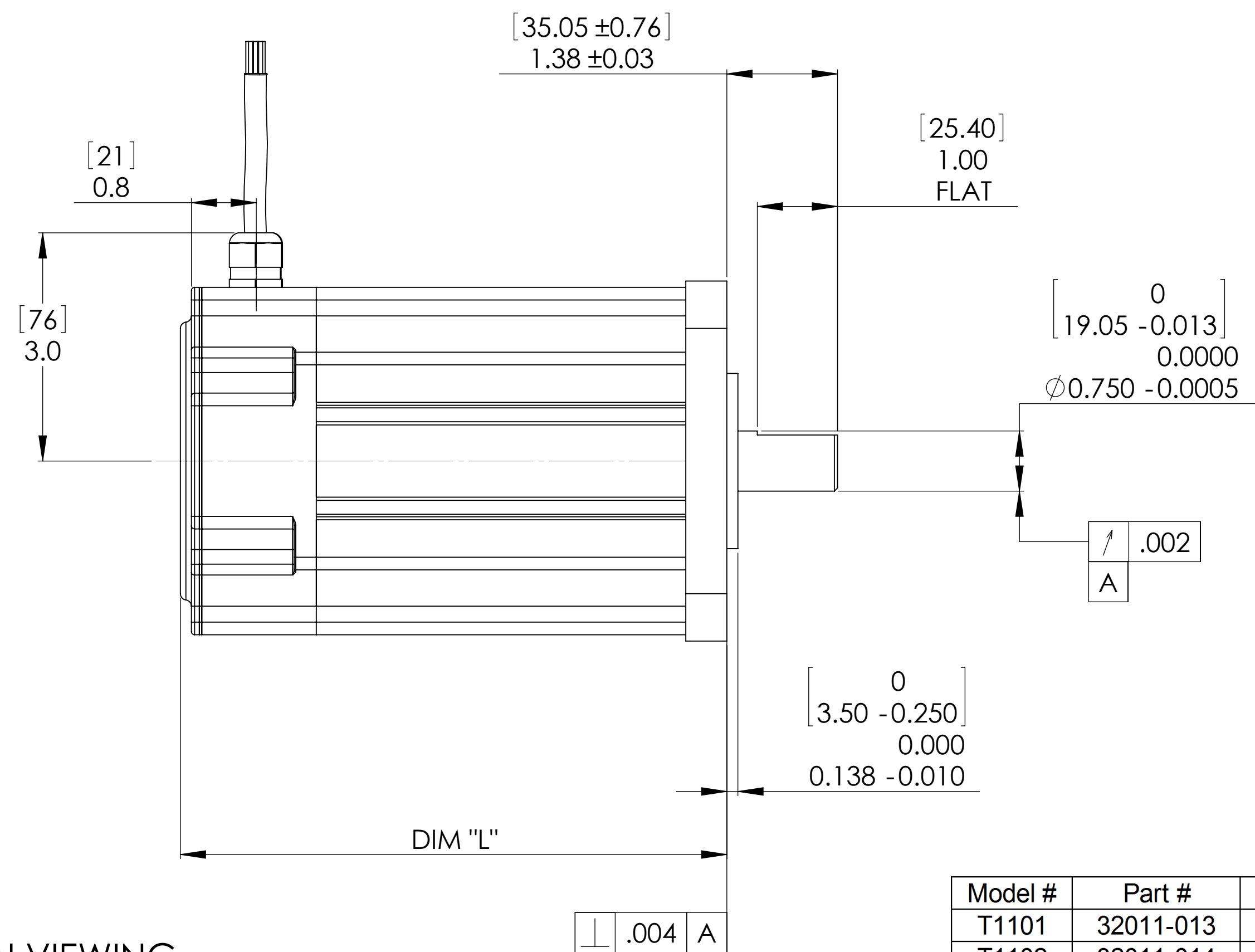
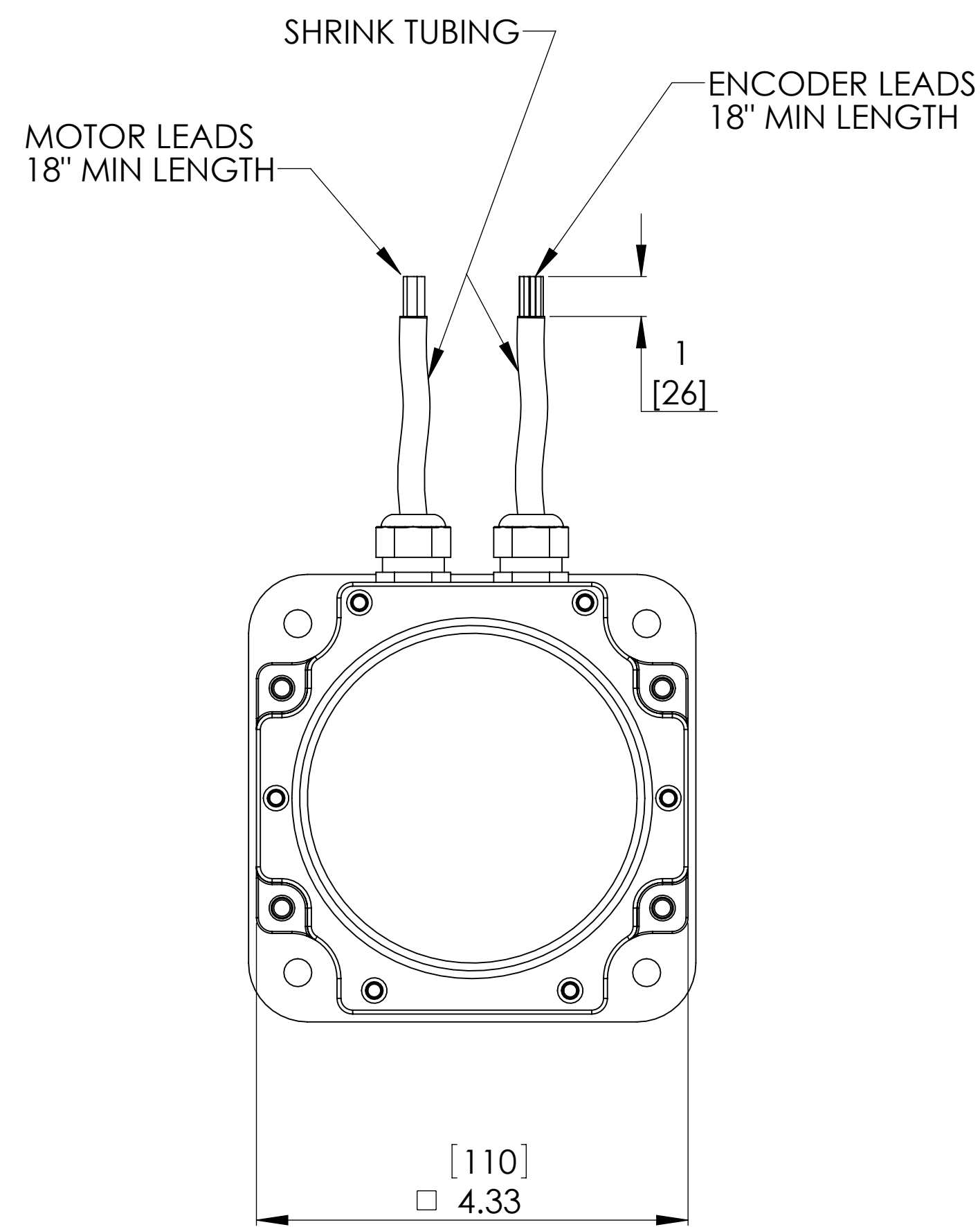
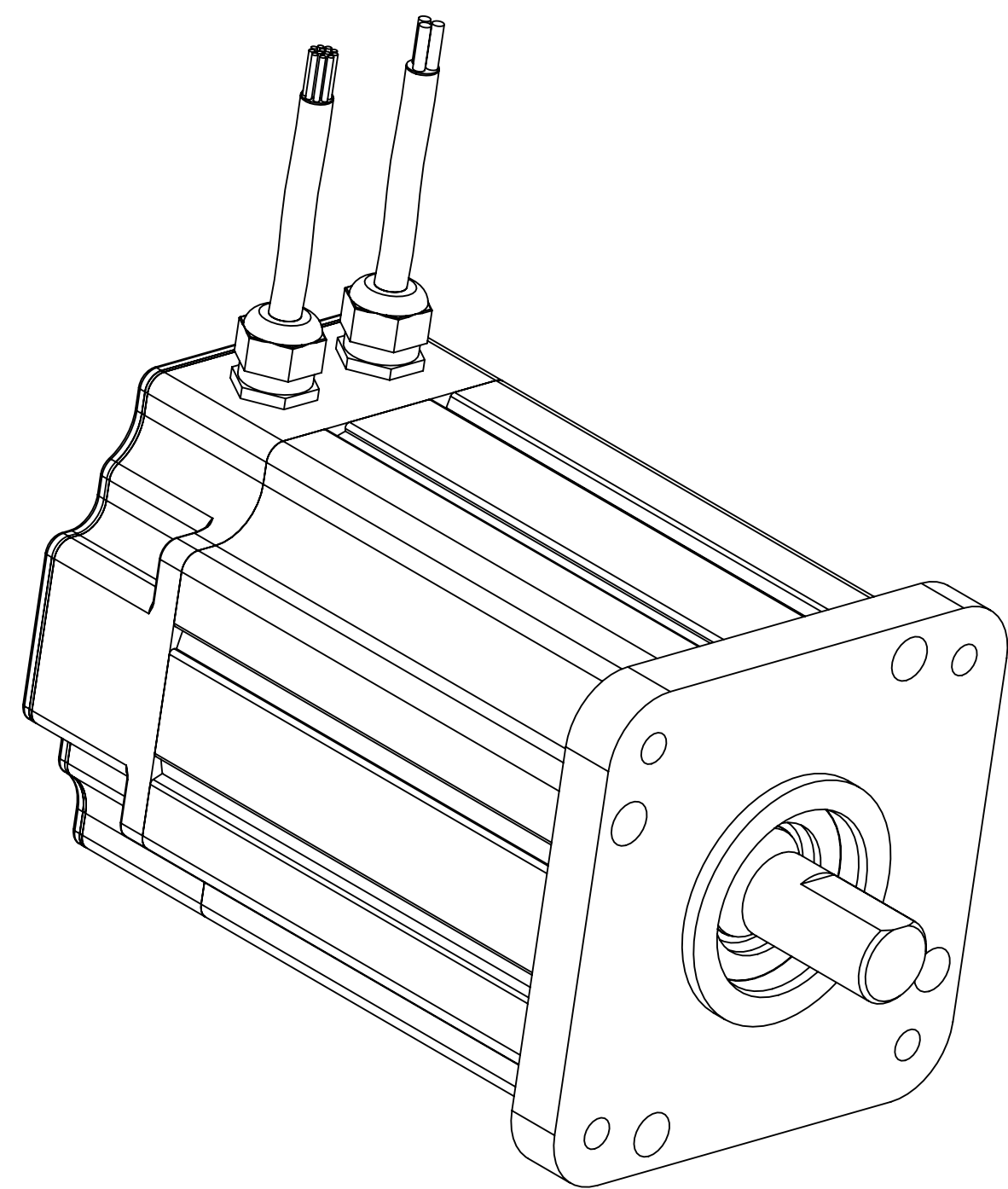


Motor Waveforms CW



ENCODER CABLE WIRING CODE		
FROM	WIRE COLOR	WIRE SIZE
OUTPUT A	BROWN	# 28 AWG.
OUTPUT A'	WHITE	# 28 AWG.
OUTPUT B	BLUE	# 28 AWG.
OUTPUT B'	GREEN	# 28 AWG.
OUTPUT Z	ORANGE	# 28 AWG.
OUTPUT Z'	YELLOW	# 28 AWG.
OUTPUT U (H3)	VIOLET	# 28 AWG.
OUTPUT V (H2)	BROWN/WHITE	# 28 AWG.
OUTPUT W (H1)	ORANGE/WHITE	# 28 AWG.
CASE GROUND	BLACK WHITE	# 28 AWG.
CABLE SHIELD	DRAIN	# 28 AWG.
+ 5 VDC	RED	# 28 AWG.
COMMON	BLACK	# 28 AWG.

MOTOR CABLE WIRING CODE		
FROM	WIRE COLOR	WIRE SIZE
MOTOR M1	WHITE	# 12 AWG
MOTOR M3	RED	# 12 AWG
MOTOR M2	BLACK	# 12 AWG
CASE	GREEN	# 12 AWG



NOTES:

1. ROTATION: CLOCKWISE MOTOR ROTATION VIEWING DRIVE END OCCURS WHEN PHASE A LEADS PHASE B, PHASE B LEADS PHASE C.

Model #	Part #	DIM "L" (in)	DIM "L" (mm)
T1101	32011-013	5.6	142
T1102	32011-014	6.8	173
T1103	32011-015	8.1	204
T1104	32011-016	9.3	235

DIMENSIONS IN BRACKETS [DUAL] ARE IN MILLIMETERS

<p>NOTICE Information contained herein is the sole property of MTI Torque Systems, Inc. This may not be reproduced, copied, or posted in any manner in part or whole without the written permission by MTI Torque Systems, Inc.</p>		<p>APPLICATION NEXT ASSY USED ON 110mm</p>		<p>MonteVideo Technology, Inc. (MTI) A Motor And Control Company TORQUE SYSTEMS</p>
<p>DATE: 8/4/05</p>		<p>DRAWN: 8/4/05</p>		
<p>THIRD ANGLE PROJECTION</p>		<p>CHECKED: _____</p>		<p>FILE: OUTLINE 110 mm .75" NEMA42 W/ENCODER, LEADS & FLAT</p>
<p>FINISH: _____</p>		<p>APPROVED: _____</p>		
<p>SCALE: 1:1</p>		<p>SHEET 1 OF 1</p>		<p>CAD FILE: 32011-013-016.SDDRAW</p>