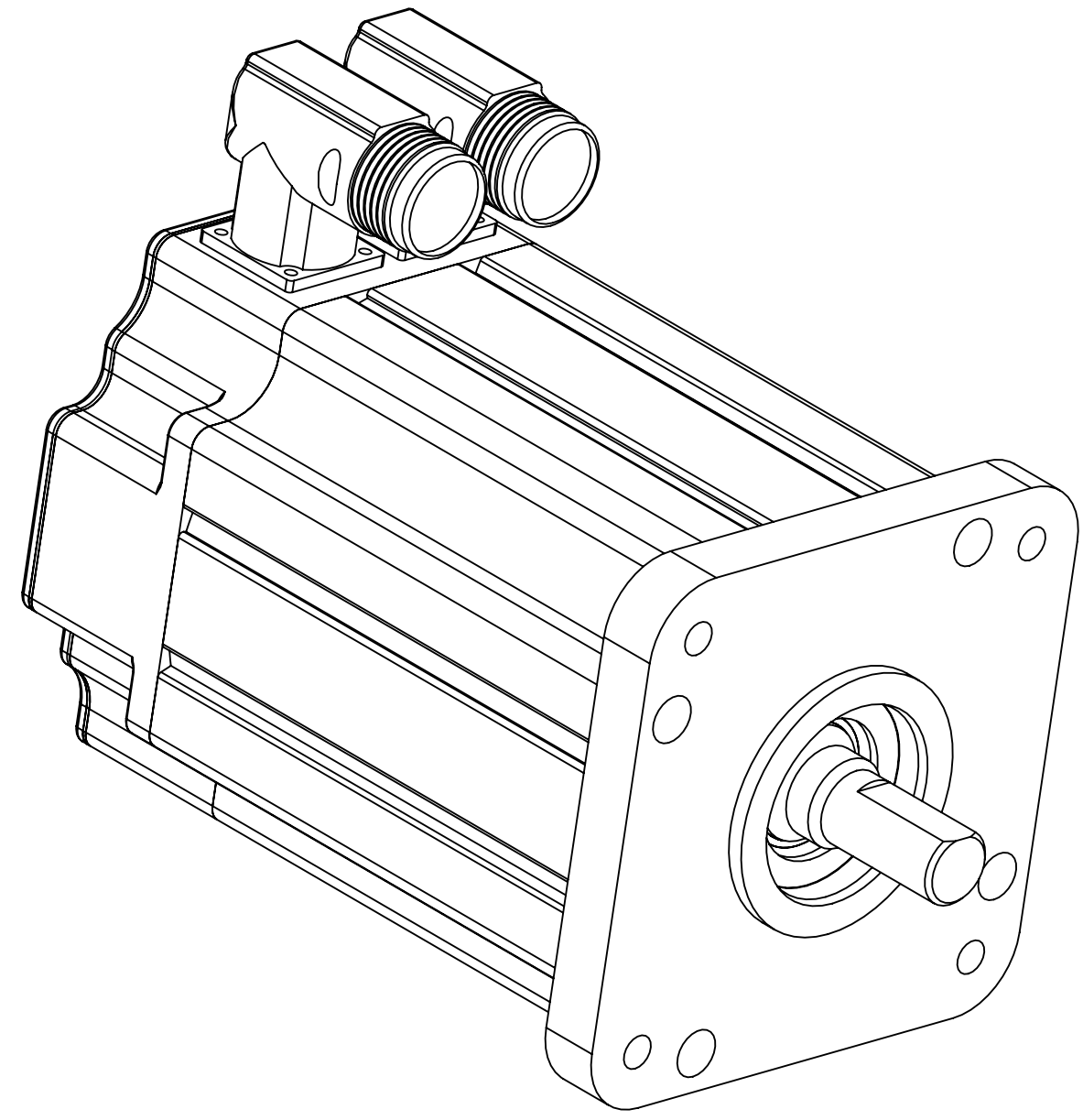
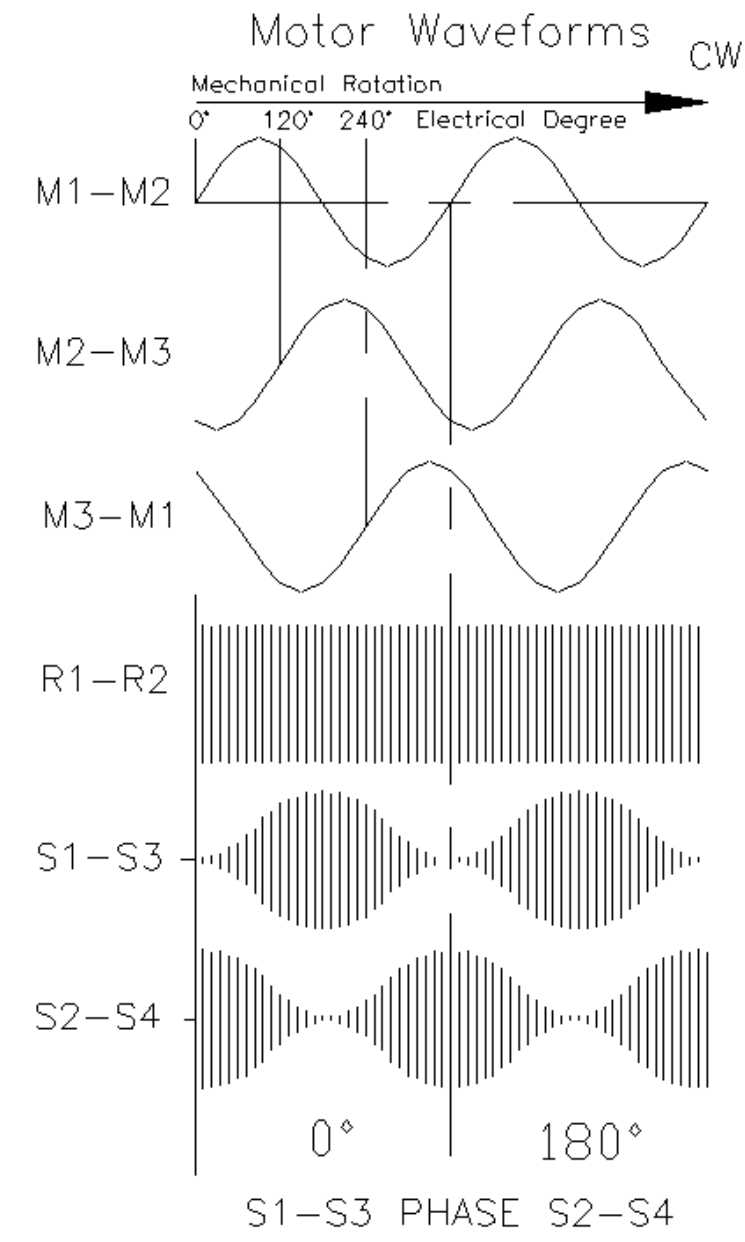
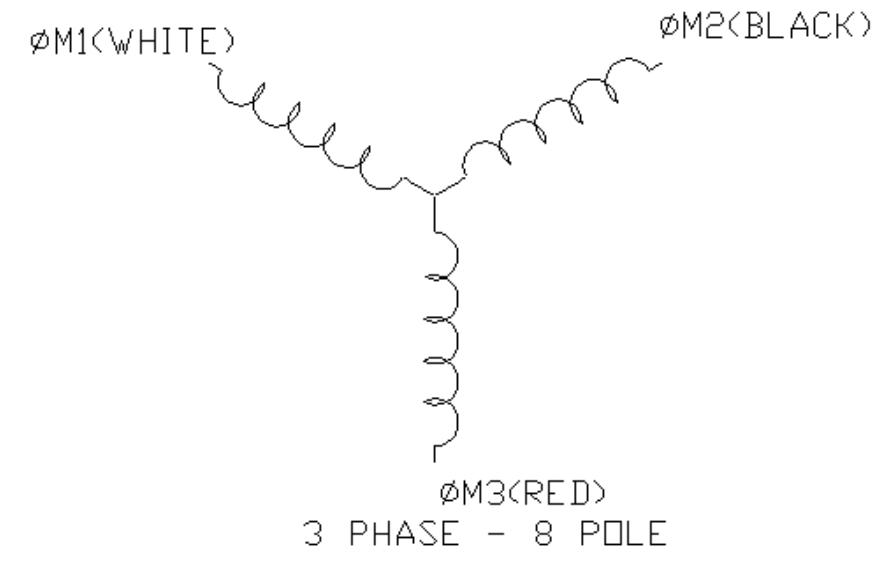


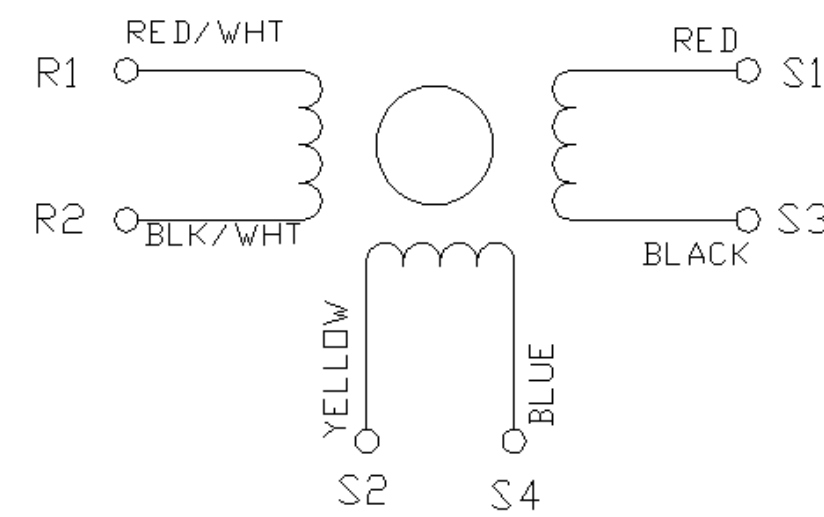
REVISIONS				
REV	ECN	DESCRIPTION	DATE	APP'D
A	DR8902	RELEASED	10/02/08	RAL



Clockwise rotation, viewed from the motor shaft, results in these waveforms.



CONNECTION DIAGRAM

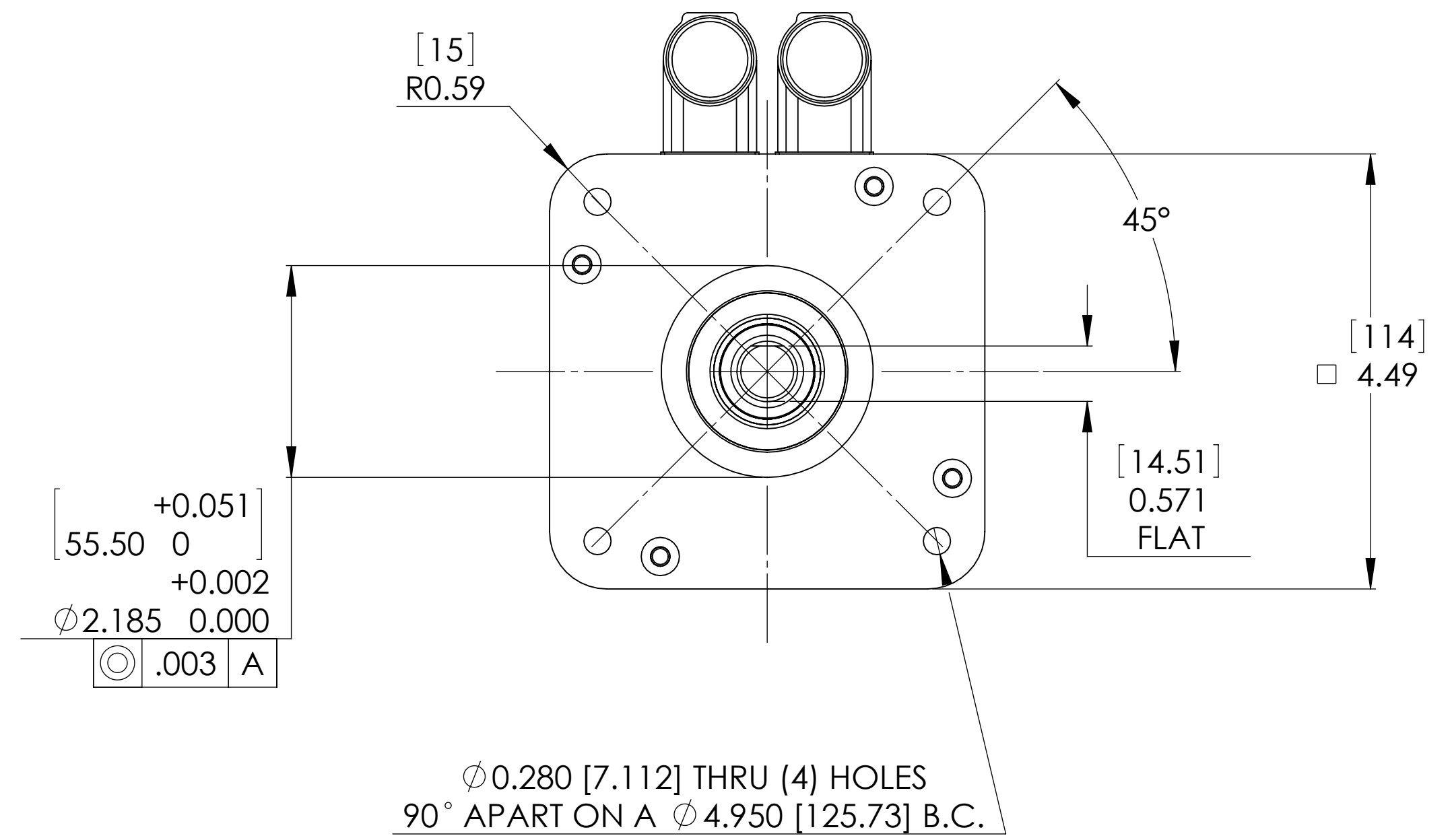
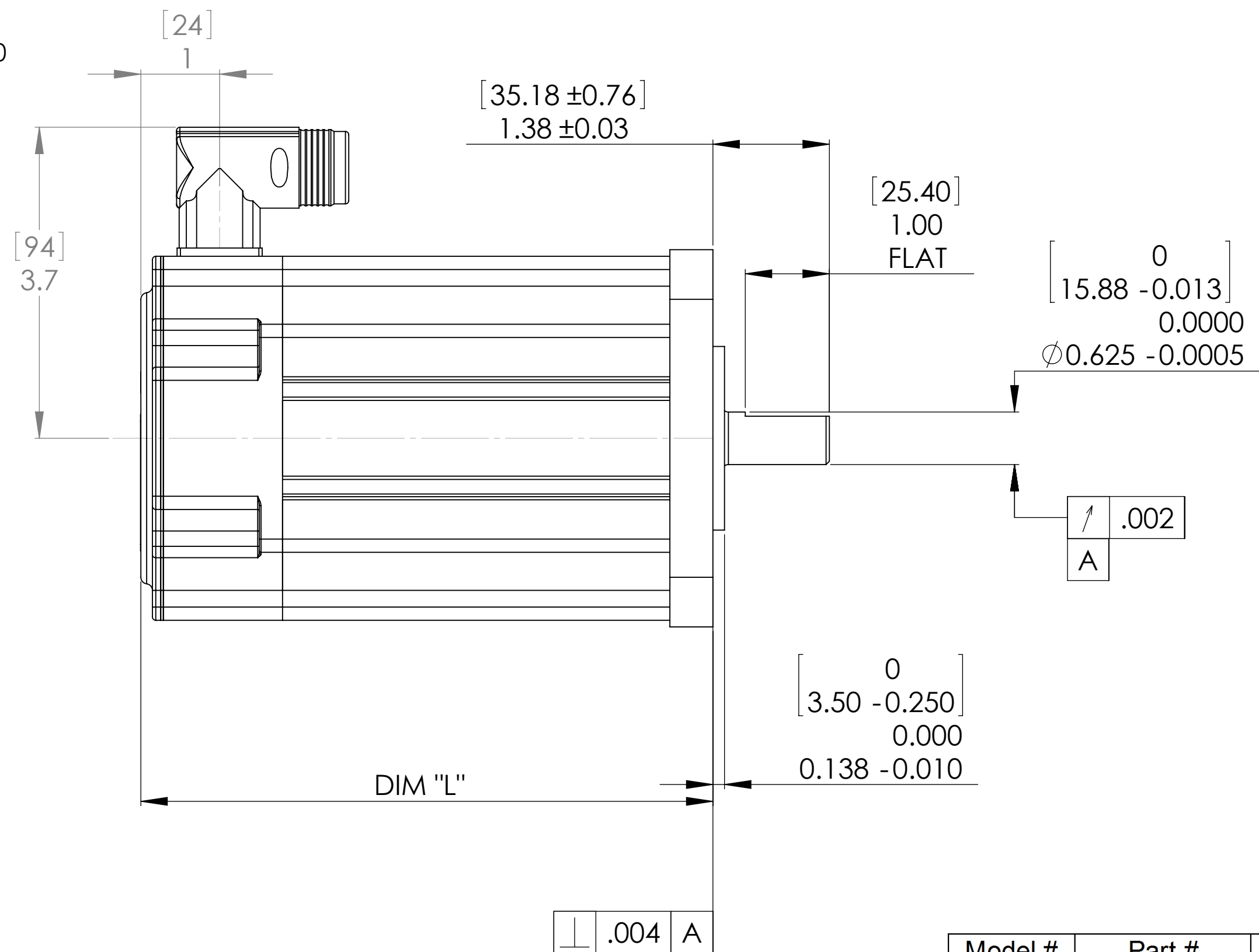
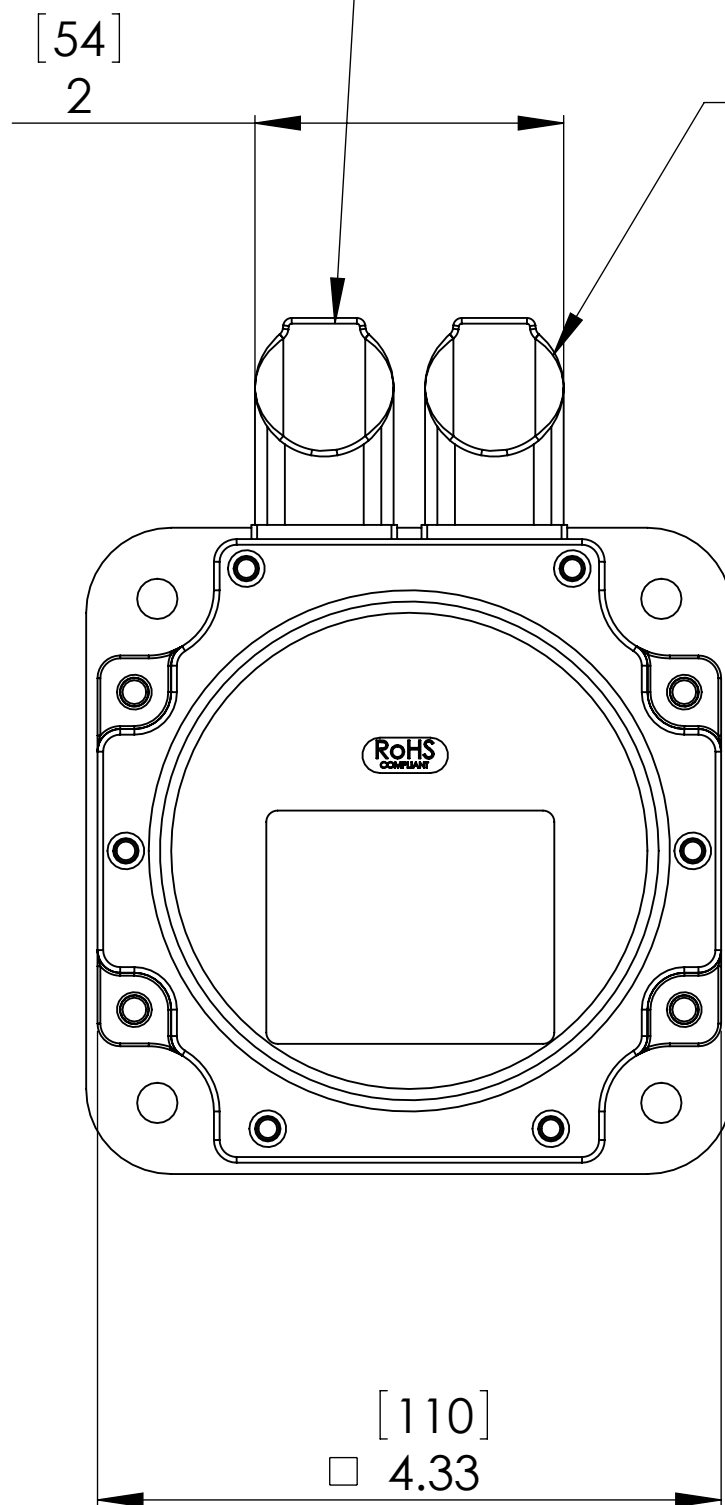


RESOLVER CONN. WIRING	
FROM	TO PIN
S4	3
S3	4
R2	5
S2	7
S1	8
R1	9

MOTOR CONN. WIRING CODE	
FROM	TO PIN
MOTOR M1	1
MOTOR M3	3
MOTOR M2	4
CASE	

MOTOR CONNECTOR
INTER CONTEC P/N:
BEDC-089-NN-00-00-0005-000

RESOLVER CONNECTOR
INTER CONTEC P/N:
AEDC-052-NN-00-00-0012-000



NOTES:

1. ROTATION: CLOCKWISE MOTOR ROTATION VIEWING DRIVE END OCCURS WHEN PHASE A LEADS PHASE B, PHASE B LEADS PHASE C.

Model #	Part #	DIM "L" (in)	DIM "L" (mm)
T1101	32011-017	5.6	142
T1102	32011-018	6.8	173
T1103	32011-019	8.1	204
T1104	32011-020	9.3	235

DIMENSIONS IN BRACKETS [DUAL] ARE IN MILLIMETERS

<p>Dimensions in INCHES MILLIMETER dimensions in [brackets] when used. All dimensions apply unless otherwise specified. Remove Bumps & Sharp Edges. Interpret dimensions and tolerances per ASME Y14.5M-1994.</p> <p>NOTICE Information contained herein is the sole property of MTI Torque Systems, Inc. This may not be reproduced, copied, or posted in any manner in part or whole without the written permission by MTI Torque Systems, Inc.</p>		<p>APPLICATION NEXT ASSY USED ON 110mm</p>		<p>MonteVideo Technology, Inc. (MTI) A Motor And Control Company TORQUE SYSTEMS</p> <p>TITLE OUTLINE 110 mm .625" NEMA42 W/RES, CONNECTORS & FLAT</p>
<p>THIRD ANGLE PROJECTION</p>		<p>DRAWN 8/4/05 CHECKED APPROVED</p>		
<p>FINISH</p>		<p>SCALE 1:1</p>		<p>REV. A SHEET 1 OF 1</p>

CAD FILE: 32011-017-020.SLDDRW