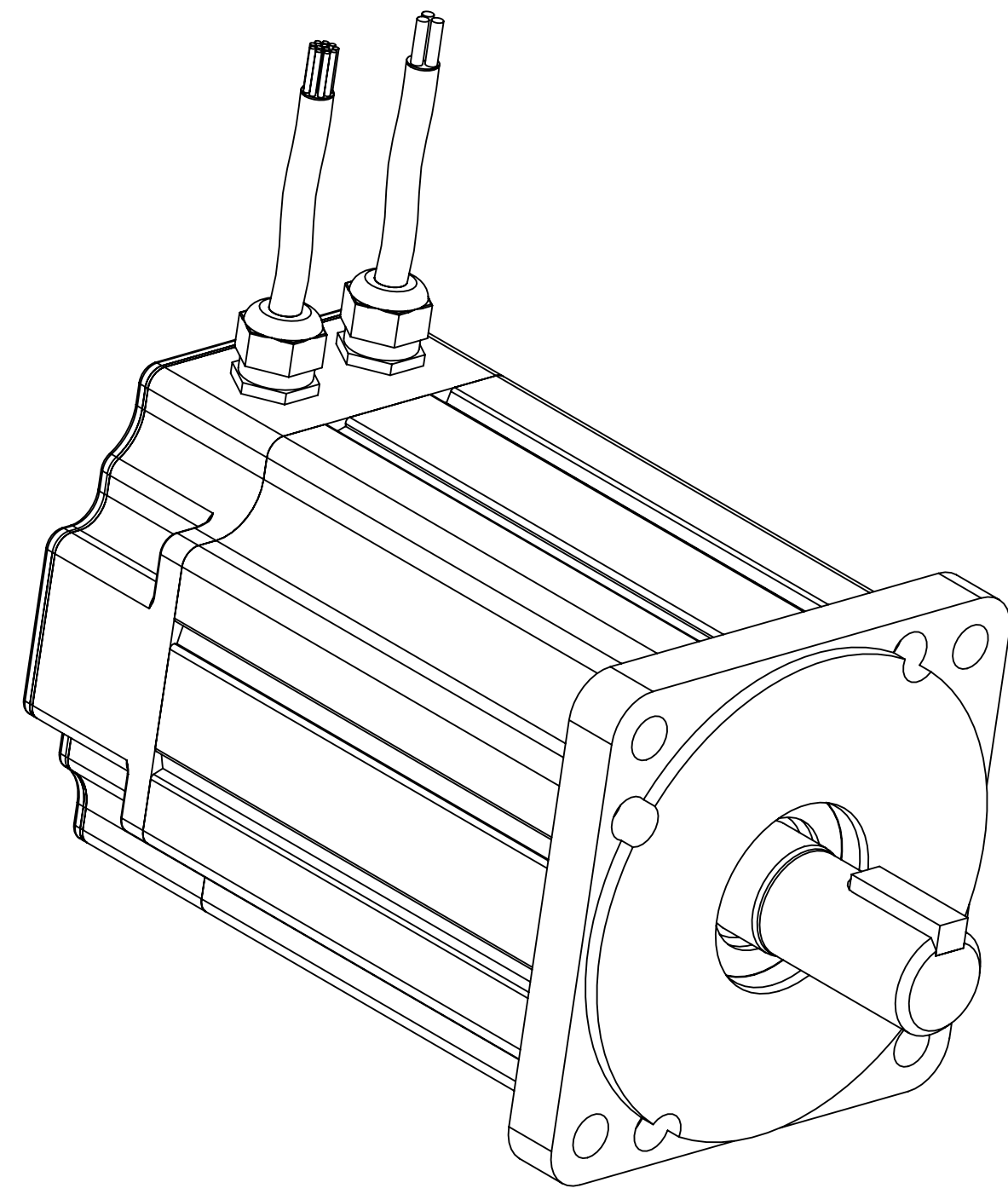
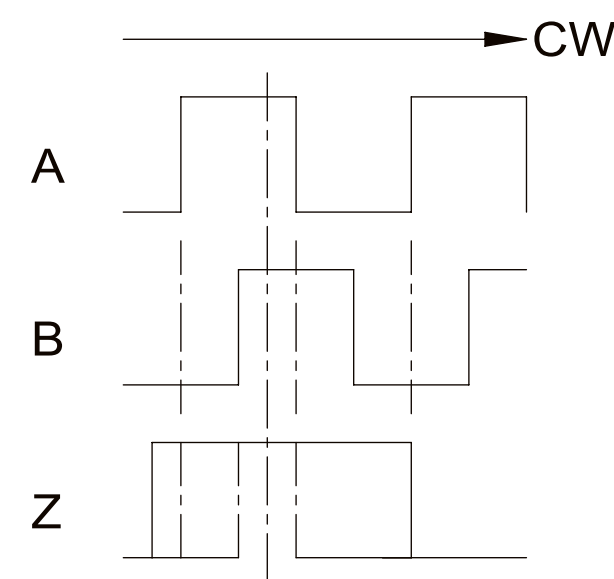


REVISIONS				
REV	ECN	DESCRIPTION	DATE	APP'D
A	DR7999	RELEASED	11/10/05	T.M.
B	ECN2625	ENCODER WIRE CODE CHANGED	1/20/06	T.M.

Clockwise rotation, viewed from the motor shaft, results in these waveforms.

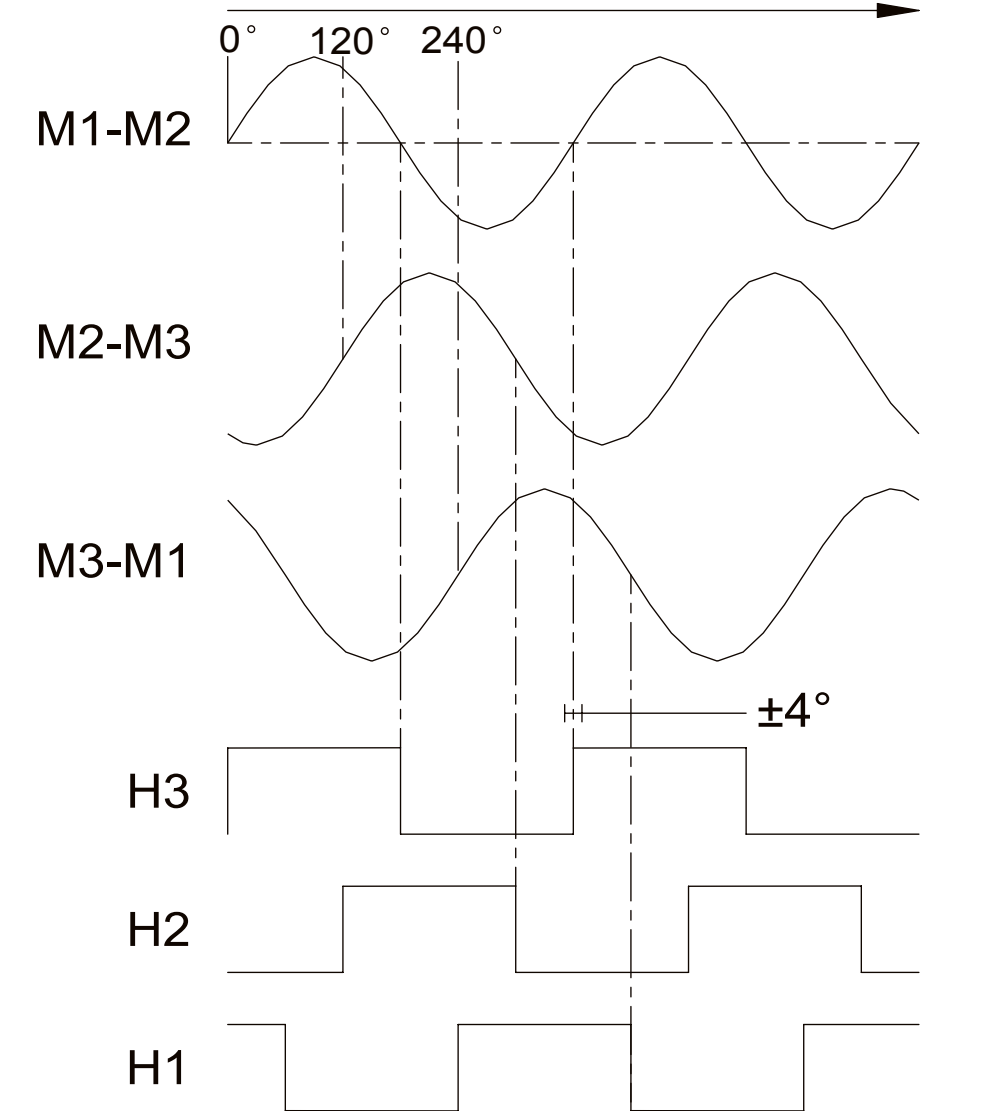


Encoder Waveforms



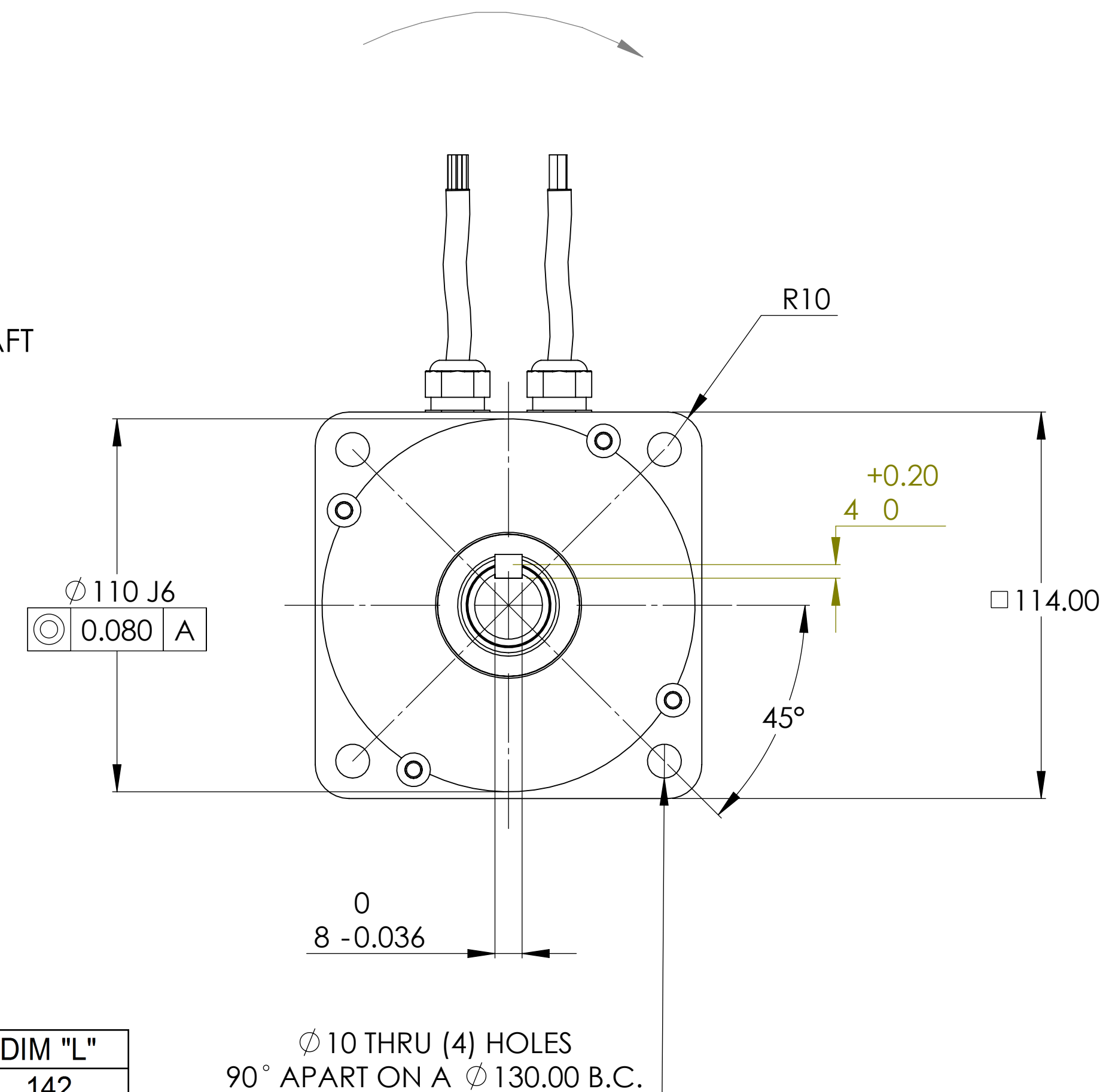
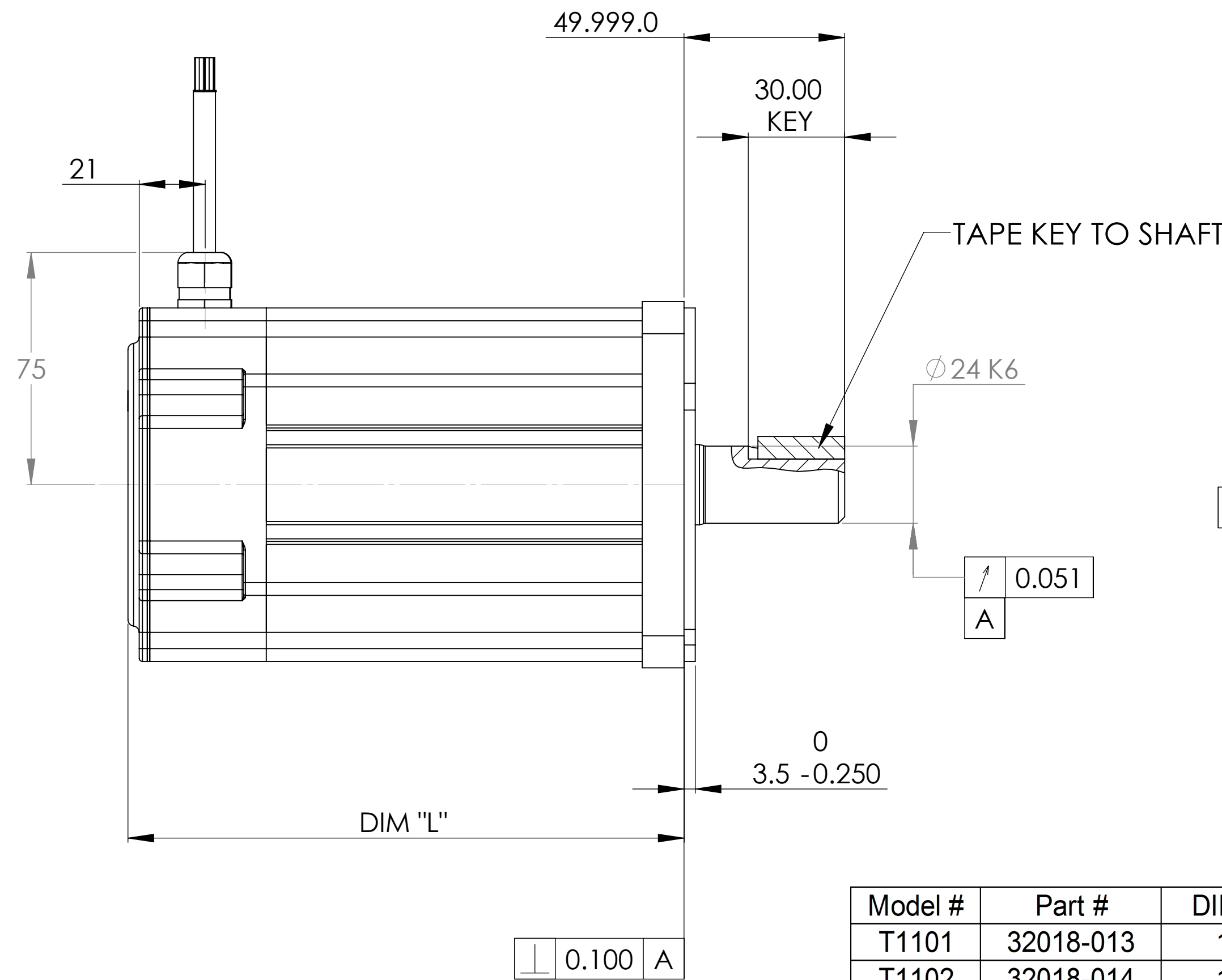
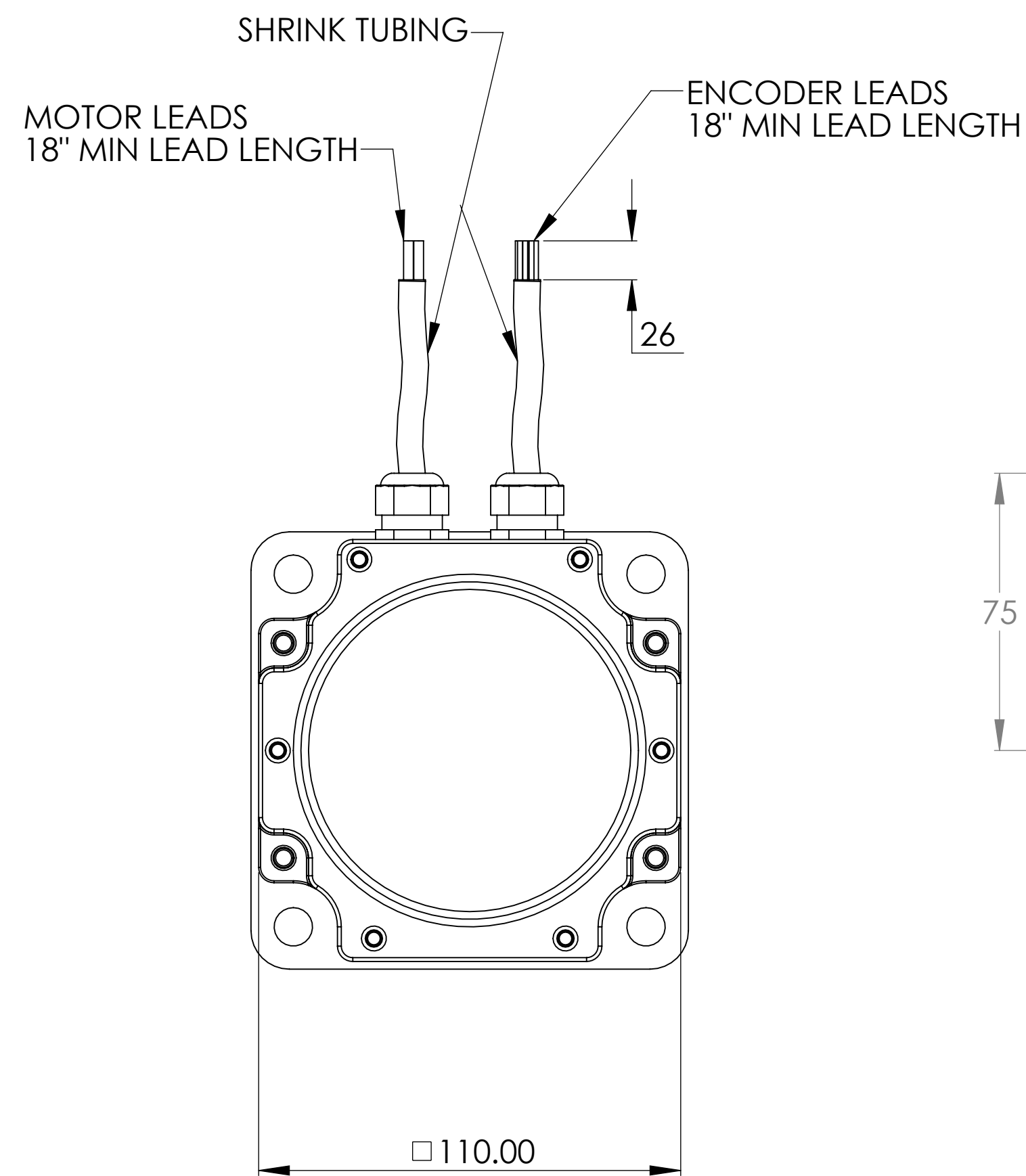
UNGATED ENCODER

Motor Waveforms CW



ENCODER CABLE WIRING CODE		
FROM	WIRE COLOR	WIRE SIZE
OUTPUT A	BROWN	# 28 AWG.
OUTPUT A'	WHITE	# 28 AWG.
OUTPUT B	BLUE	# 28 AWG.
OUTPUT B'	GREEN	# 28 AWG.
OUTPUT Z	ORANGE	# 28 AWG.
OUTPUT Z'	YELLOW	# 28 AWG.
OUTPUT U (H3)	VIOLET	# 28 AWG.
OUTPUT V (H2)	BROWN/WHITE	# 28 AWG.
OUTPUT W (H1)	ORANGE/WHITE	# 28 AWG.
CASE GROUND	BLACK WHITE	# 28 AWG.
+ 5 VDC	RED	# 28 AWG.
COMMON	BLACK	# 28 AWG.

MOTOR CABLE WIRING CODE		
FROM	WIRE COLOR	WIRE SIZE
MOTOR M1	WHITE	# 12 AWG
MOTOR M3	RED	# 12 AWG
MOTOR M2	BLACK	# 12 AWG
CASE	GREEN	# 12 AWG



Model #	Part #	DIM "L"
T1101	32018-013	142
T1102	32018-014	173
T1103	32018-015	204
T1104	32018-016	235

NOTES:

1. ROTATION: CLOCKWISE MOTOR ROTATION VIEWING DRIVE END OCCURS WHEN PHASE A LEADS PHASE B, PHASE B LEADS PHASE C.

**NOTICE**  
Information contained herein is the sole property of MTI Torque Systems, Inc. and shall not be reproduced, stored in a retrieval system, or transmitted in any form or by any means, electronic, mechanical, photocopying, recording, or by any information storage and retrieval system, without the prior written permission of MTI Torque Systems, Inc.

**MILLIMETERS (mm) TOLERANCES (UNLESS OTHERWISE SPECIFIED)**

XX	±0.25
XXX	±0.100
ANGLES	±0.30

**THIRD ANGLE PROJECTION**

APPROVED	DATE
9/14/05	9/14/05

**APPLICATION**

NEXT ASSY	USED ON
	110 mm

**MonteVideo Technology, Inc. (MTI)**  
A Motor And Control Company  
**TORQUE SYSTEMS**

**OUTLINE 110mm METRIC W/ENCODER & LEADS**

REV	CAGE CODE	DWG. NO.
C	54572	32018-013-016

SCALE 1:1 SHEET 1 OF 1

CAD GENERATED DRAWING. DO NOT MANUALLY UPDATE.

CAD FILE: 32018-013-016.SLDDRW