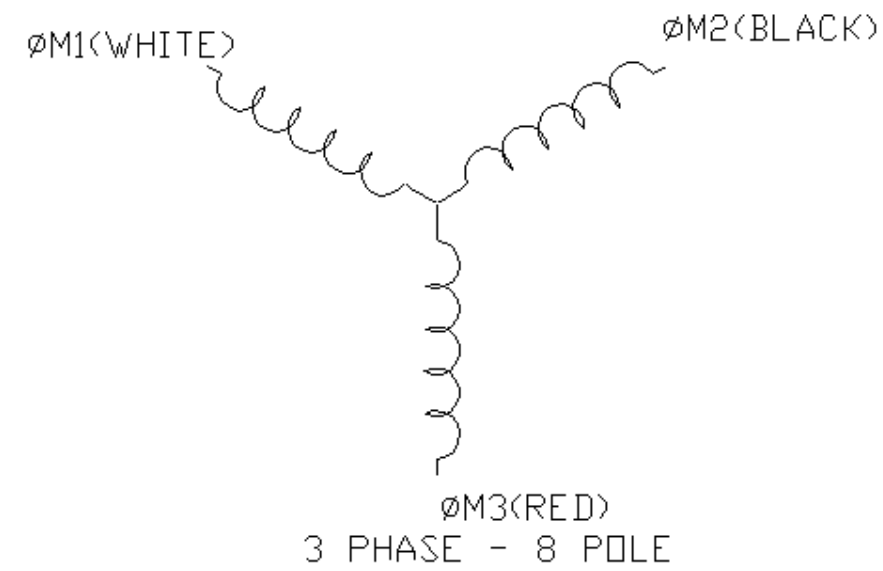
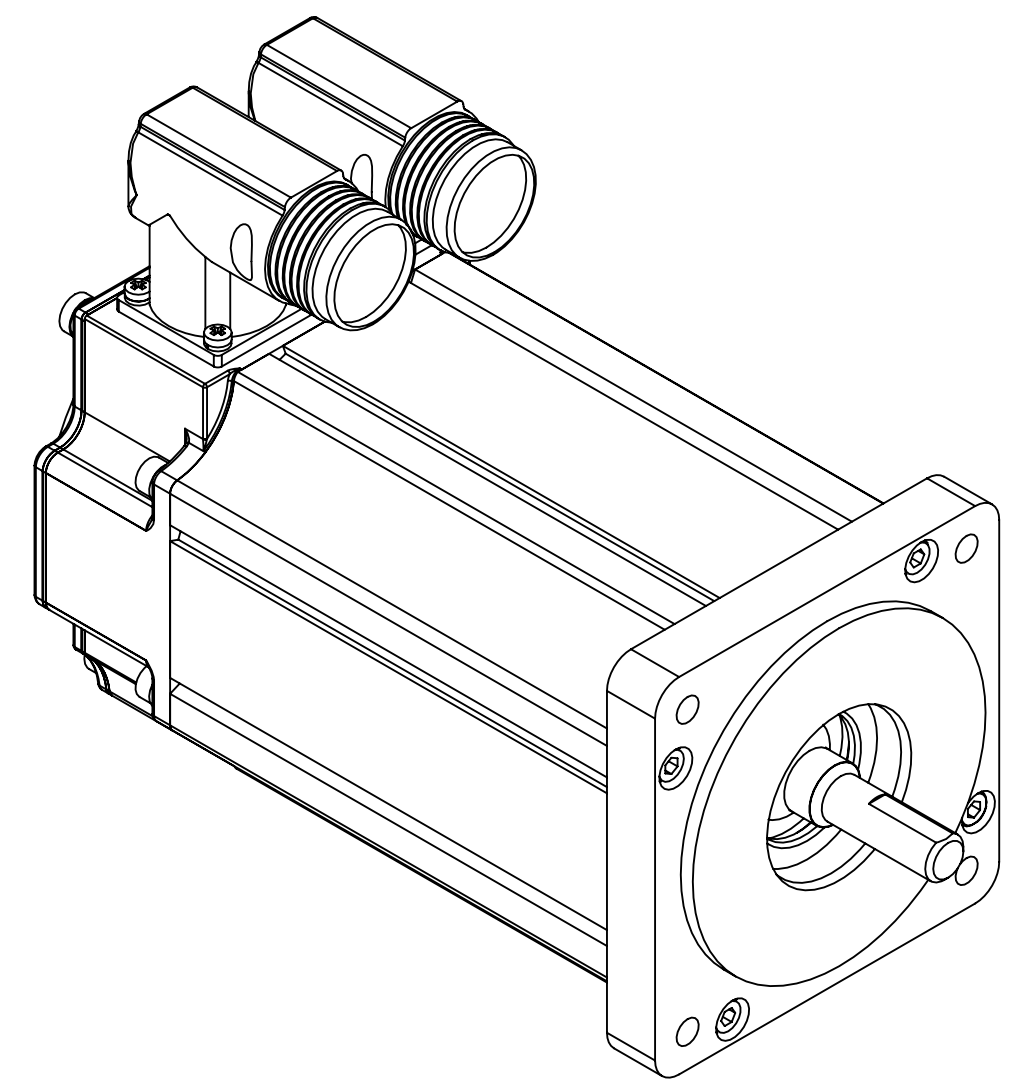
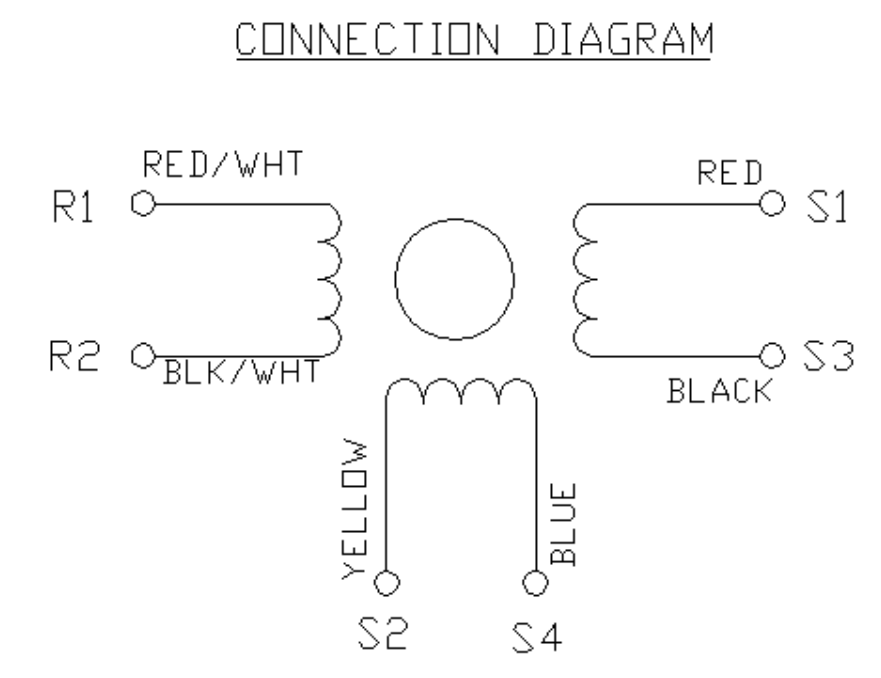
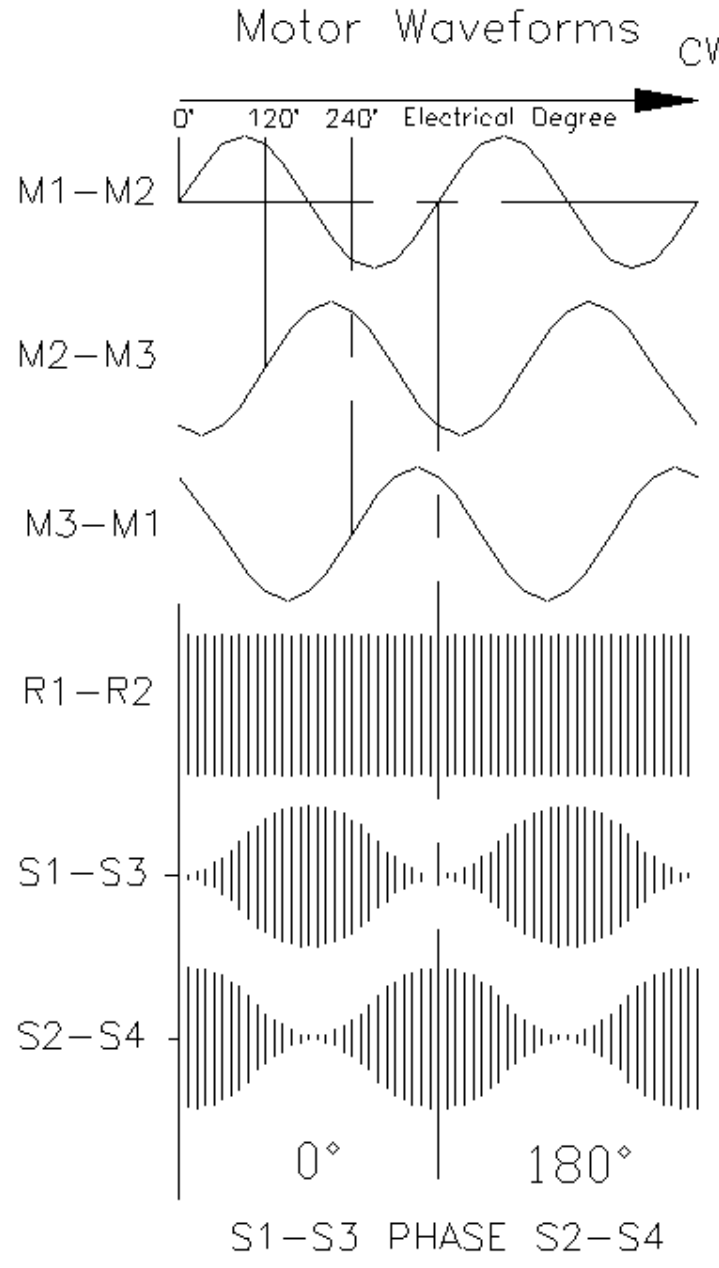


REVISIONS				
REV	ECN	DESCRIPTION	DATE	APP'D
A	DR8280	RELEASED	9/19/06	T.M.



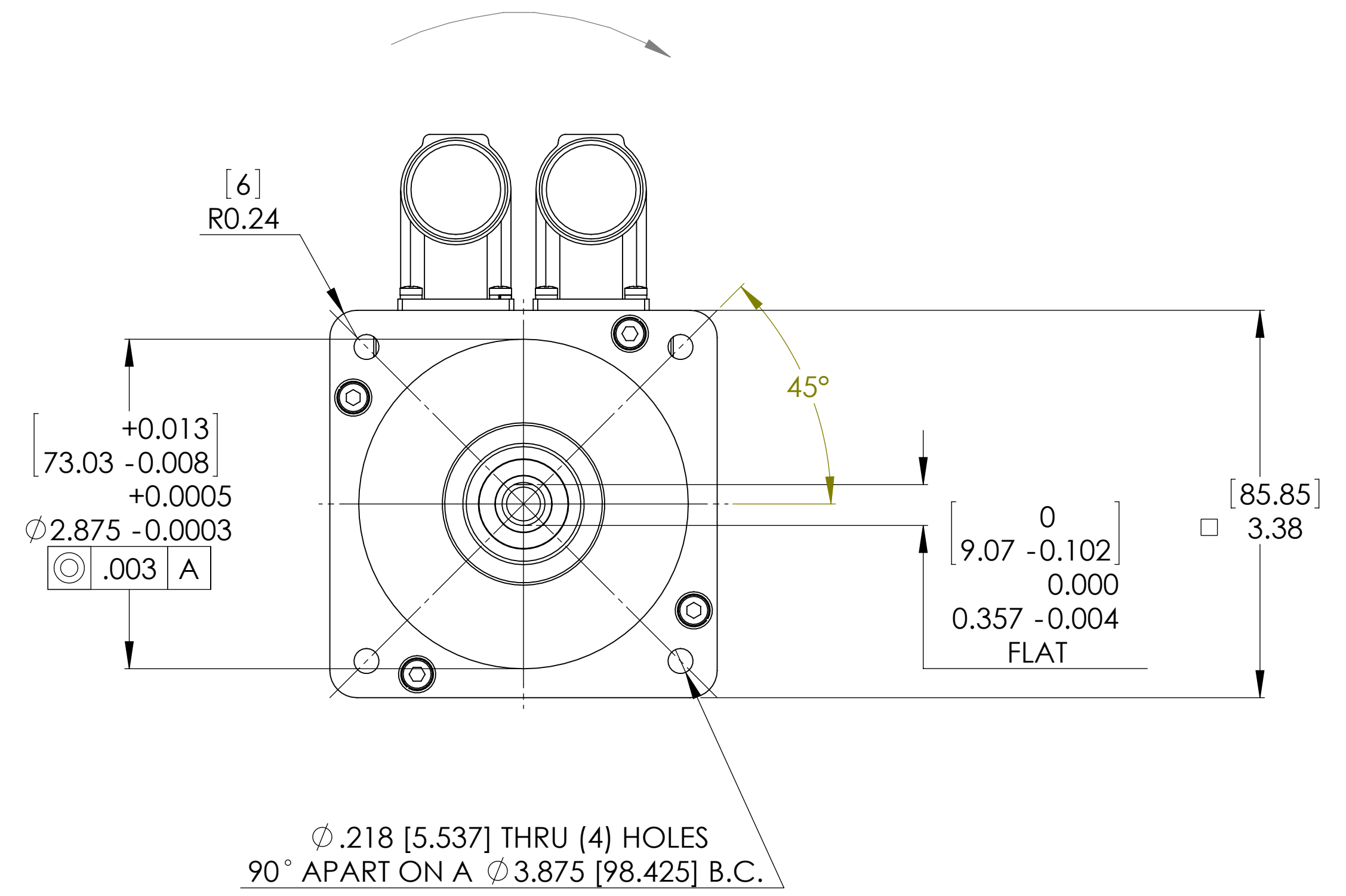
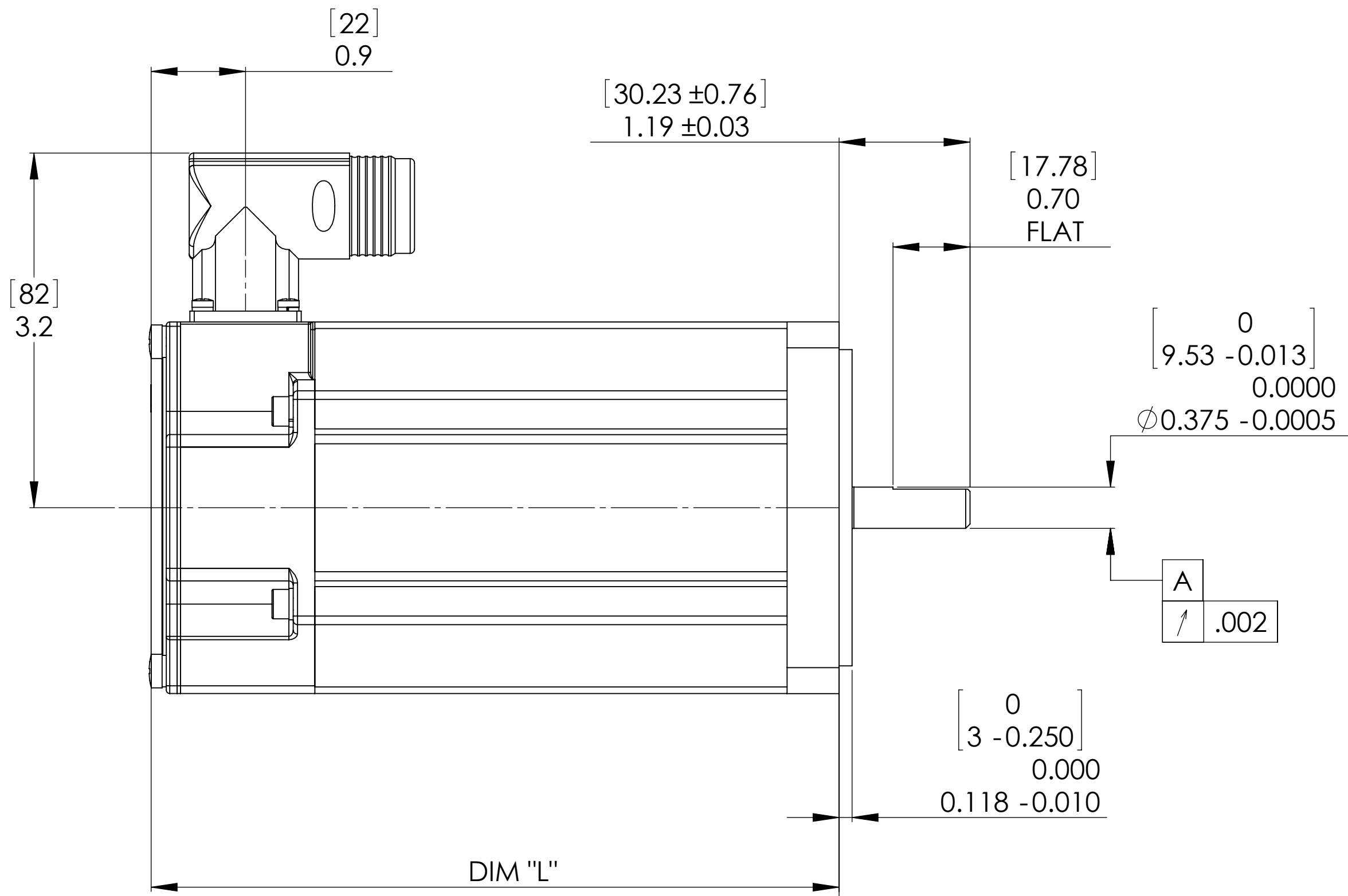
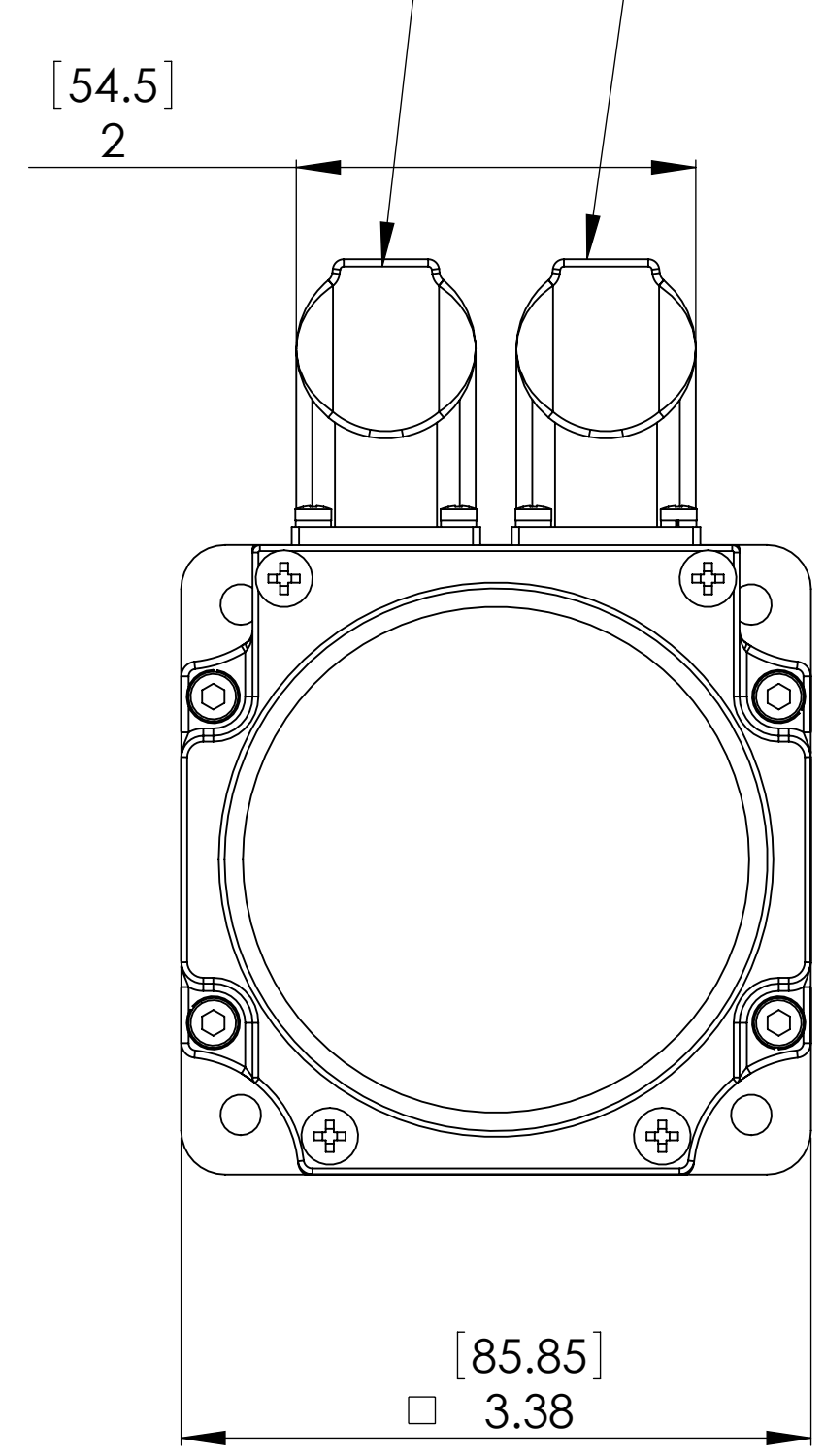
Clockwise rotation, viewed from the motor shaft, results in these waveforms.



RESOLVER CONN WIRING CODE	
FROM	TO PIN
S4	3
S3	4
R2	5
S2	7
S1	8
R1	9

MOTOR CONN. WIRING CODE	
FROM	TO PIN
MOTOR M1	1
MOTOR M3	3
MOTOR M2	4
CASE	

MOTOR CONNECTOR INTER CONTEC P/N: BEDC-089-NN-00-00-0005-000  
RESOLVER CONNECTOR INTER CONTEC P/N: AEDC-052-NN-00-00-0012-000



NOTES:  
1. ROTATION: CLOCKWISE MOTOR ROTATION VIEWING DRIVE END OCCURS WHEN PHASE A LEADS PHASE B, PHASE B LEADS PHASE C.

Model #	Part #	DIM "L"(in)	DIM "L"(mm)
T0851	31011-017	5.1	130
T0852	31011-018	6.3	159
T0853	31011-019	7.4	188
T0854	31011-020	8.5	217

DIMENSIONS IN BRACKETS [DUAL] ARE IN MILLIMETERS

<p><b>NOTICE</b> Information contained herein is the sole property of MTI Torque Systems, Inc. This may not be reproduced, copied, or posted in any manner in part or whole without the written permission by MTI Torque Systems, Inc.</p>		<p>APPLICATION NEXT ASSY USED ON 85mm</p>		<p>MonteVideo Technology, Inc. (MTI) A Motor And Control Company TORQUE SYSTEMS</p>
<p>THIRD ANGLE PROJECTION</p>		<p>DRAWN: T. MEZHER 7/26/05 CHECKED: APPROVED:</p>		
<p>FINISH: N/A</p>		<p>SCALE: 1:1</p>		<p>TITLE: OUTLINE 85 mm .375" NEMA34 W/RES CONNECTORS &amp; FLAT</p>
<p>DATE: 5/4/07</p>		<p>DWG. NO.: 31011-017-020</p>		<p>REV. A</p>

CAD FILE: 31011-017-020.SLDDRW