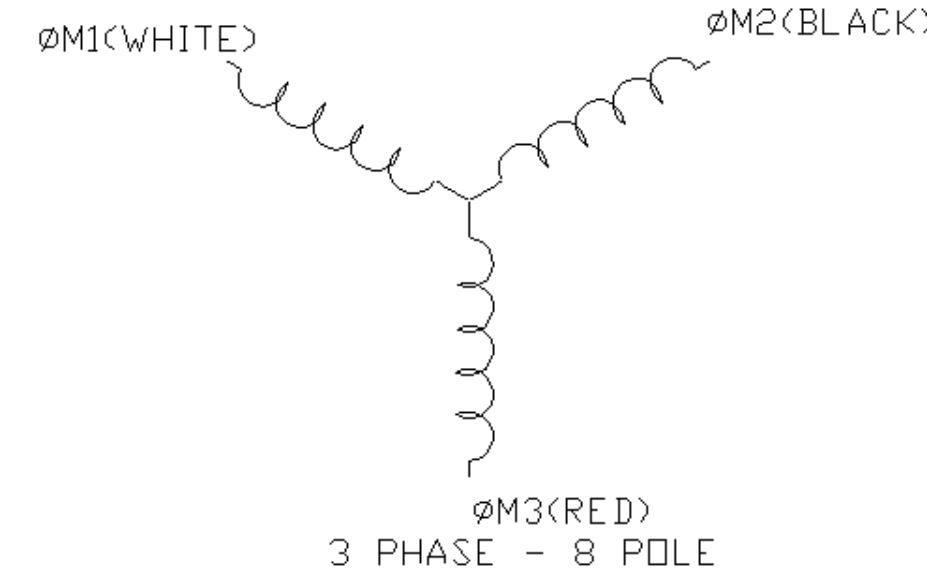
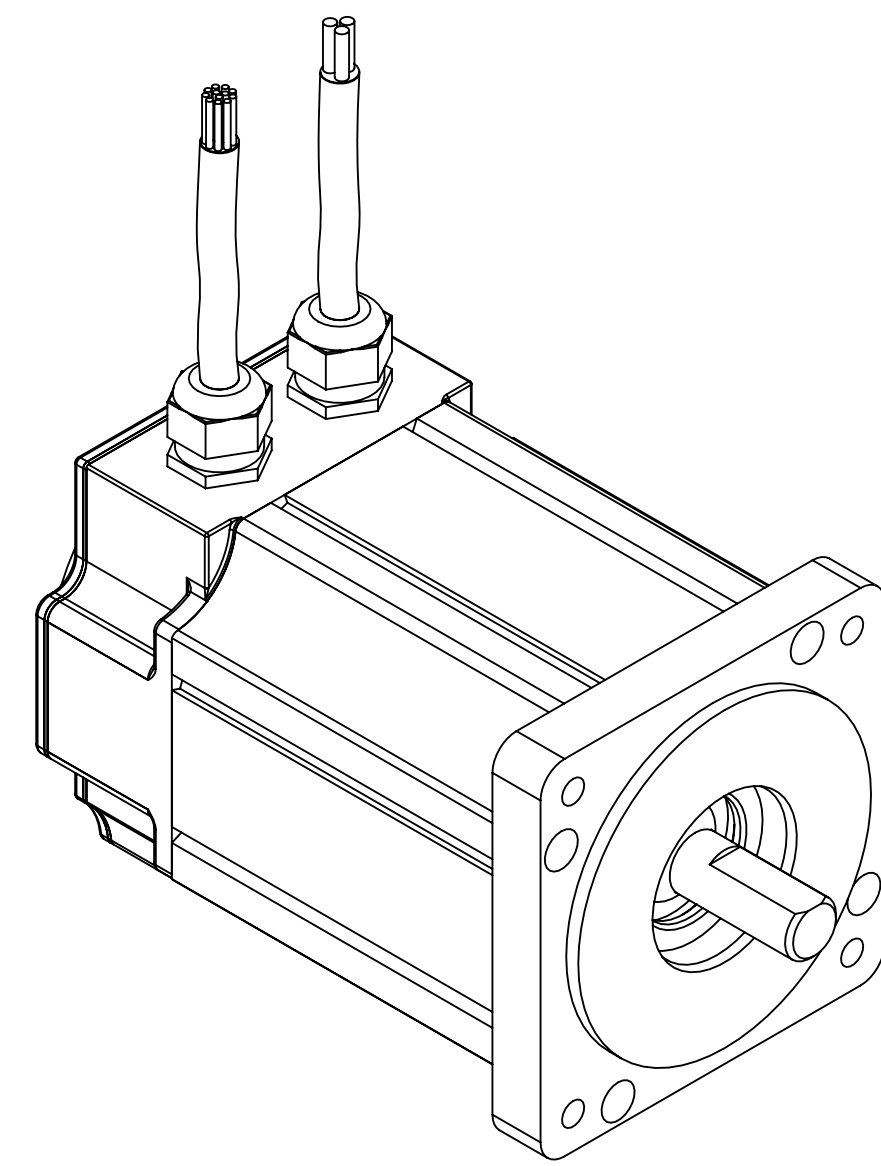
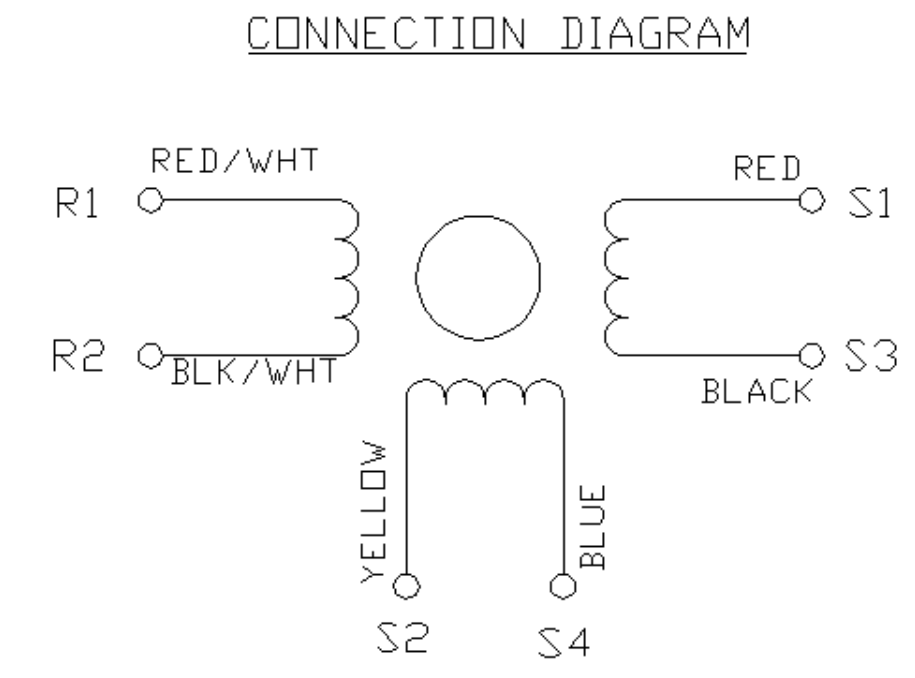
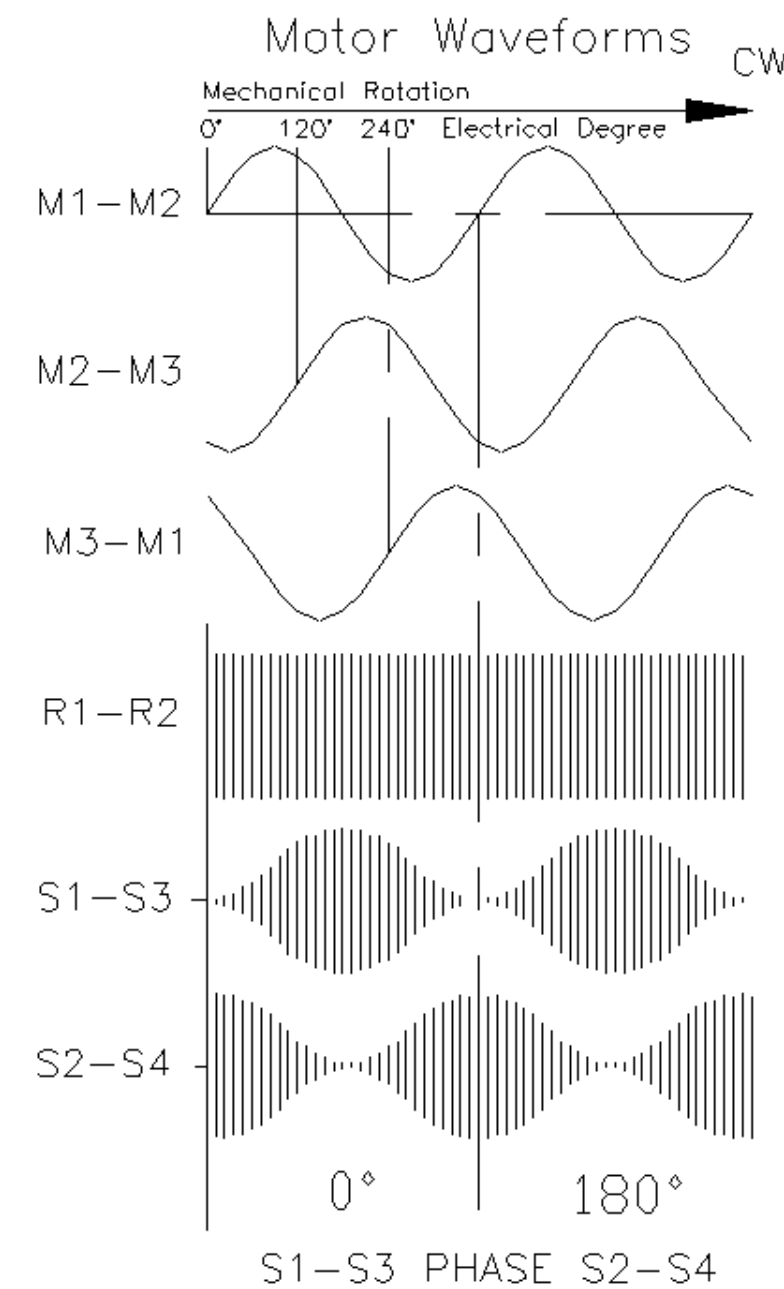


REVISIONS				
REV	ECN	DESCRIPTION	DATE	APP'D
A	DR8902	RELEASED	10/01/08	RAL

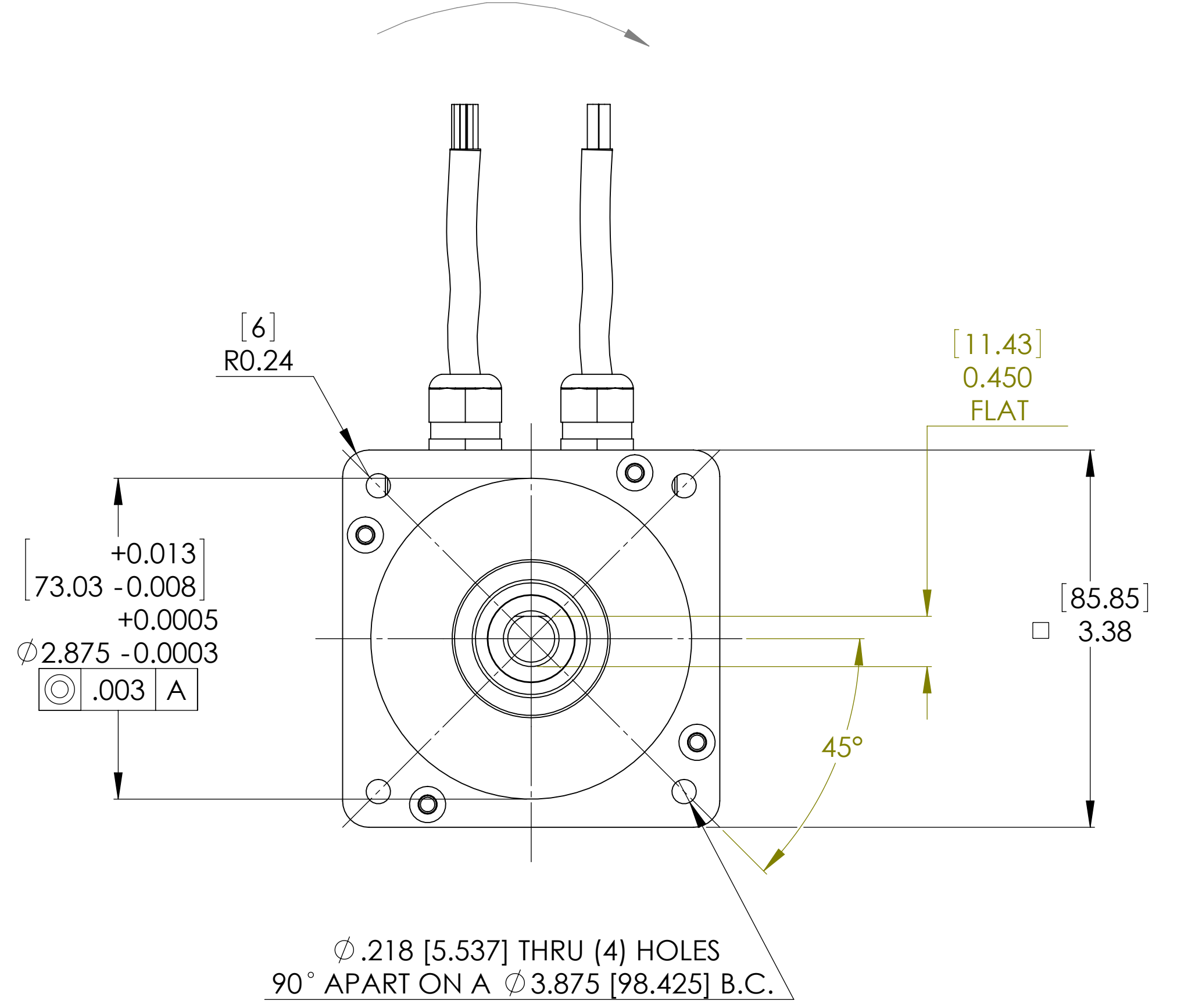
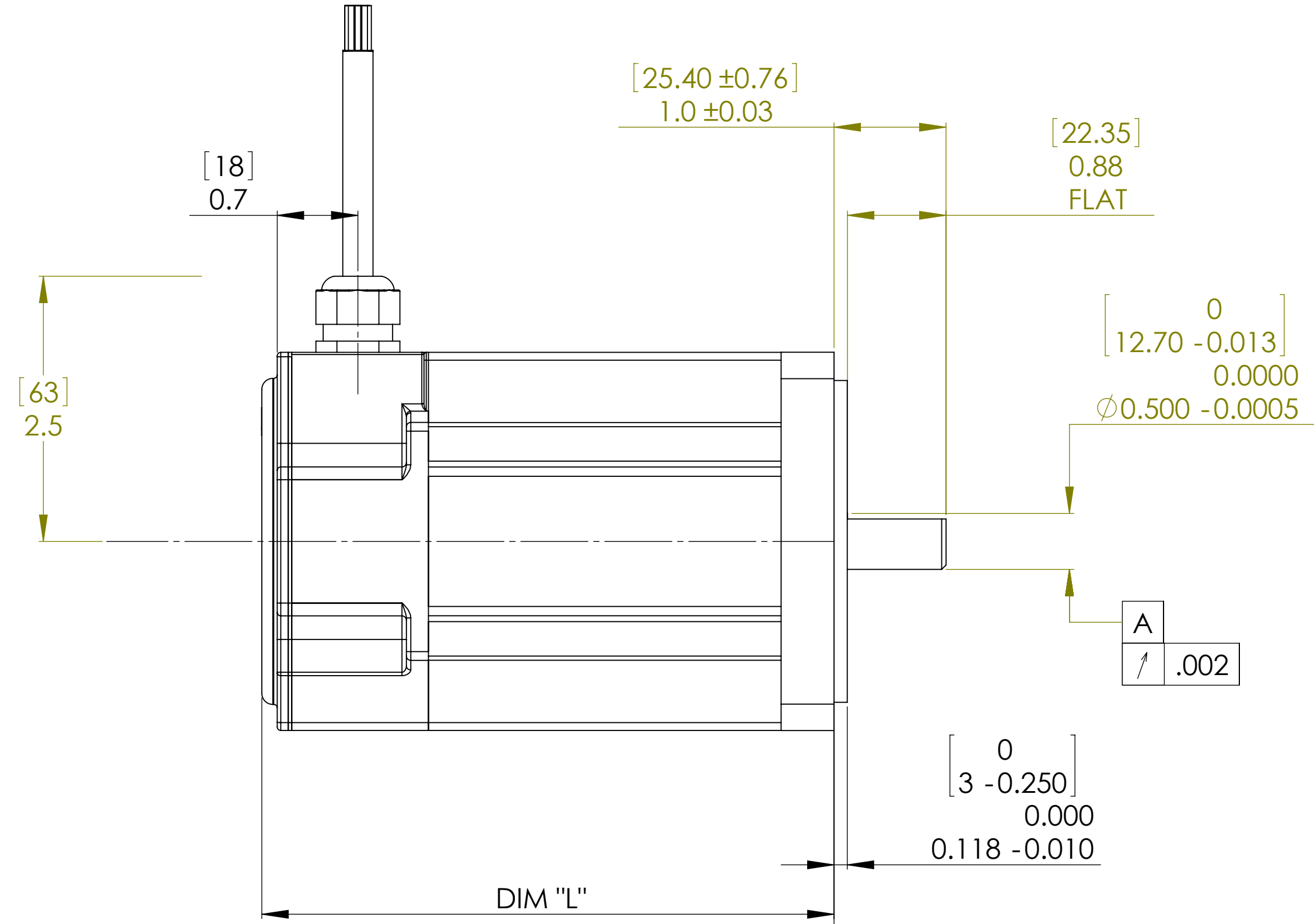
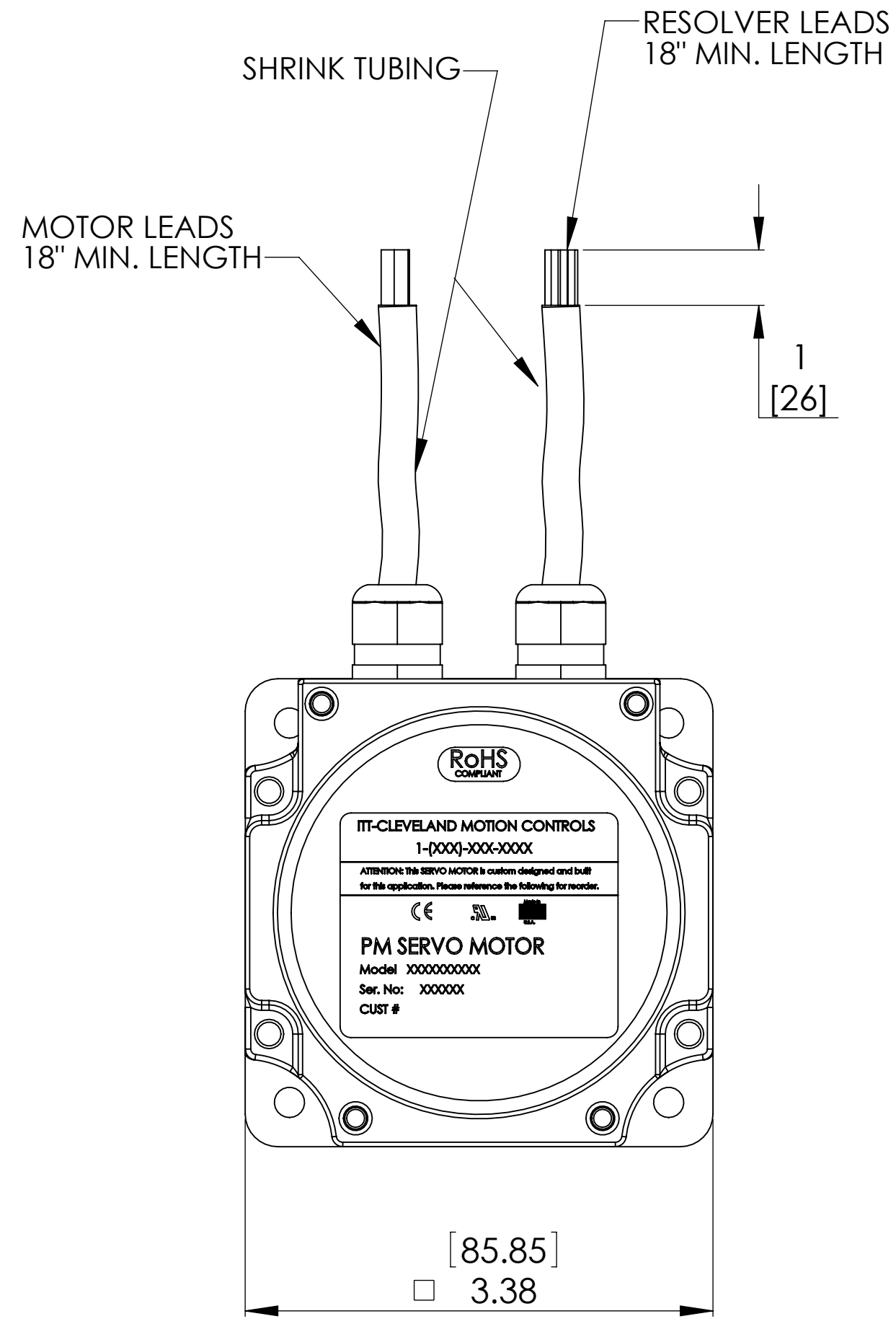


Clockwise rotation, viewed from the motor shaft, results in these waveforms.



RESOLVER CABLE WIRING CODE		
FROM	WIRE COLOR	WIRE SIZE
S4	BLUE	# 28 AWG
S3	BLACK	# 28 AWG
R2	BLK/WHT	# 28 AWG
S2	YELLOW	# 28 AWG
S1	RED	# 28 AWG
R1	RED/WHT	# 28 AWG

MOTOR CABLE WIRING CODE		
FROM	WIRE COLOR	WIRE SIZE
MOTOR M1	WHITE	# 12 AWG
MOTOR M2	BLACK	# 12 AWG
MOTOR M3	RED	# 12 AWG
CASE	GREEN	# 12 AWG



NOTES:
1. ROTATION: CLOCKWISE MOTOR ROTATION VIEWING DRIVE END OCCURS WHEN PHASE A LEADS PHASE B, PHASE B LEADS PHASE C.

Model #	Part #	DIM "L" (in)	DIM "L" (mm)
T0851	31011-005	5.1	130
T0852	31011-006	6.3	159
T0853	31011-007	7.4	188
T0854	31011-008	8.5	217

DIMENSIONS IN BRACKETS [DUAL] ARE IN MILLIMETERS

APPLICATION		
NEXT ASSY	USED ON	
85mm		TITLE: OUTLINE 85 mm .5" NEMA34 W/RESOLVER, LEADS & FLAT DATE: 7/26/05 DRAWN: [] CHECKED: [] APPROVED: [] SCALE: 1:1
CAGE CODE: D 54572	DWG. NO: 31011-005-008	

NOTICE: Information contained herein is the sole property of MTI Torque Systems, Inc. This may not be reproduced, copied, or posted in any manner in part or whole without the written permission by MTI Torque Systems, Inc.

CAD FILE: 31011-005-008.SLDDRW