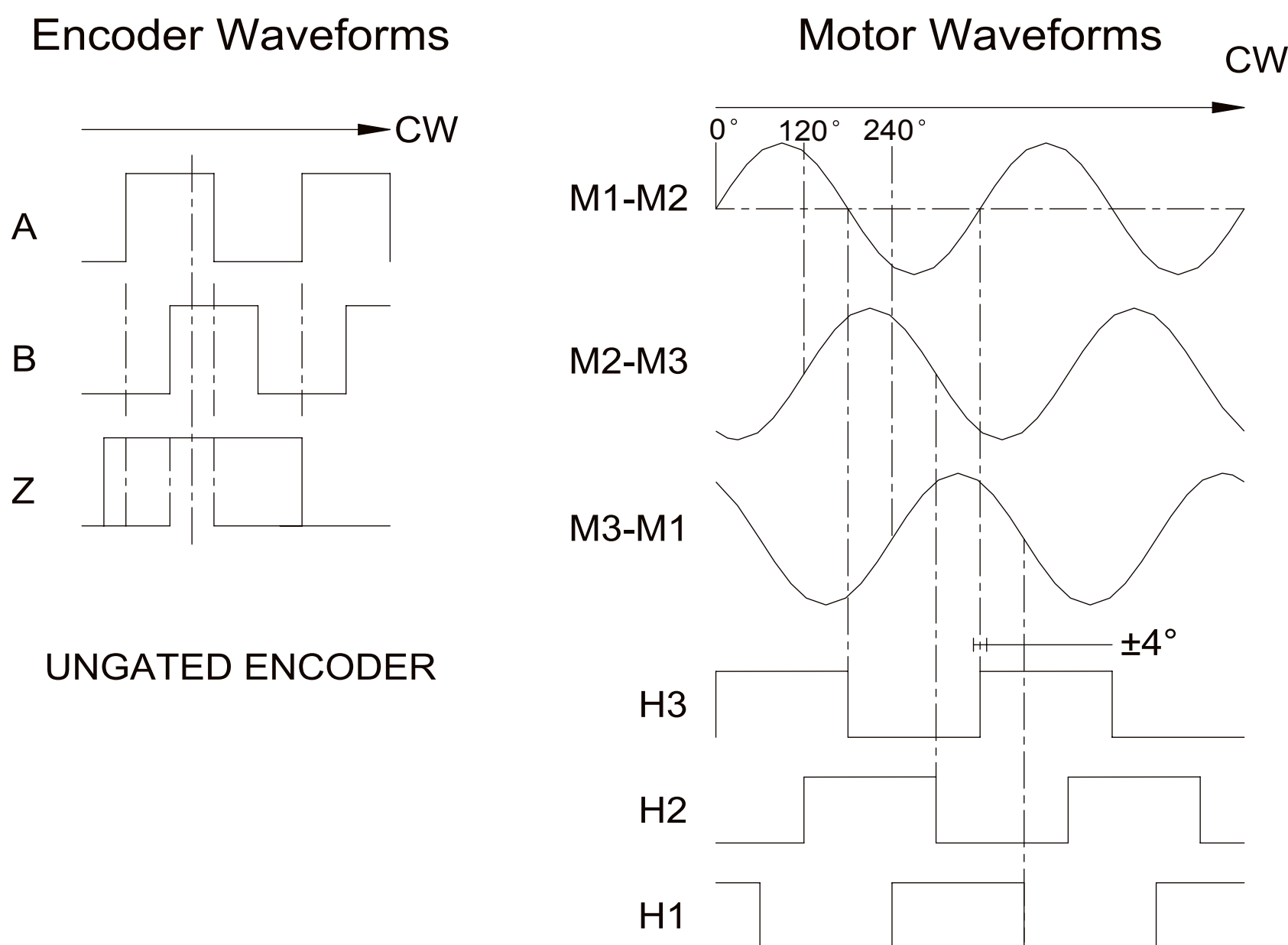
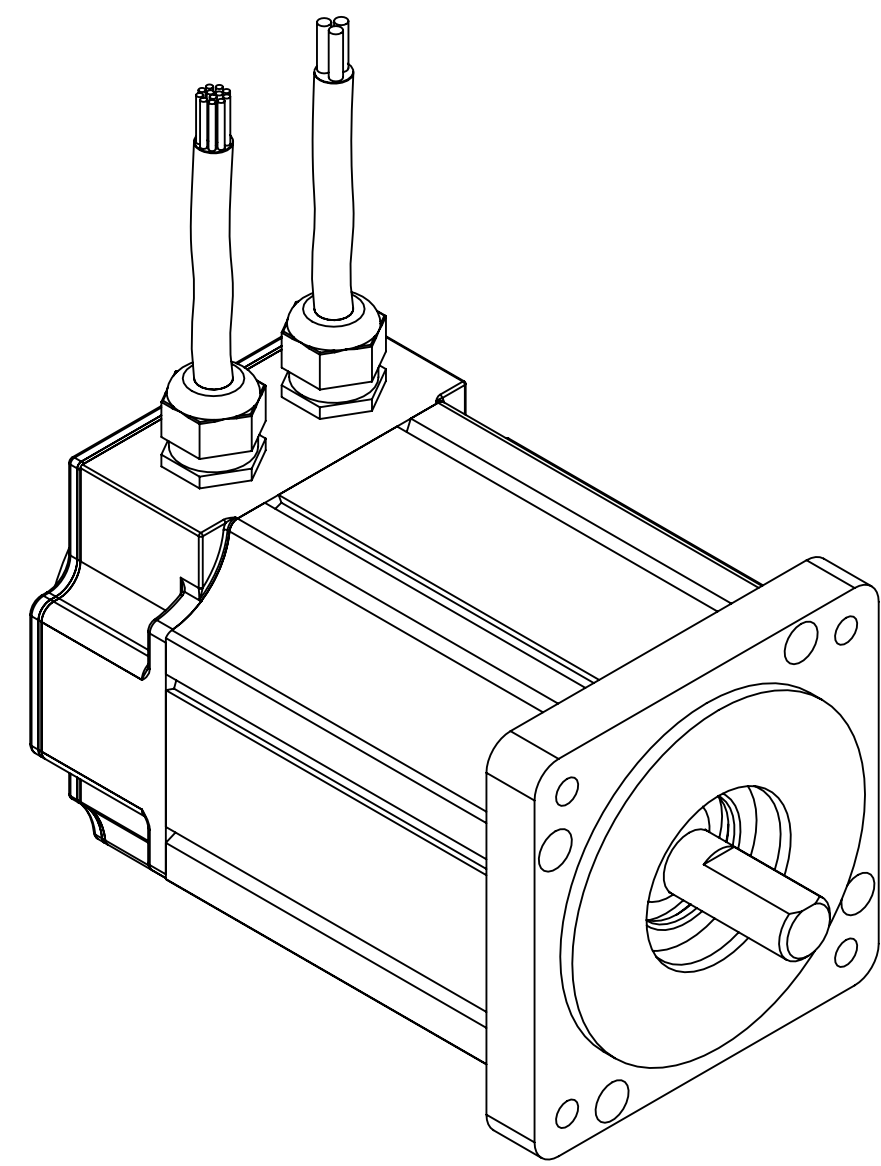


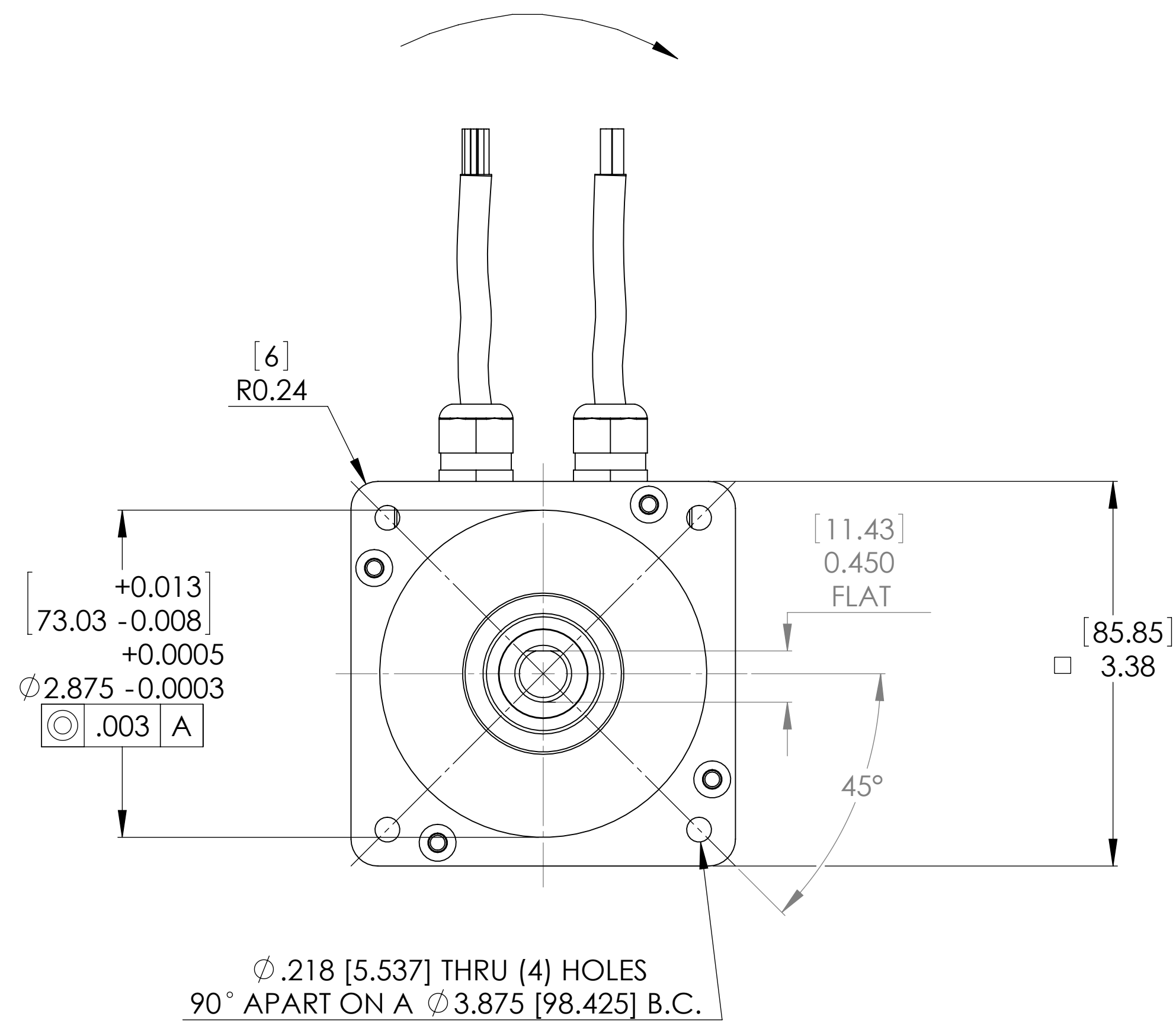
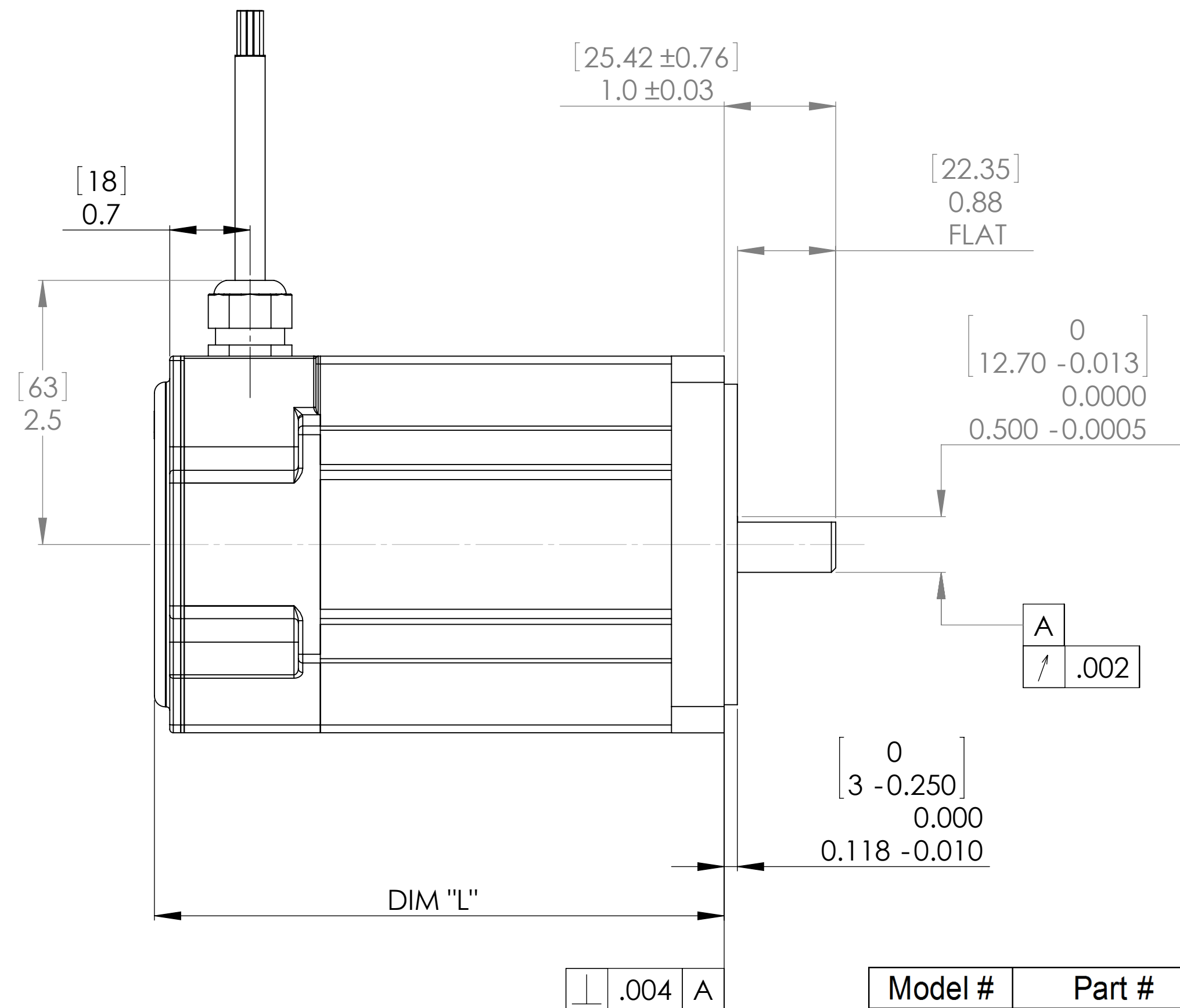
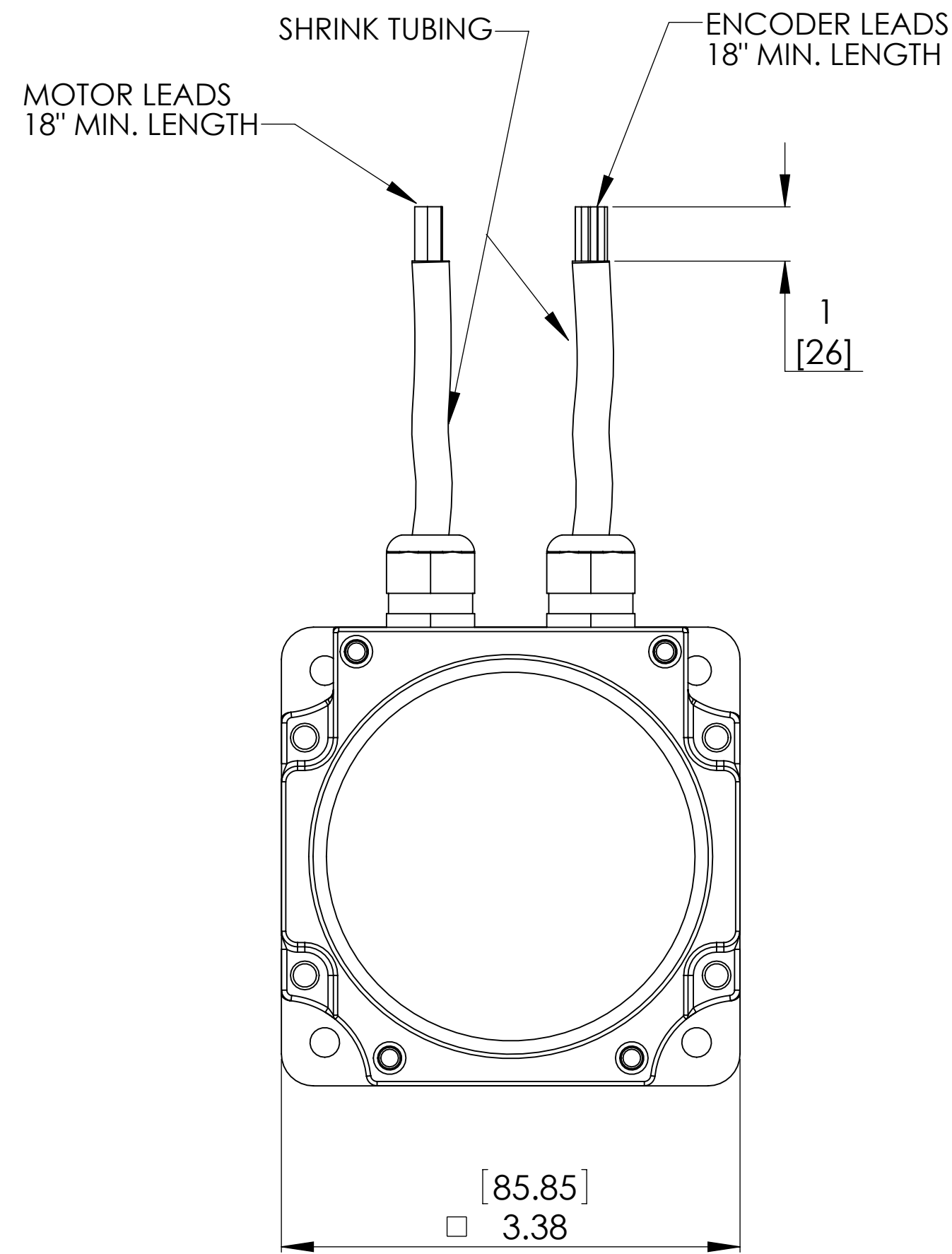
REVISIONS				
REV	ECN	DESCRIPTION	DATE	APP'D
A	DR7927	RELEASED	7/1/05	T.M.
B	ECN2458	ADDED WIRING & DUAL DIM. IN. [METRIC]	7/27/05	T.M.
C	ECN2598	UPDATED GRN GAGE	11/21/05	T.M.
D	ECN2626	CHANGED ENCODER WIRING CODE	1/19/06	T.M.

Clockwise rotation, viewed from the motor shaft, results in these waveforms.



MOTOR CABLE WIRING CODE		
FROM	WIRE COLOR	WIRE SIZE
MOTOR M1	WHITE	# 12 AWG
MOTOR M2	BLACK	# 12 AWG
MOTOR M3	RED	# 12 AWG
CASE	GREEN	# 12 AWG

ENCODER CABLE WIRING CODE		
FROM	WIRE COLOR	WIRE SIZE
OUTPUT A	BROWN	# 28 AWG.
OUTPUT A'	WHITE	# 28 AWG.
OUTPUT B	BLUE	# 28 AWG.
OUTPUT B'	GREEN	# 28 AWG.
OUTPUT Z	ORANGE	# 28 AWG.
OUTPUT Z'	YELLOW	# 28 AWG.
OUTPUT U (H3)	VIOLET	# 28 AWG.
OUTPUT V (H2)	BROWN/WHITE	# 28 AWG.
OUTPUT W (H1)	ORANGE/WHITE	# 28 AWG.
CASE GROUND	BLACK WHITE	# 28 AWG.
CABLE SHIELD	DRAIN	# 28 AWG.
+ 5 VDC	RED	# 28 AWG.
COMMON	BLACK	# 28 AWG.



NOTES:

1. ROTATION: CLOCKWISE MOTOR ROTATION VIEWING DRIVE END OCCURS WHEN PHASE A LEADS PHASE B, PHASE B LEADS PHASE C.

Model #	Part #	DIM "L" (in)	DIM "L" (mm)
T0851	31011-013	5.1	130
T0852	31011-014	6.3	159
T0853	31011-015	7.4	188
T0854	31011-016	8.5	217

DIMENSIONS IN BRACKETS [DUAL] ARE IN MILLIMETERS

<p>NOTICE Information contained herein is the sole property of MTI Torque Systems, Inc. This may not be reproduced, copied, or posted in any manner in part or whole without the written permission by MTI Torque Systems, Inc.</p>		<p>APPLICATION NEXT ASSY USED ON 85mm</p>	<p>MonteVideo Technology, Inc. (MTI) A Motor And Control Company TORQUE SYSTEMS</p>
<p>FINISH: NONE TOLERANCES: .XX ±0.010 ±0.025 .XXX ±0.005 ±0.010 DIMENSIONS: 12mm ±0.10mm ANGLES: ±0° 30'</p>	<p>THIRD ANGLE PROJECTION</p>	<p>CHECKED: [Signature] APPROVED: [Signature]</p>	<p>DATE: 7/26/05 DRAWN: J. MEZHER CAGE CODE: 54572 DWG. NO.: 31011-013-016 REV. D SCALE: 1:1 SHEET 1 OF 1</p>

CAD FILE: 31011-013-016.SDDRW