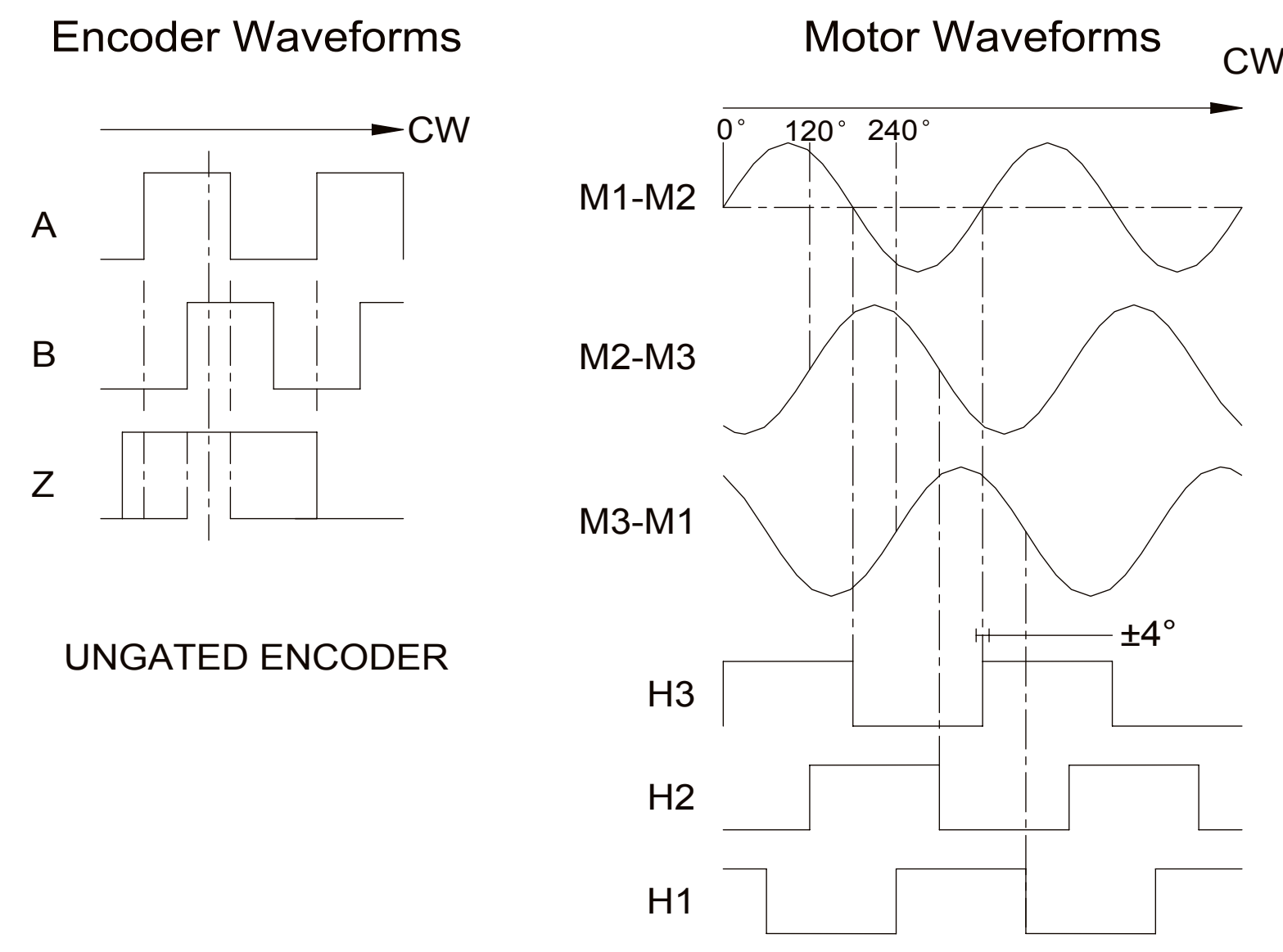
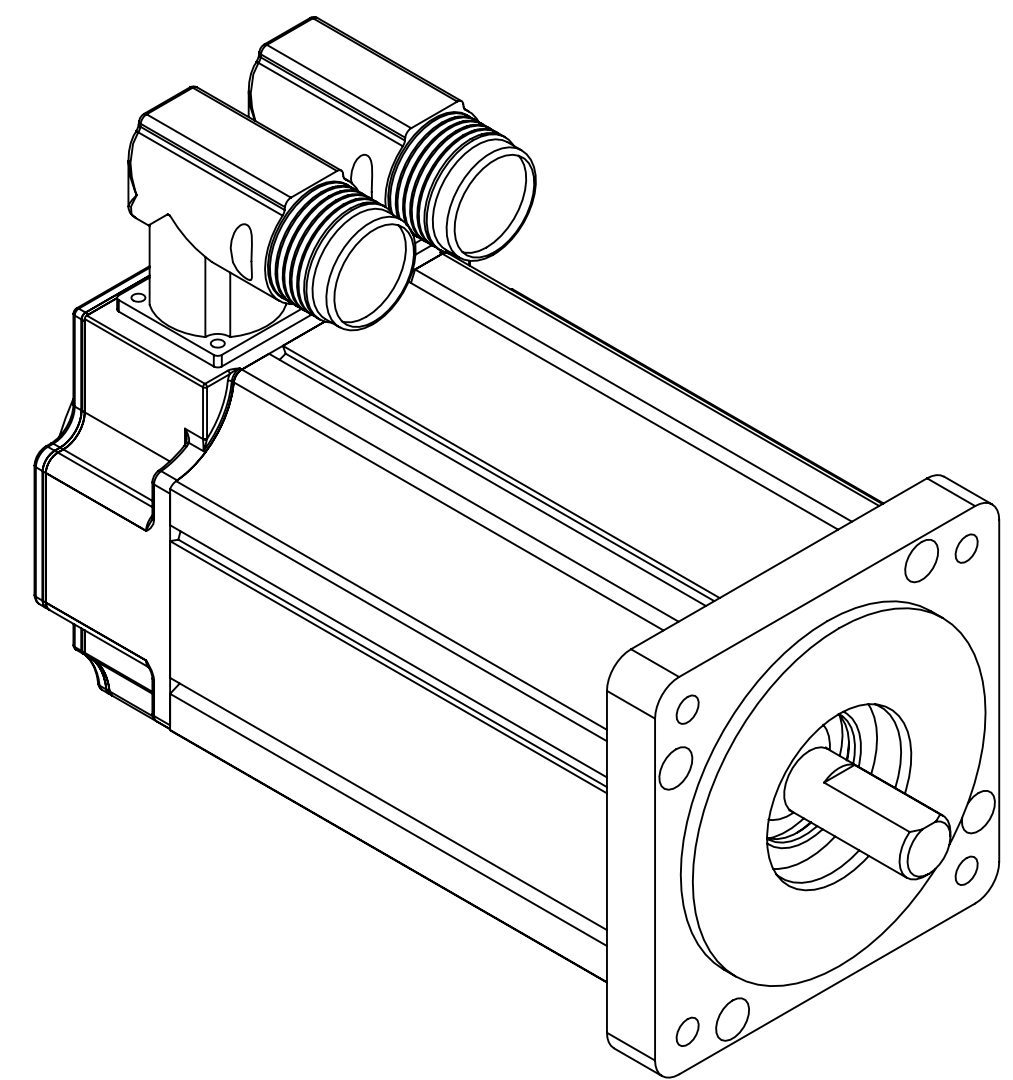


| REVISIONS | | | | |
|-----------|---------|-----------------------------------|----------|-------|
| REV | ECN | DESCRIPTION | DATE | APP'D |
| A | DR8036 | RELEASED | 12/27/05 | T.M. |
| B | ECNXXX | UPDATE DRG | 1/19/06 | T.M. |
| C | ECN2598 | DELETED WIRE CODE FROM CONNECTORS | 1/5/06 | T.M. |
| D | ECN2626 | CHANGED ENCODER WIRING CODE | 1/25/06 | T.M. |

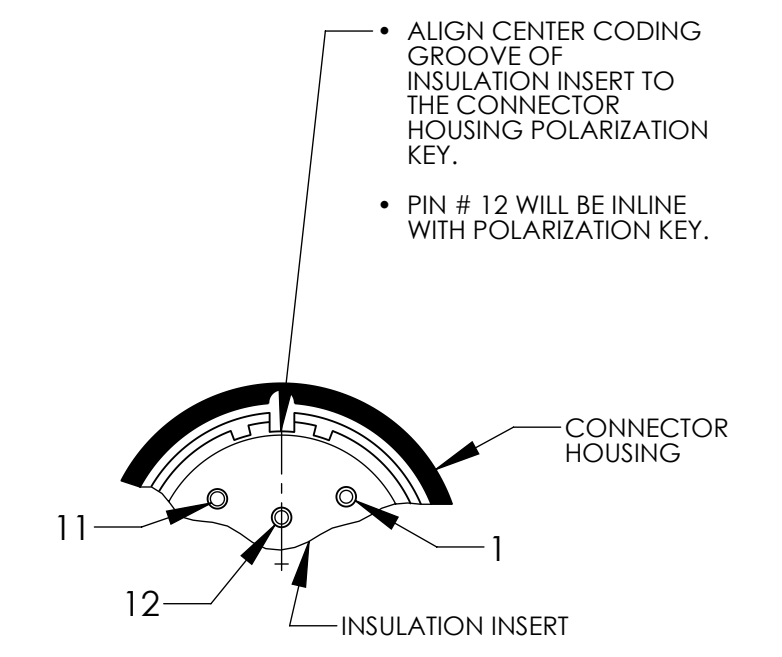
Clockwise rotation, viewed from the motor shaft, results in these waveforms.



| FROM | TO PIN |
|---------------|--------|
| OUTPUT B | 1 |
| OUTPUT B' | 2 |
| OUTPUT A | 3 |
| OUTPUT A' | 4 |
| OUTPUT Z | 5 |
| OUTPUT Z' | 6 |
| COMMON | 7 |
| + 5 VDC | 10 |
| CASE GROUND | 11 |
| OUTPUT U (H3) | 15 |
| OUTPUT V (H2) | 16 |
| OUTPUT W (H1) | 17 |

ENCODER CABLE SHIELD IS NOT CONNECTED AT MOTOR END

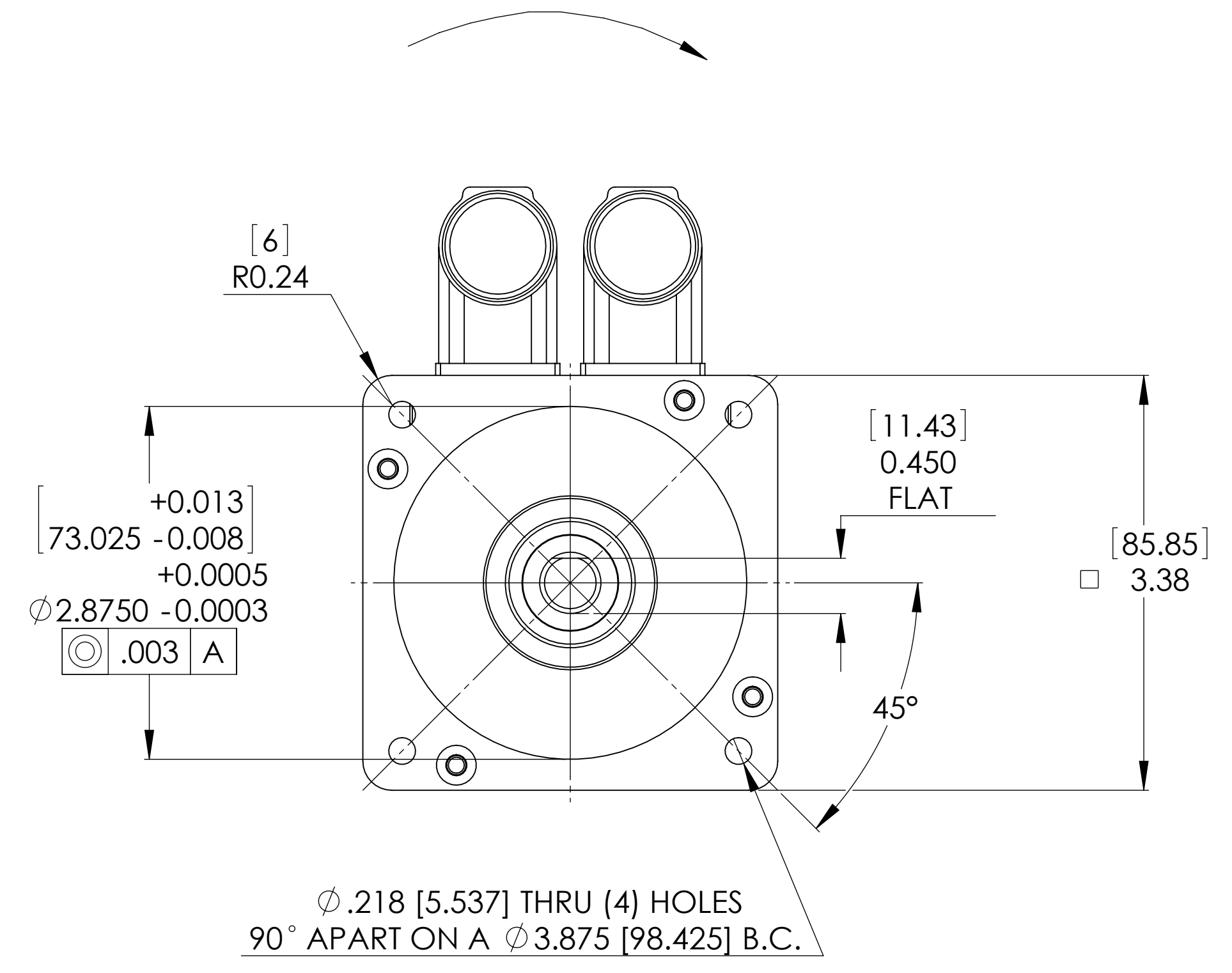
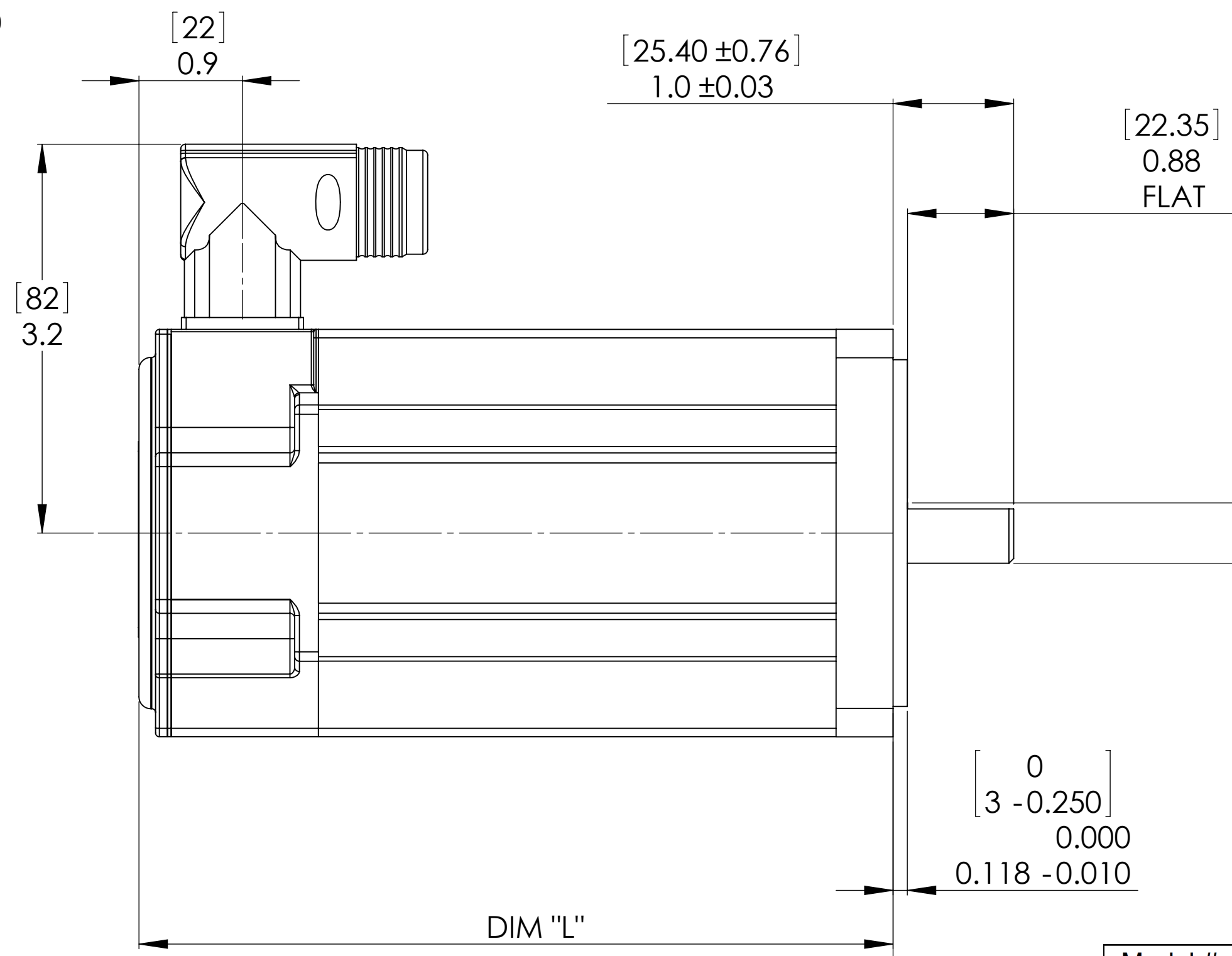
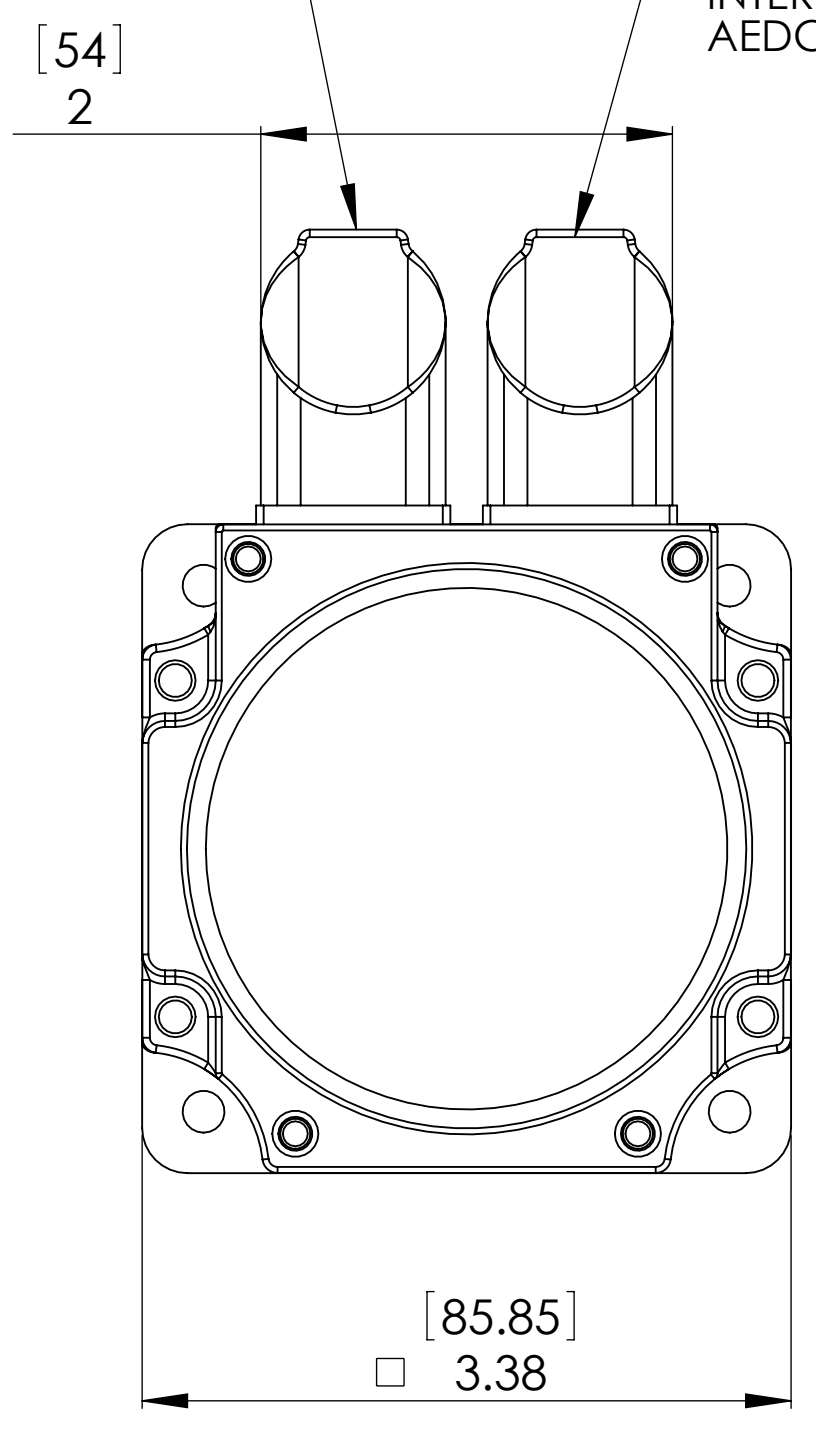
| FROM | TO PIN |
|----------|--------|
| MOTOR M1 | 1 |
| MOTOR M3 | 3 |
| MOTOR M2 | 4 |
| CASE | |



ENCODER CONNECTOR

MOTOR CONNECTOR
INTER CONTEC P/N:
BEDC-089-NN-00-00-0005-000

ENCODER CONNECTOR
INTER CONTEC P/N:
AEDC-113-NN-00-00-0012-000



NOTES:
1. ROTATION: CLOCKWISE MOTOR ROTATION VIEWING DRIVE END OCCURS WHEN PHASE A LEADS PHASE B, PHASE B LEADS PHASE C.

| Model # | Part # | DIM "L" (in) | DIM "L"(mm) |
|---------|-----------|--------------|-------------|
| T0851 | 31011-009 | 5.1 | 130 |
| T0852 | 31011-010 | 6.3 | 159 |
| T0853 | 31011-011 | 7.4 | 188 |
| T0854 | 31011-012 | 8.5 | 217 |

DIMENSIONS IN BRACKETS [DUAL] ARE IN MILLIMETERS

| | | | |
|--|--|---|--------------------------------------|
| NOTICE Information contained herein is the sole property of MTI Torque Systems, Inc. This may not be reproduced, copied, or traced in any manner in part or whole without the written permission by MTI Torque Systems, Inc. | MILLIMETERS (mm) TOLERANCES UNLESS OTHERWISE SPECIFIED X ±0.25 XX ±0.25 XXX ±0.100 | APPLICATION | |
| | | NEXT ASSY | USED ON |
| THIRD ANGLE PROJECTION <small>Third angle projection (first angle drawing) is used unless otherwise specified. Interpret per ASME Y14.5-1994.</small> | ANGLES ±0°-30° MATERIAL | DRAWN: T. MEZHER CHECKED: | DATE: 7/26/05 |
| FINISH | APPROVED: | CAGE CODE: 54572 DWG. NO.: 31011-009-012 | REV. D SCALE: 1:1 SHEET 1 OF 1 |

Montevideo Technology, Inc. (MTI)
A Motor And Control Company
TORQUE SYSTEMS
TITLE: OUTLINE 85 mm .5" NEMA34 W/ENC, CONNECTORS & FLA