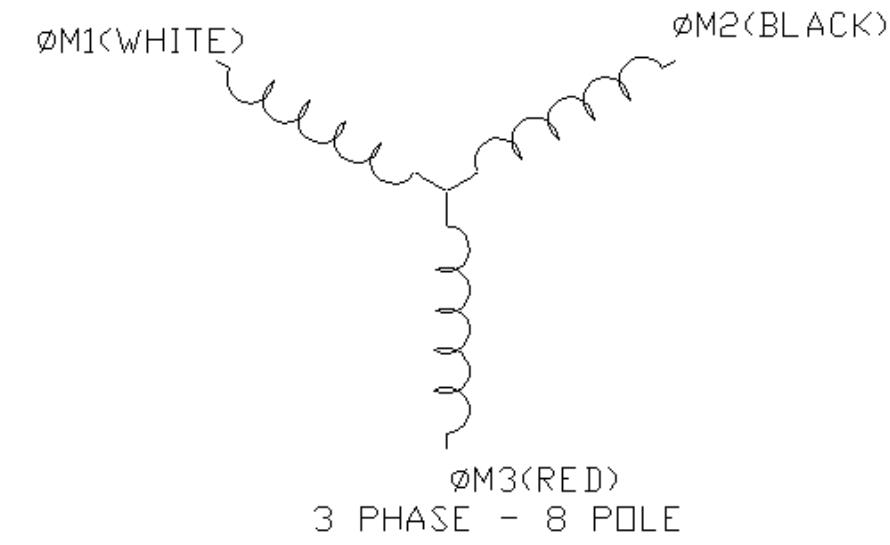
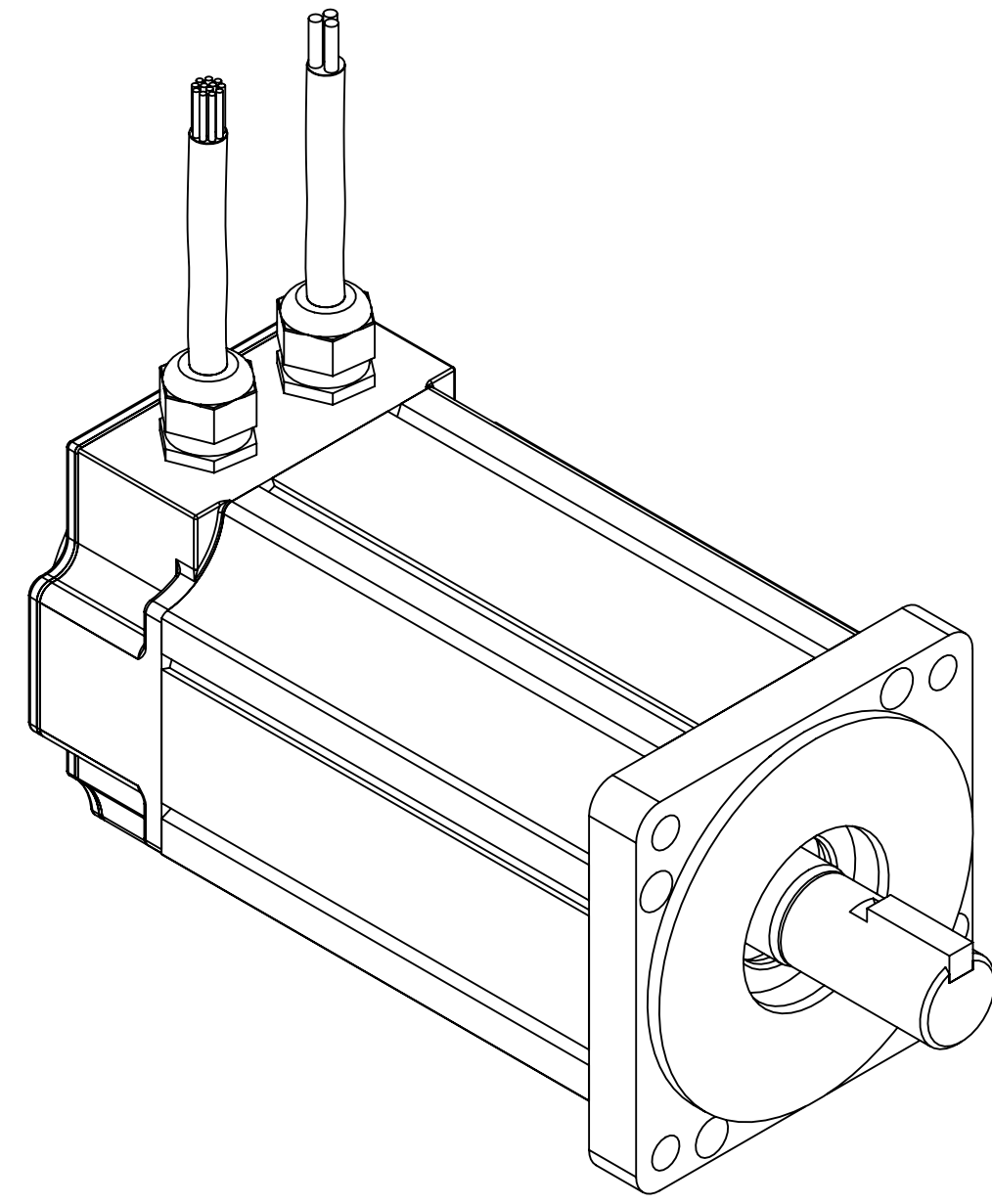
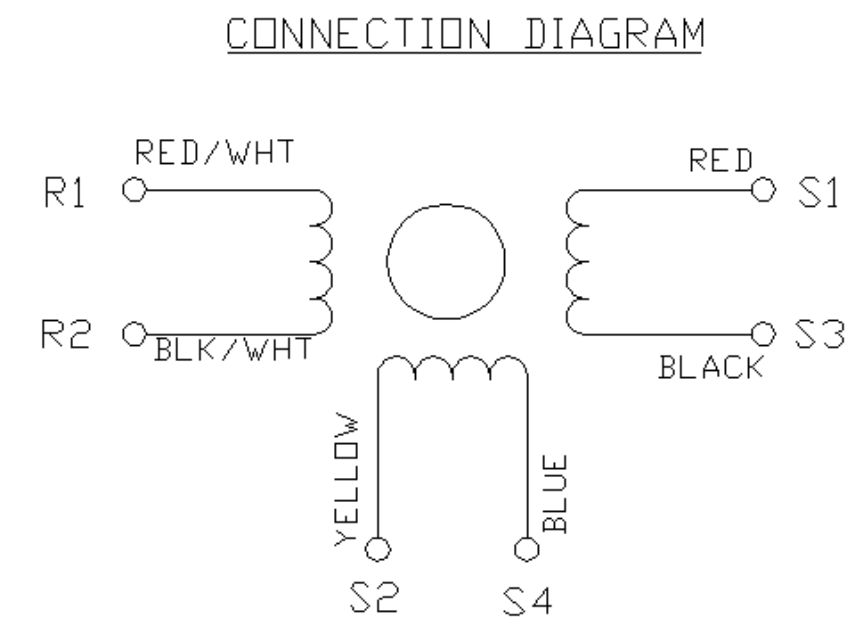
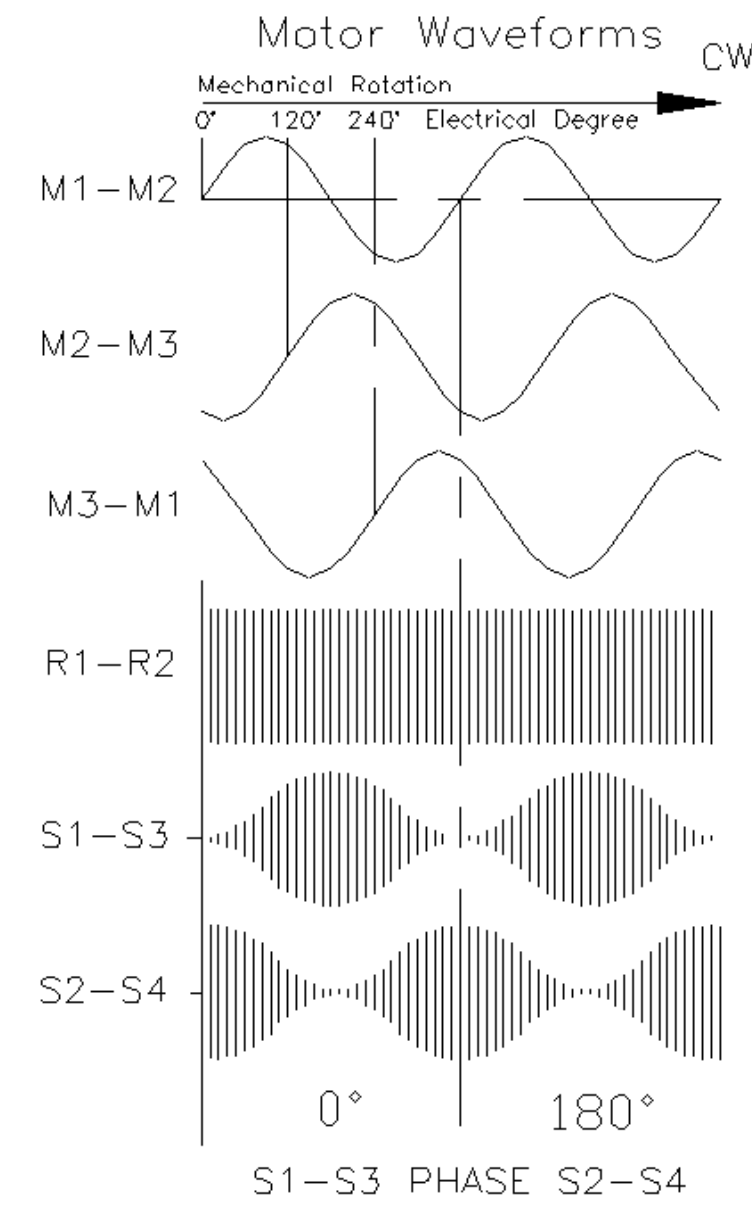


REVISIONS				
REV	ECN	DESCRIPTION	DATE	APP'D
A	DR8902	RELEASED	10/01/08	RAL

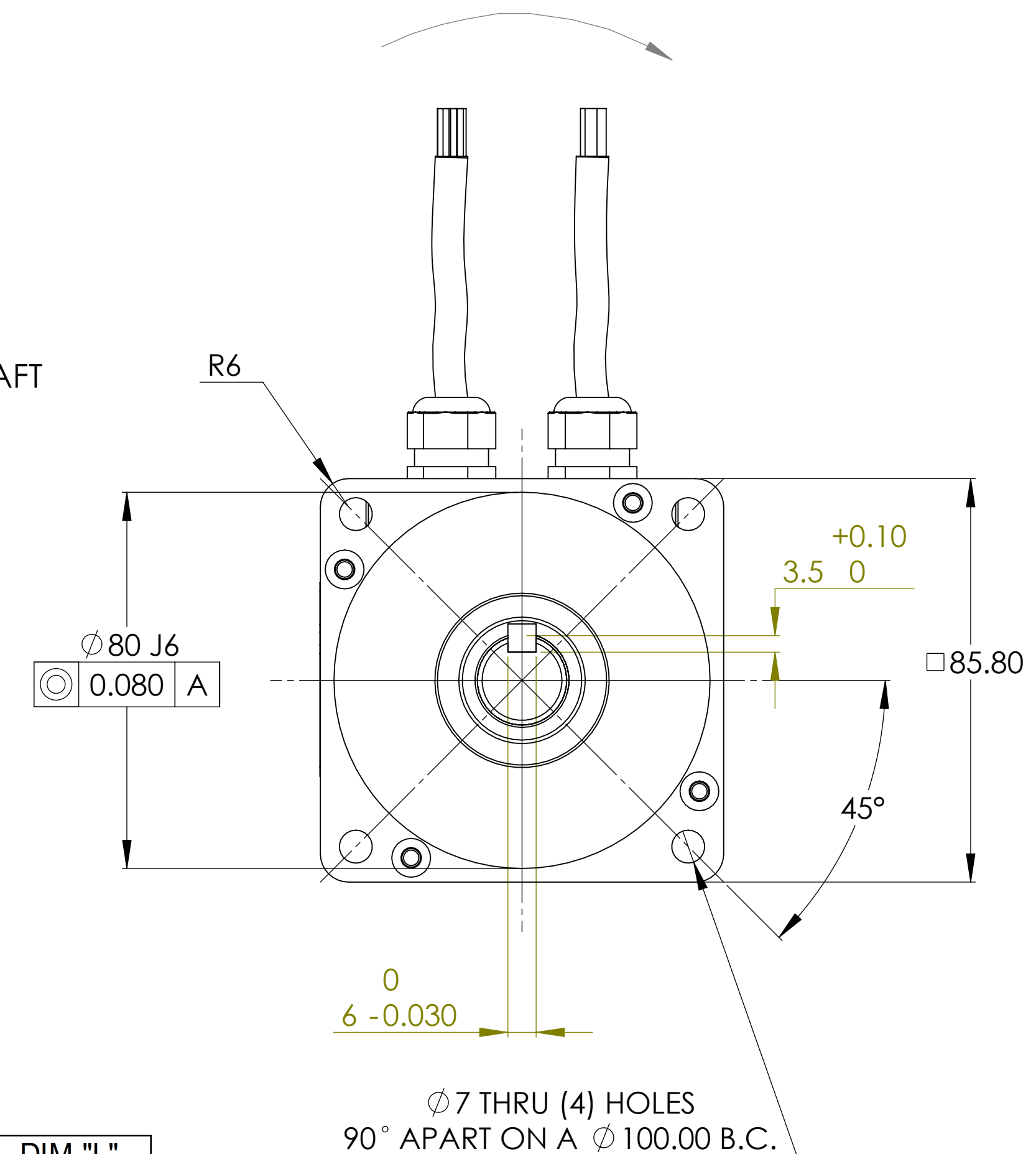
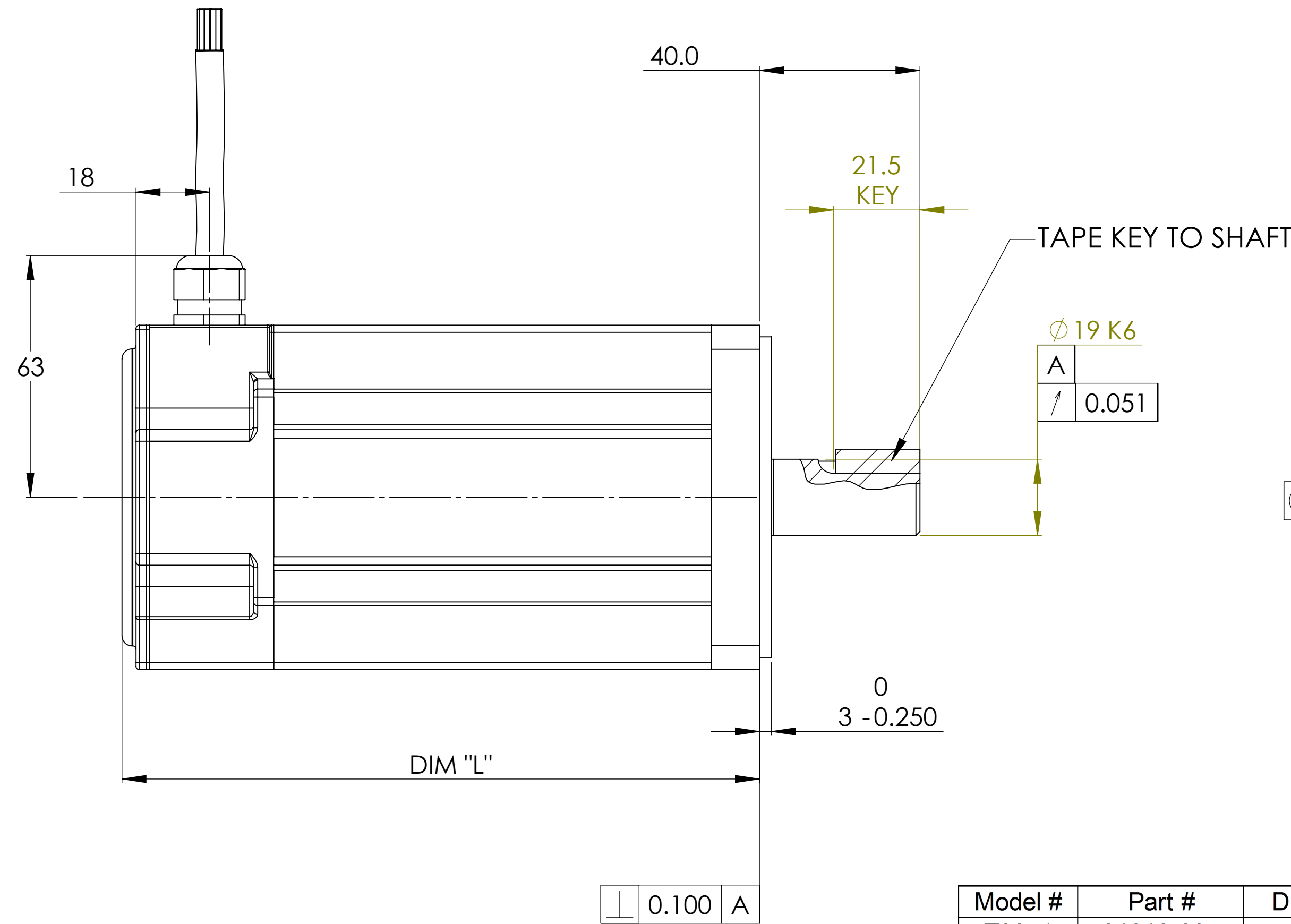
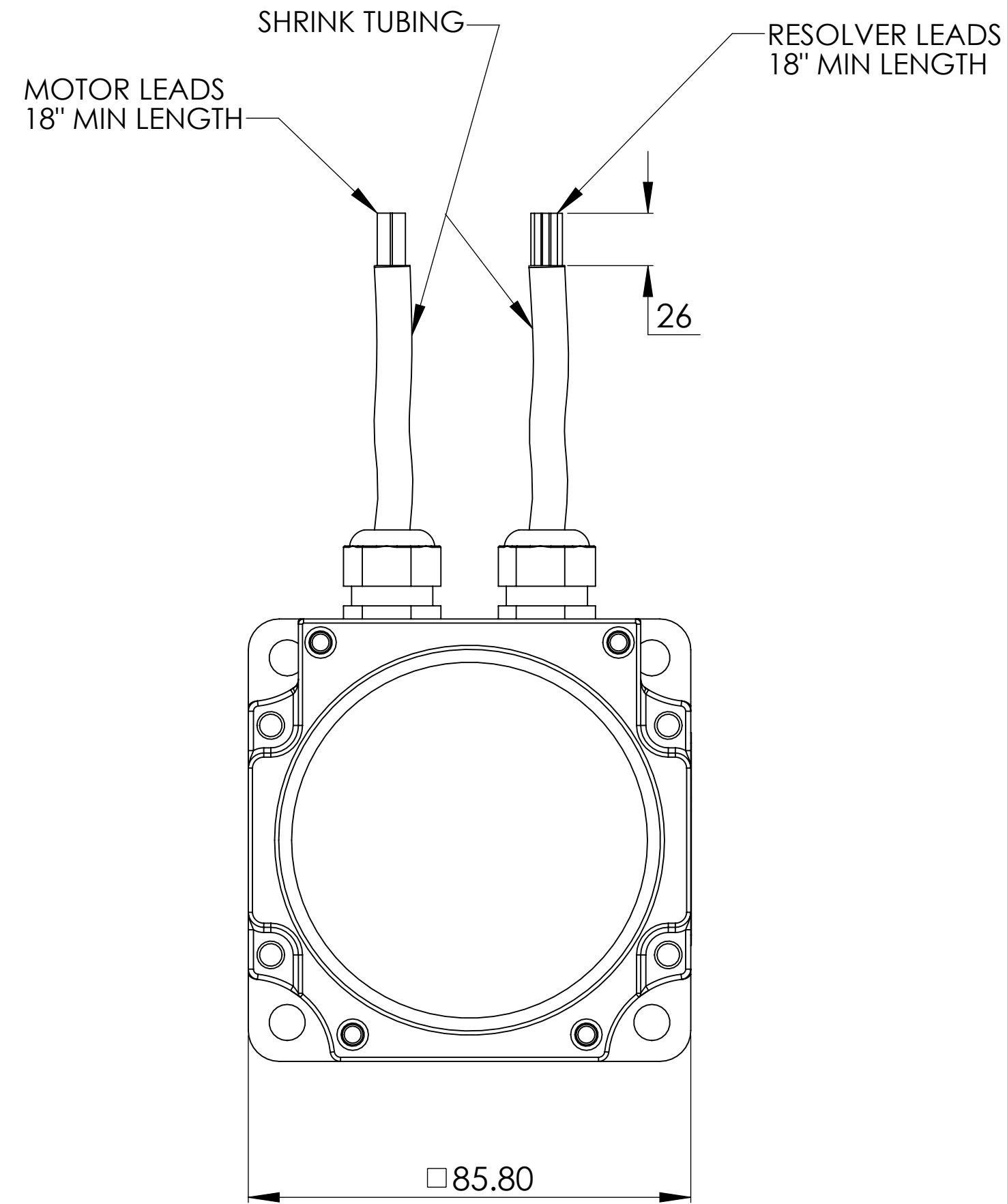


Clockwise rotation, viewed from the motor shaft, results in these waveforms.



RESOLVER CABLE WIRING CODE		
FROM	WIRE COLOR	WIRE SIZE
S4	BLUE	# 28 AWG
S3	BLACK	# 28 AWG
R2	BLK/WHT	# 28 AWG
S2	YELLOW	# 28 AWG
S1	RED	# 28 AWG
R1	RED/WHT	# 28 AWG

MOTOR CABLE WIRING CODE		
FROM	WIRE COLOR	WIRE SIZE
MOTOR M1	WHITE	# 12 AWG
MOTOR M2	BLACK	# 12 AWG
MOTOR M3	RED	# 12 AWG
CASE	GREEN	# 12 AWG



NOTES:

1. ROTATION: CLOCKWISE MOTOR ROTATION VIEWING DRIVE END OCCURS WHEN PHASE A LEADS PHASE B, PHASE B LEADS PHASE C.

Model #	Part #	DIM "L"
T0851	31018-005	128
T0852	31018-006	157
T0853	31018-007	186
T0854	31018-008	215

NOTICE <small>Information contained herein is the sole property of MTI Torque Systems, Inc. This may not be reproduced, copied, or traced in any manner in part or whole without the written permission of MTI Torque Systems, Inc.</small>	MILLIMETERS (mm) TOLERANCES UNLESS OTHERWISE SPECIFIED X ±0.25 XX ±0.25 XXX ±0.100 ANGLES ±0°-30' MATERIAL NONE FINISH NONE	APPLICATION		 TORQUE SYSTEMS
		NEXT ASSY	USED ON	
THIRD ANGLE PROJECTION 	APPROVED CHECKED DATE 6/28/05	DRAWN TAMEZHER	SCALE 1:1	CAGE CODE 54572
SHEET 1 OF 1		REV. A		DATE 10/01/08

CAD FILE: 31018-005-008.SLDPRW