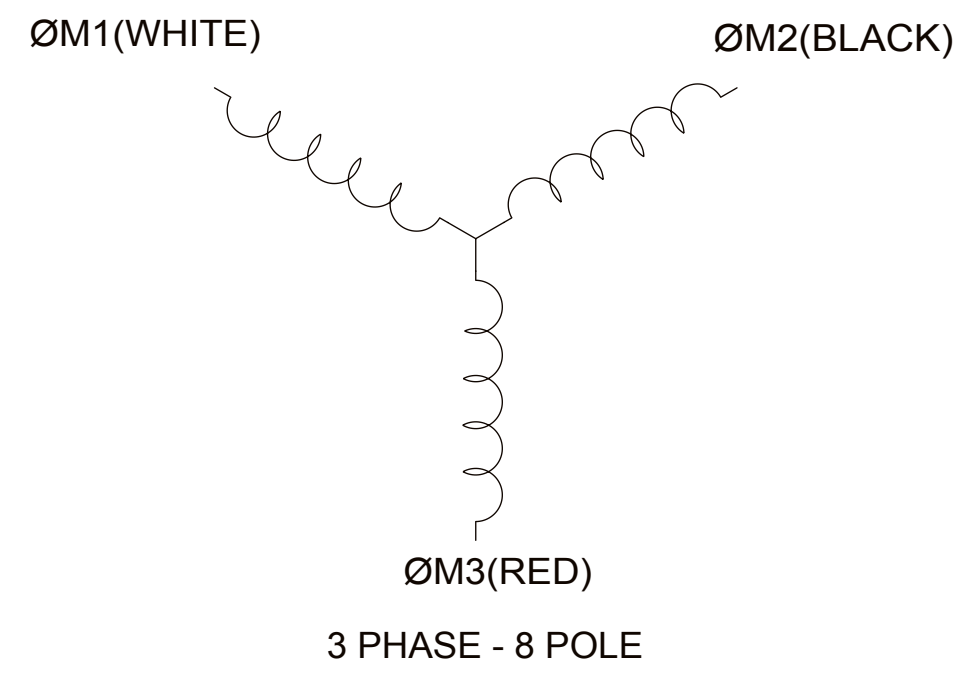
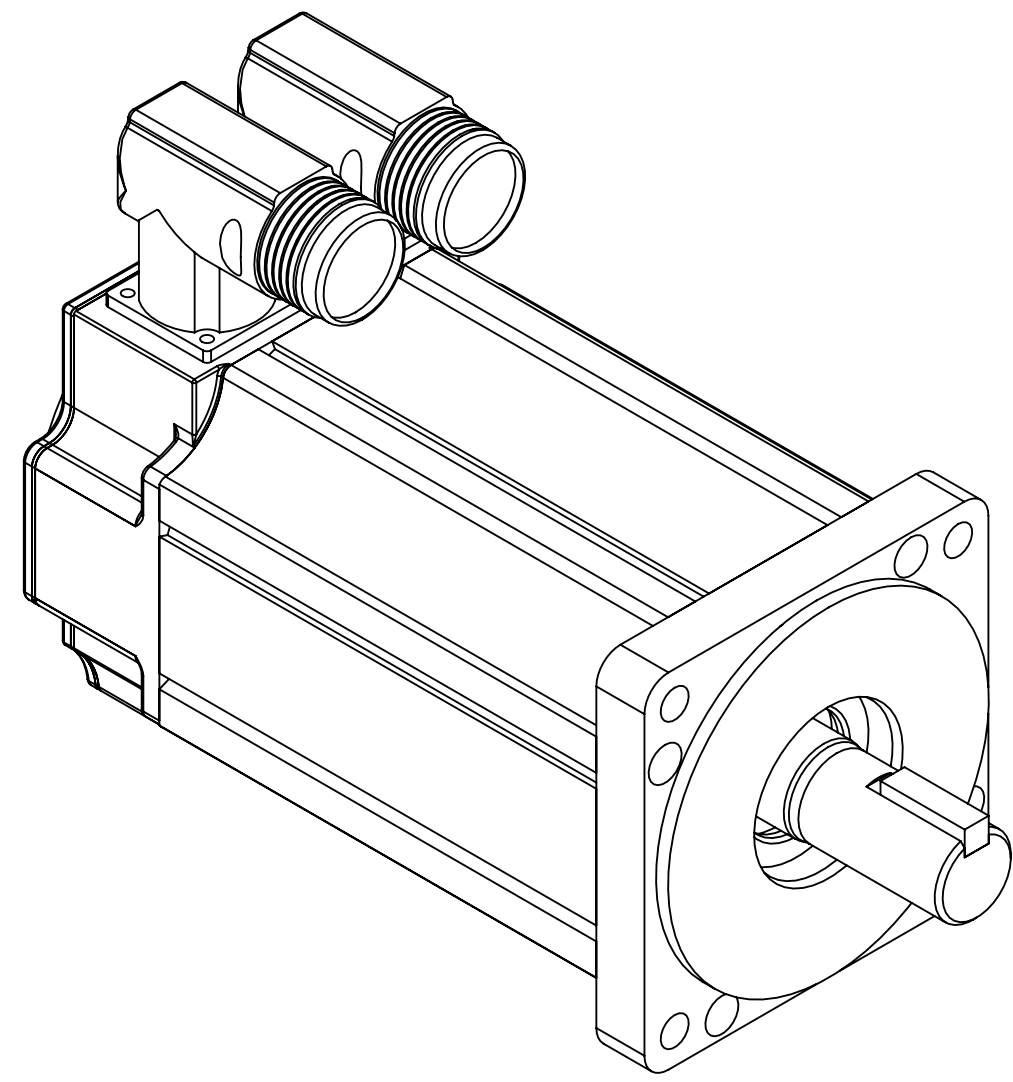
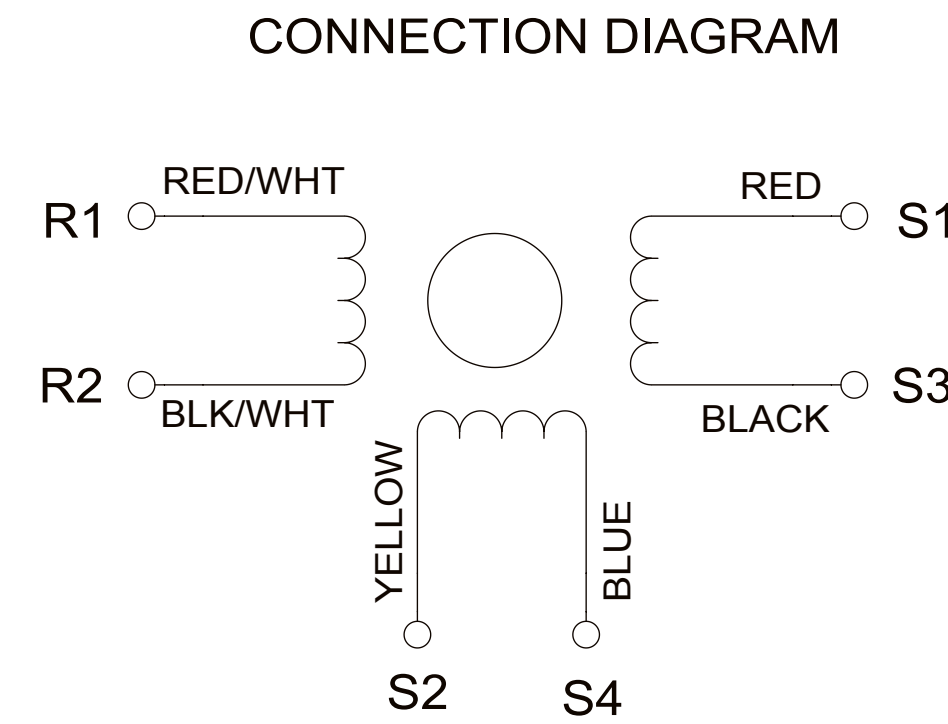
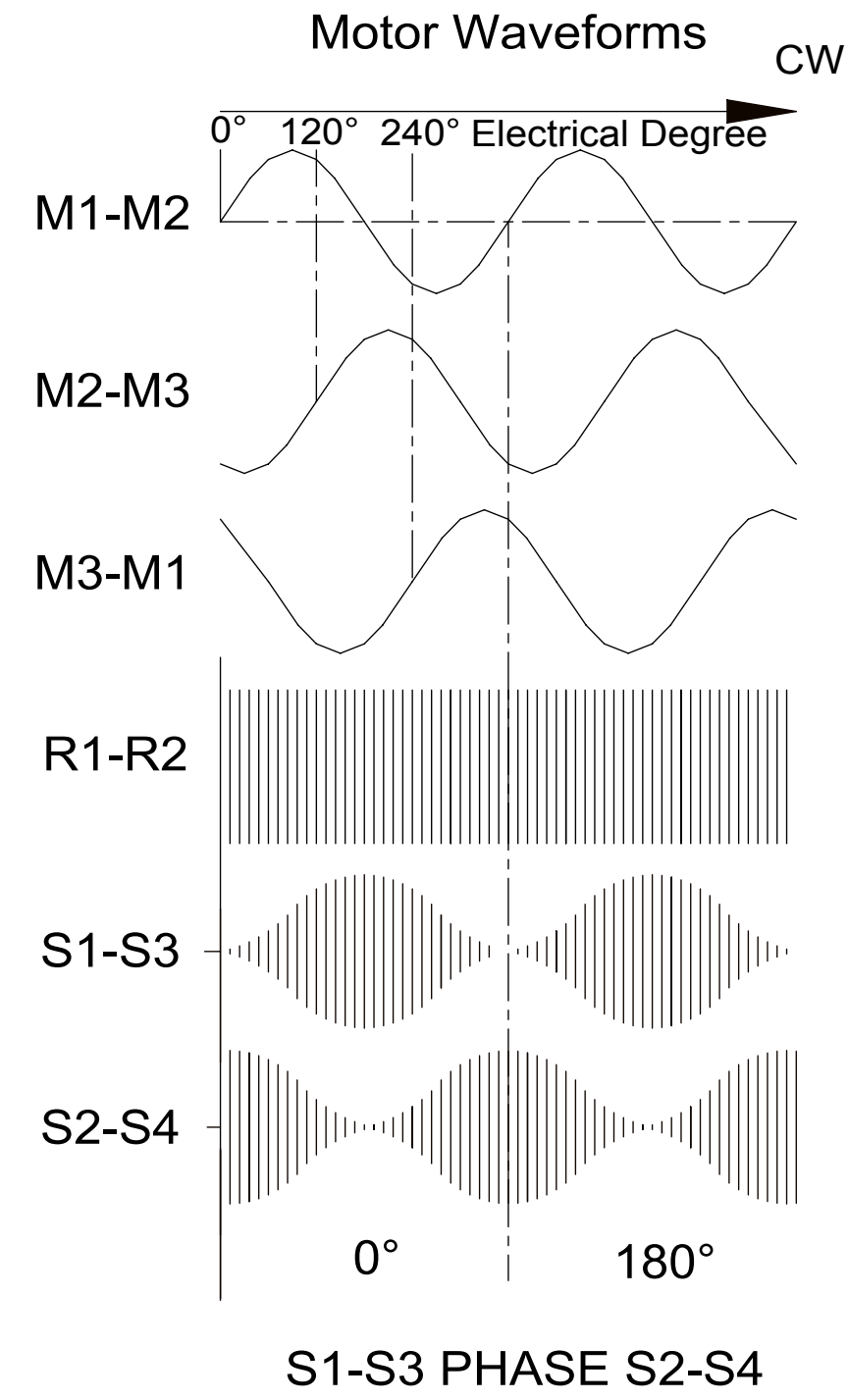


REVISIONS				
REV	ECN	DESCRIPTION	DATE	APP'D
A	DR8266	RELEASED	9/8/06	T.M.



Clockwise rotation, viewed from the motor shaft, results in these waveforms.

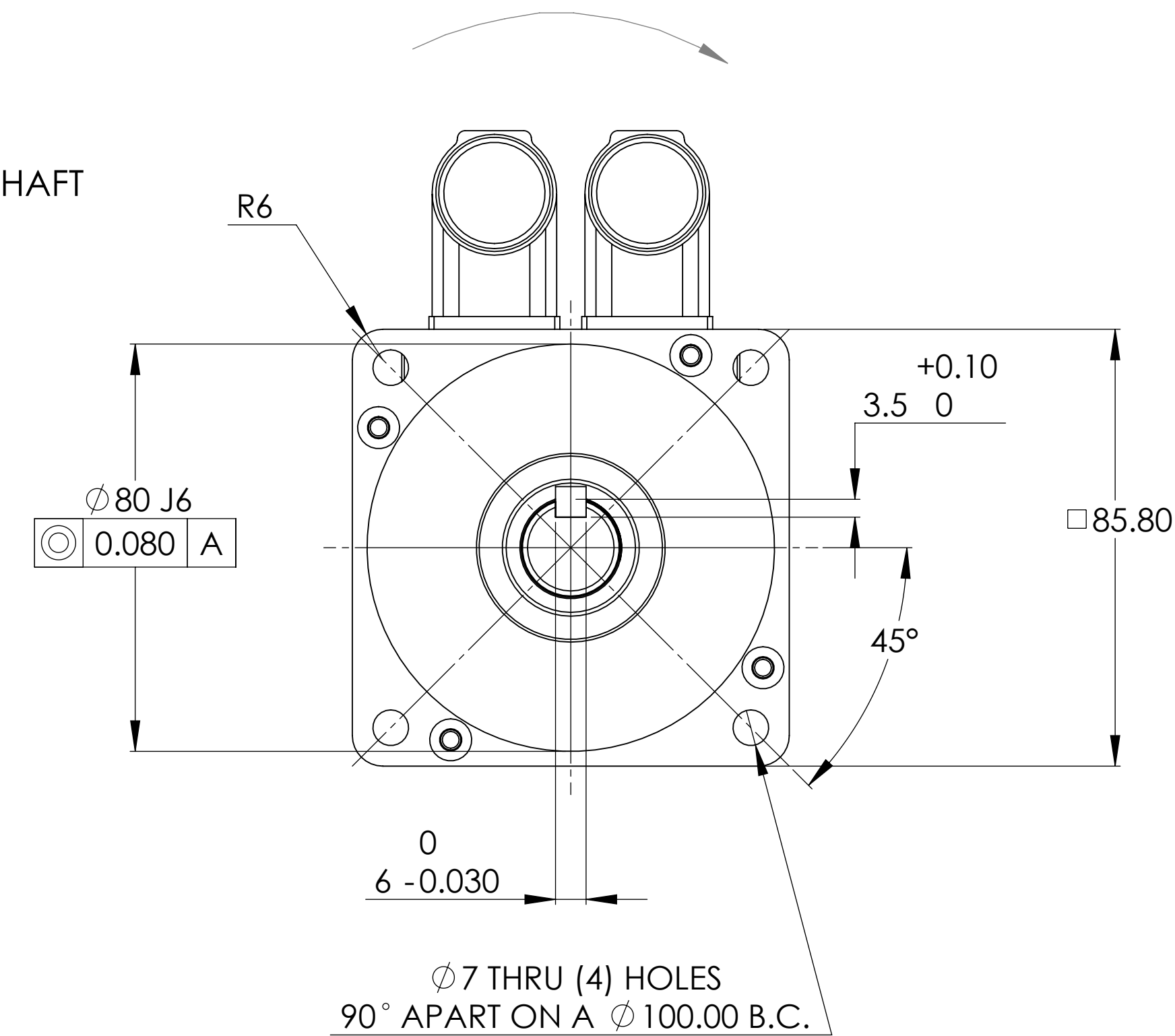
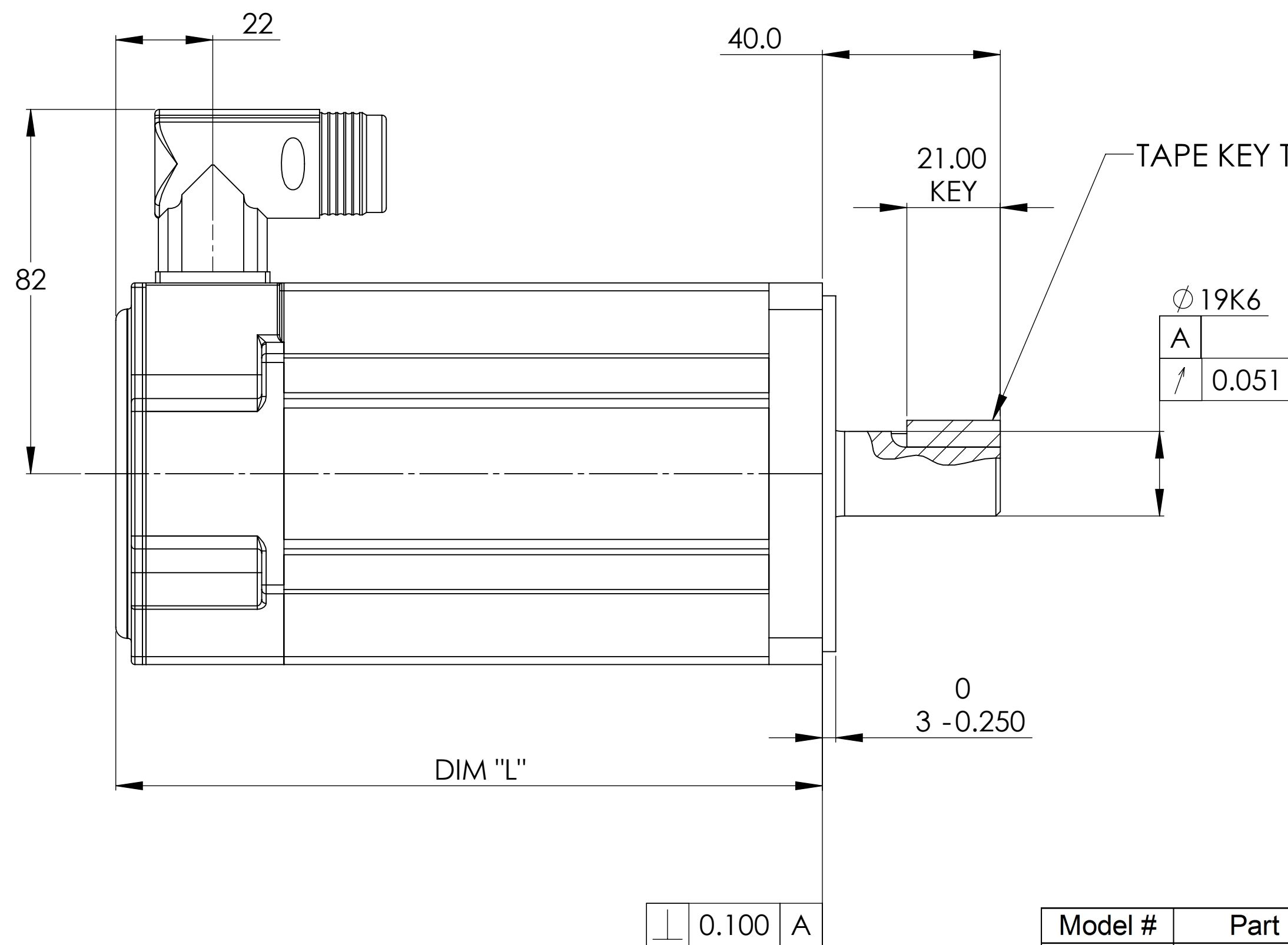
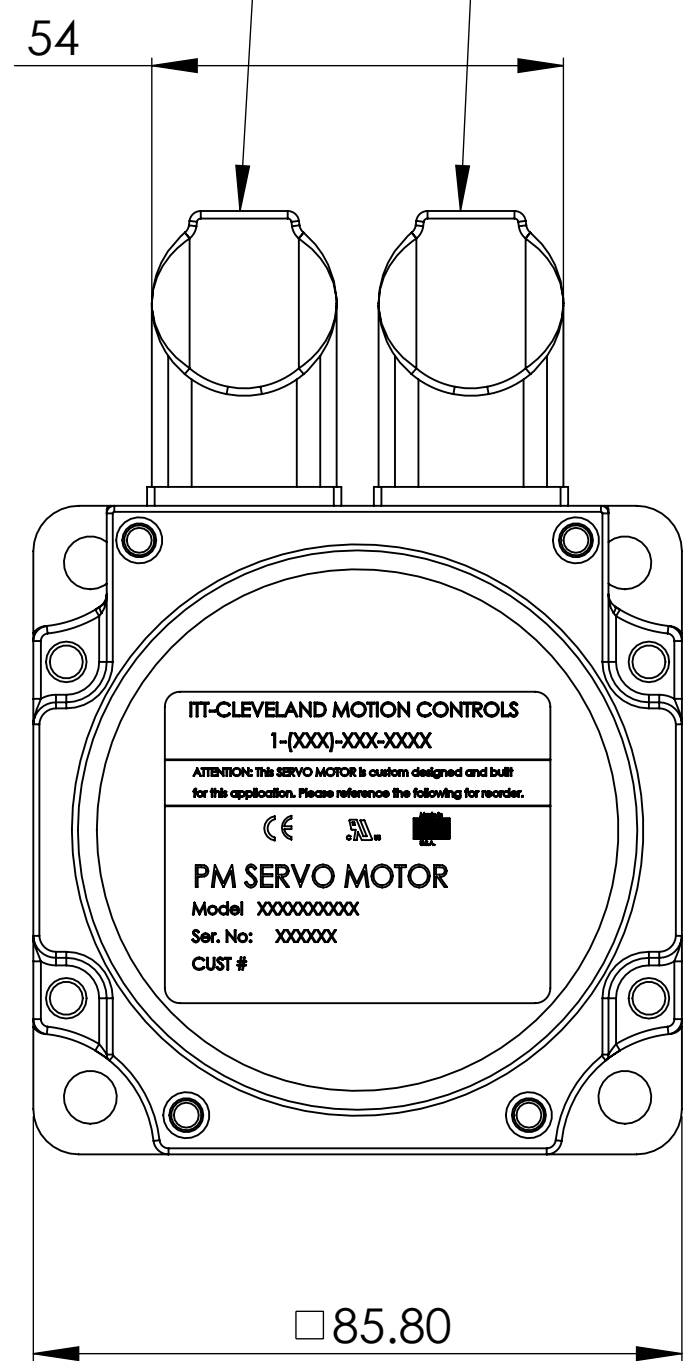


RESOLVER CONN WIRING CODE	
FROM	TO PIN
S4	3
S3	4
R2	5
S2	7
S1	8
R1	9

MOTOR CONN. WIRING CODE	
FROM	TO PIN
MOTOR M1	1
MOTOR M3	3
MOTOR M2	4
CASE	

MOTOR CONNECTOR
INTER CONTEC P/N:
BEDC-089-NN-00-00-0005-000

RESOLVER CONNECTOR
INTER CONTEC P/N:
AEDC-052-NN-00-00-0012-000



NOTES:

1. ROTATION: CLOCKWISE MOTOR ROTATION VIEWING DRIVE END OCCURS WHEN PHASE A LEADS PHASE B, PHASE B LEADS PHASE C.

Model #	Part #	DIM "L"
T0851	31018-001	130
T0852	31018-002	159
T0853	31018-003	188
T0854	31018-004	217

NOTICE <small>Information contained herein is the sole property of MTI Torque Systems, Inc. This may not be reproduced, copied, or traced in any manner in part or whole without the written permission of MTI Torque Systems, Inc.</small>	MILLIMETERS (mm) <small>TOLERANCES UNLESS OTHERWISE SPECIFIED</small> X ±0.25 XX ±0.25 XXX ±0.100	APPLICATION	
		NEXT ASSY	USED ON
THIRD ANGLE PROJECTION <small>Third angle projection (front and back view separated) is used. Interpret per ASME Y14.5M-1994.</small>	ANGLES ±0°-30° MATERIAL NONE FINISH NONE	DRAWN T. MEZHER 11/17/04 CHECKED APPROVED	TITLE Monteideo Technology, Inc. (MTI) <small>A Motor And Control Company</small> TORQUE SYSTEMS OUTLINE METRIC W/RES. & CONN
SHEET 1 OF 1 SCALE 1:1	CAGE CODE: 54572 DWG. NO.: 31018-001-004	REV. A	FILE: 31018-001-004.SLDDRW