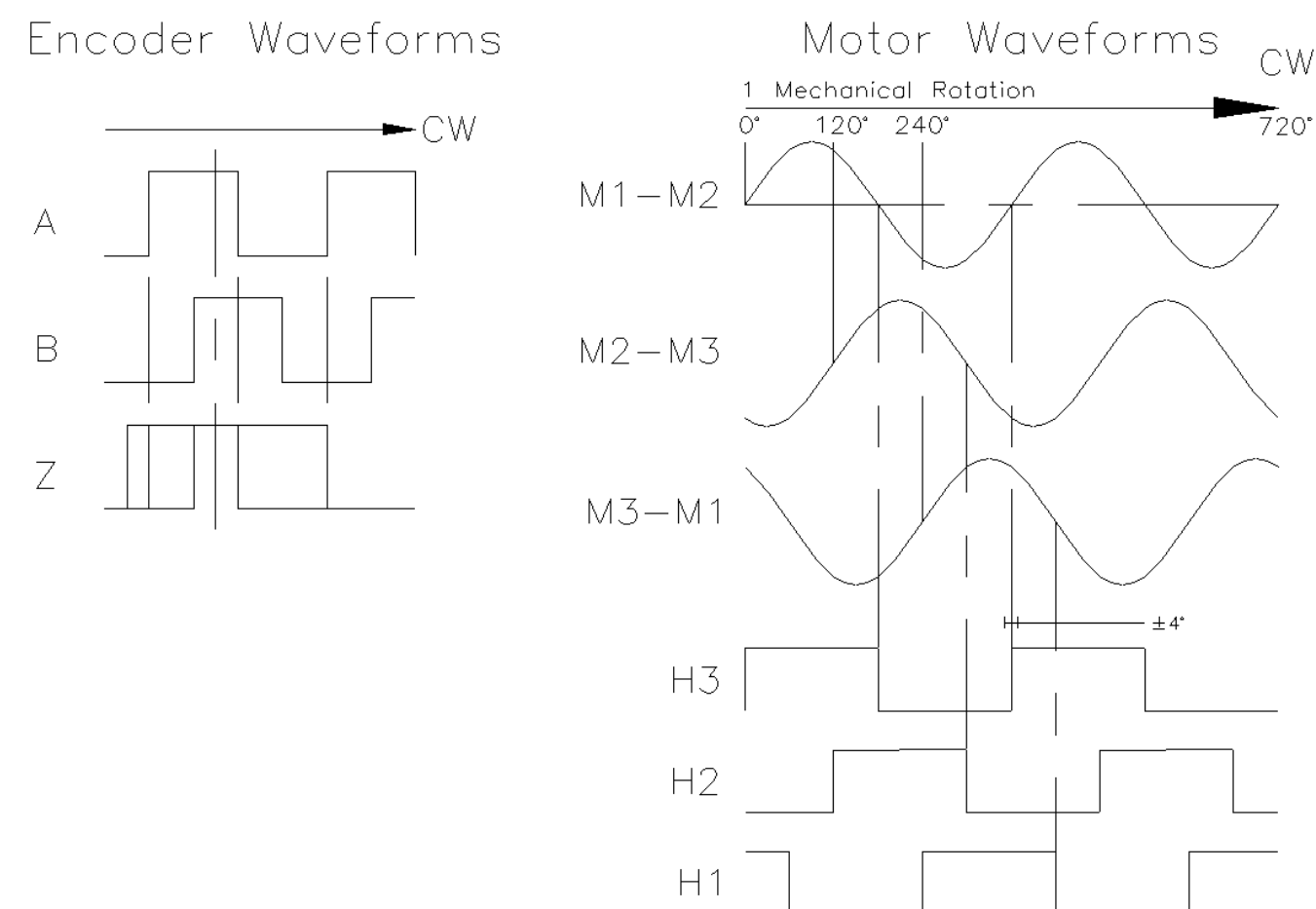


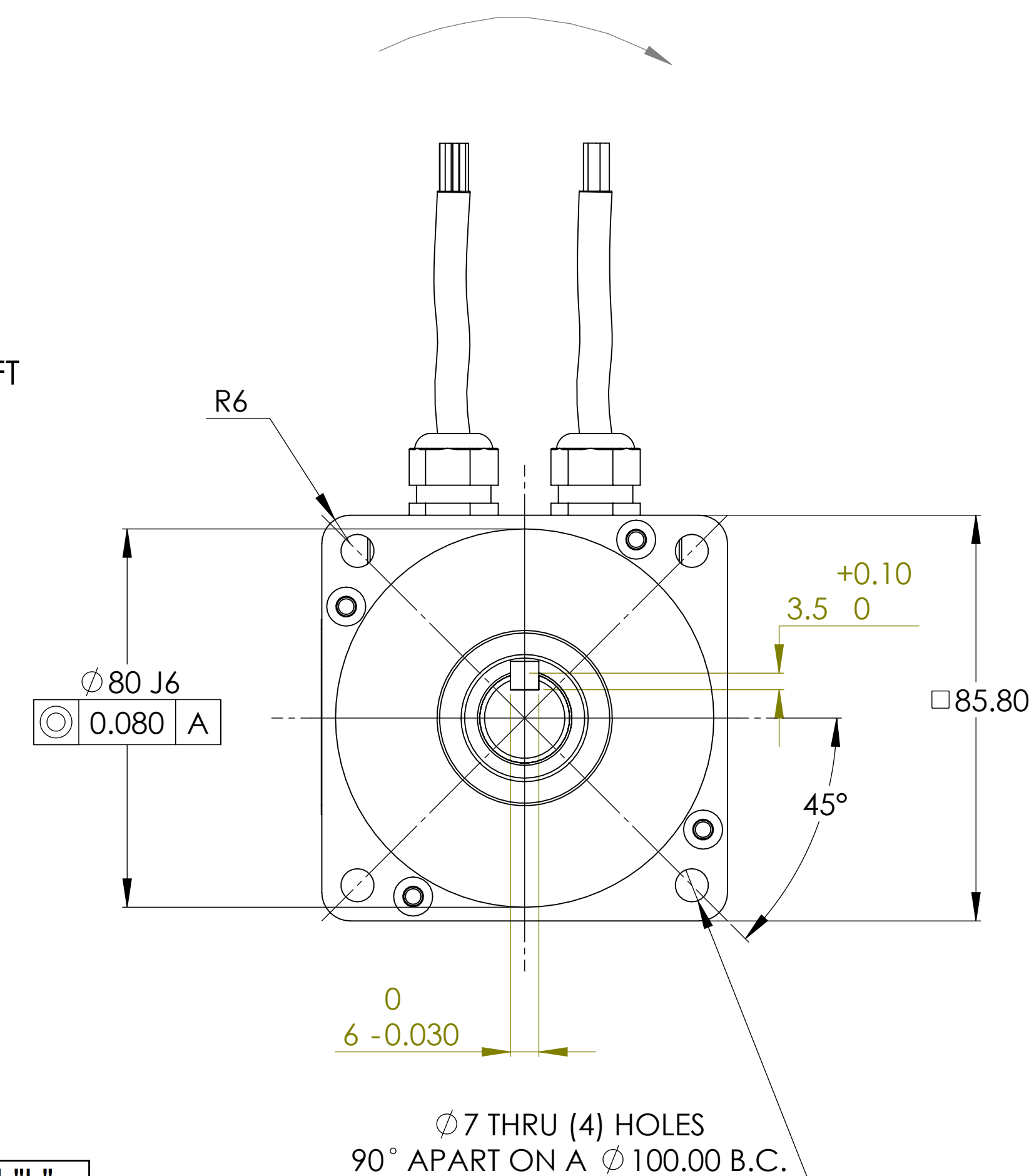
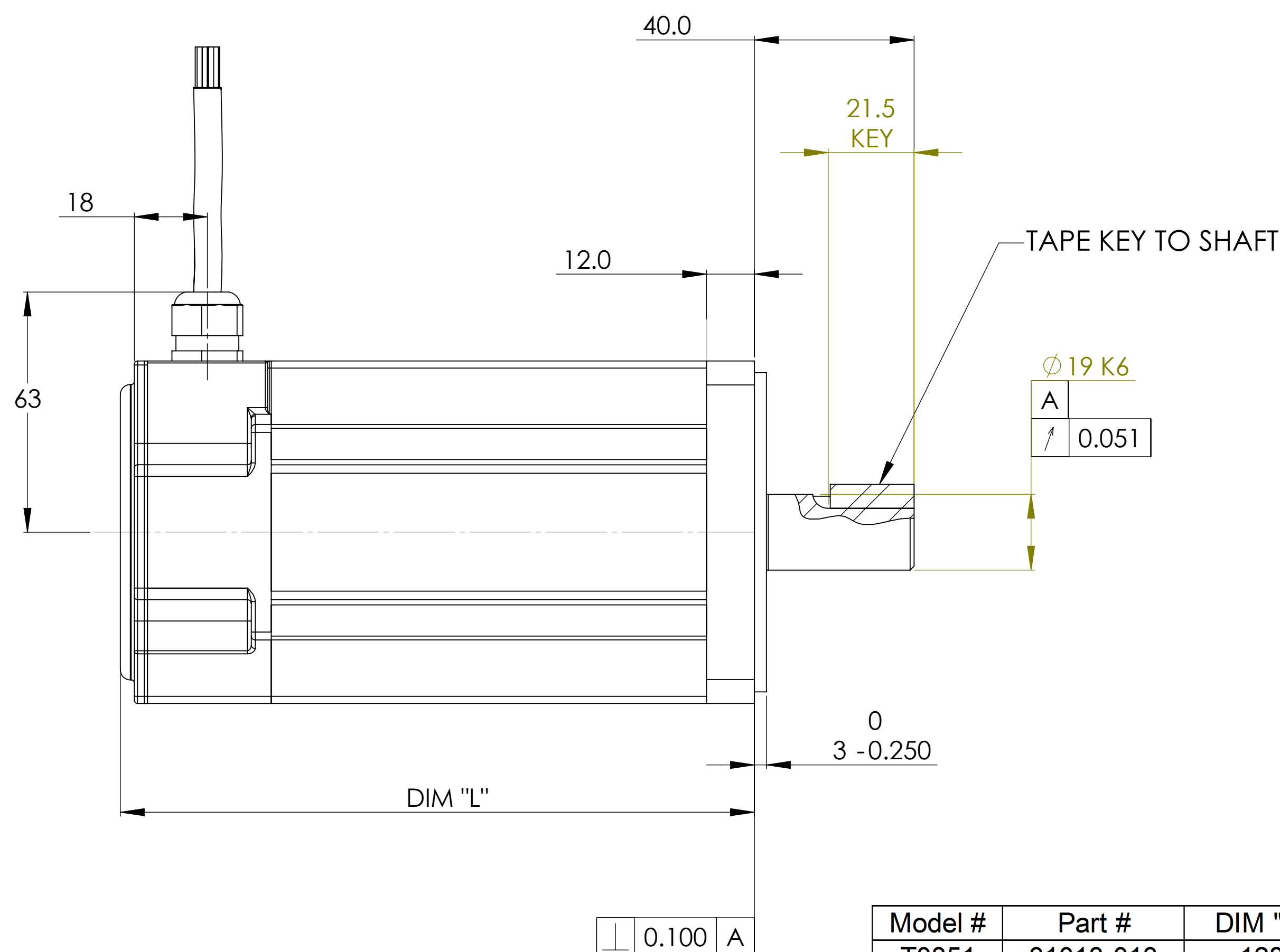
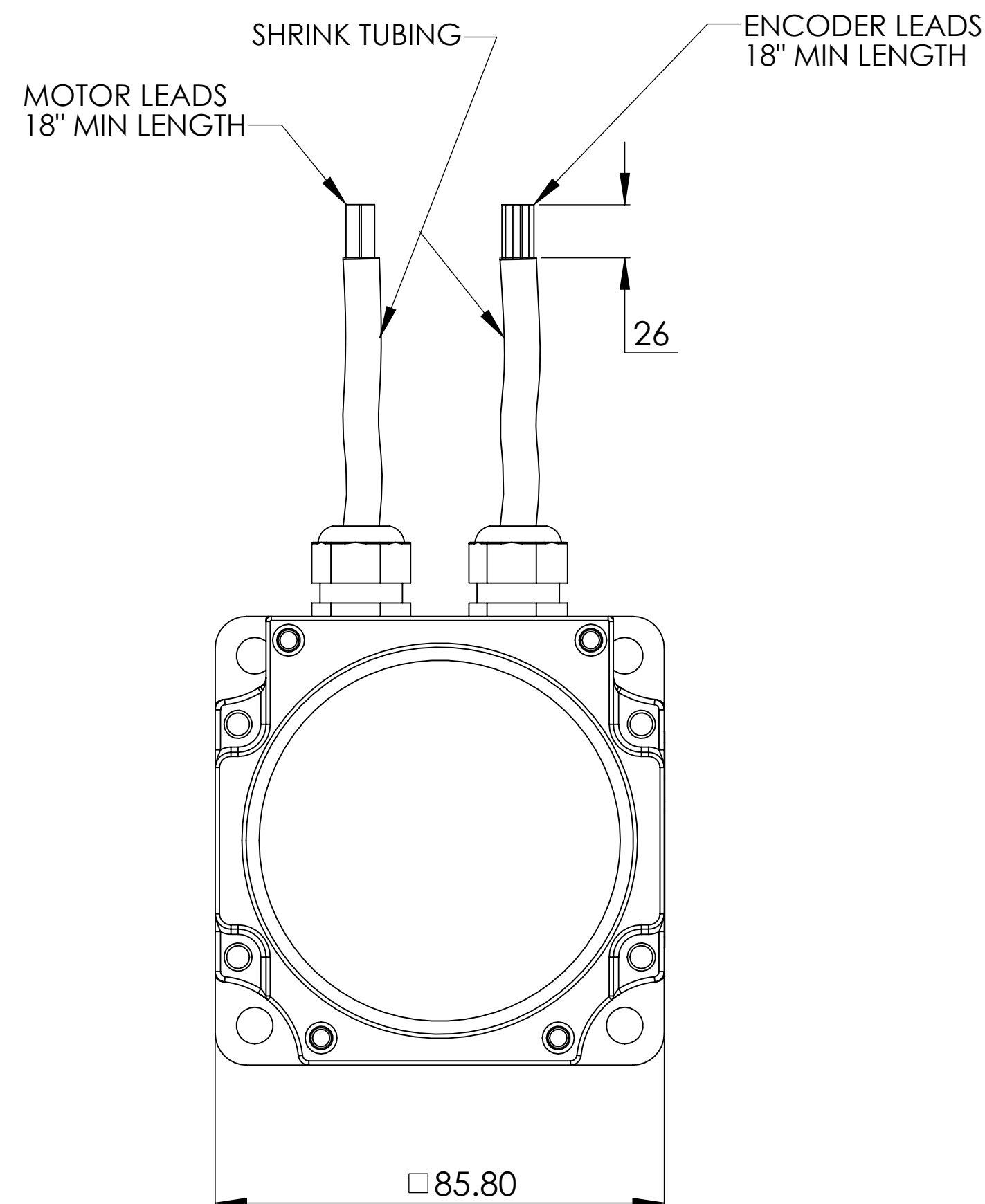
Clockwise rotation, viewed from the motor shaft, results in these waveforms.



ENCODER CABLE WIRING CODE		
FROM	WIRE COLOR	WIRE SIZE
OUTPUT A	BROWN	# 28 AWG.
OUTPUT A'	WHITE	# 28 AWG.
OUTPUT B	BLUE	# 28 AWG.
OUTPUT B'	GREEN	# 28 AWG.
OUTPUT Z	ORANGE	# 28 AWG.
OUTPUT Z'	YELLOW	# 28 AWG.
OUTPUT U (H3)	VIOLET	# 28 AWG.
OUTPUT V (H2)	BROWN/WHITE	# 28 AWG.
OUTPUT W (H1)	ORANGE/WHITE	# 28 AWG.
CASE GROUND	BLACK WHITE	# 28 AWG.
CABLE SHIELD	DRAIN	# 28 AWG.
+ 5 VDC	RED	# 28 AWG.
COMMON	BLACK	# 28 AWG.

REVISIONS				
REV	ECN	DESCRIPTION	DATE	APP'D
A	DR7927	RELEASED	7/7/05	T.M.
B	ECN2458	ADDED LEADS INFO	7/27/05	T.M.
C	ECN2626	ENCODER WIRING CODE CHANGED	1/19/06	T.M.

MOTOR CABLE WIRING CODE		
FROM	WIRE COLOR	WIRE SIZE
MOTOR M1	WHITE	# 12 AWG
MOTOR M2	BLACK	# 12 AWG
MOTOR M3	RED	# 12 AWG
CASE	GREEN	# 12 AWG



NOTES:

1. ROTATION: CLOCKWISE MOTOR ROTATION VIEWING DRIVE END OCCURS WHEN PHASE A LEADS PHASE B, PHASE B LEADS PHASE C.

Model #	Part #	DIM "L"
T0851	31018-013	128
T0852	31018-014	157
T0853	31018-015	186
T0854	31018-016	215

<b>NOTICE</b> <small>Information contained herein is the sole property of MTI Torque Systems, Inc. This may not be reproduced, copied, or traced in any manner in part or whole without the written permission by MTI Torque Systems, Inc.</small>	<b>MILLIMETERS (mm) TOLERANCES UNLESS OTHERWISE SPECIFIED</b> X ±0.25 XX ±0.25 XXX ±0.100 ANGLES ±1°-30° MATERIAL NONE FINISH NONE	APPLICATION		 <b>TORQUE SYSTEMS</b>
		NEXT ASSY	USED ON	
THIRD ANGLE PROJECTION 	DRAWN: TAMEZHER CHECKED: APPROVED:	DATE: 6/28/05 SCALE: 1:1	CAGE CODE: 54572 DWG. NO.: 31018-013-016 REV. C	SHEET 1 OF 1

CAD FILE: 31018-013-016.SDDRW