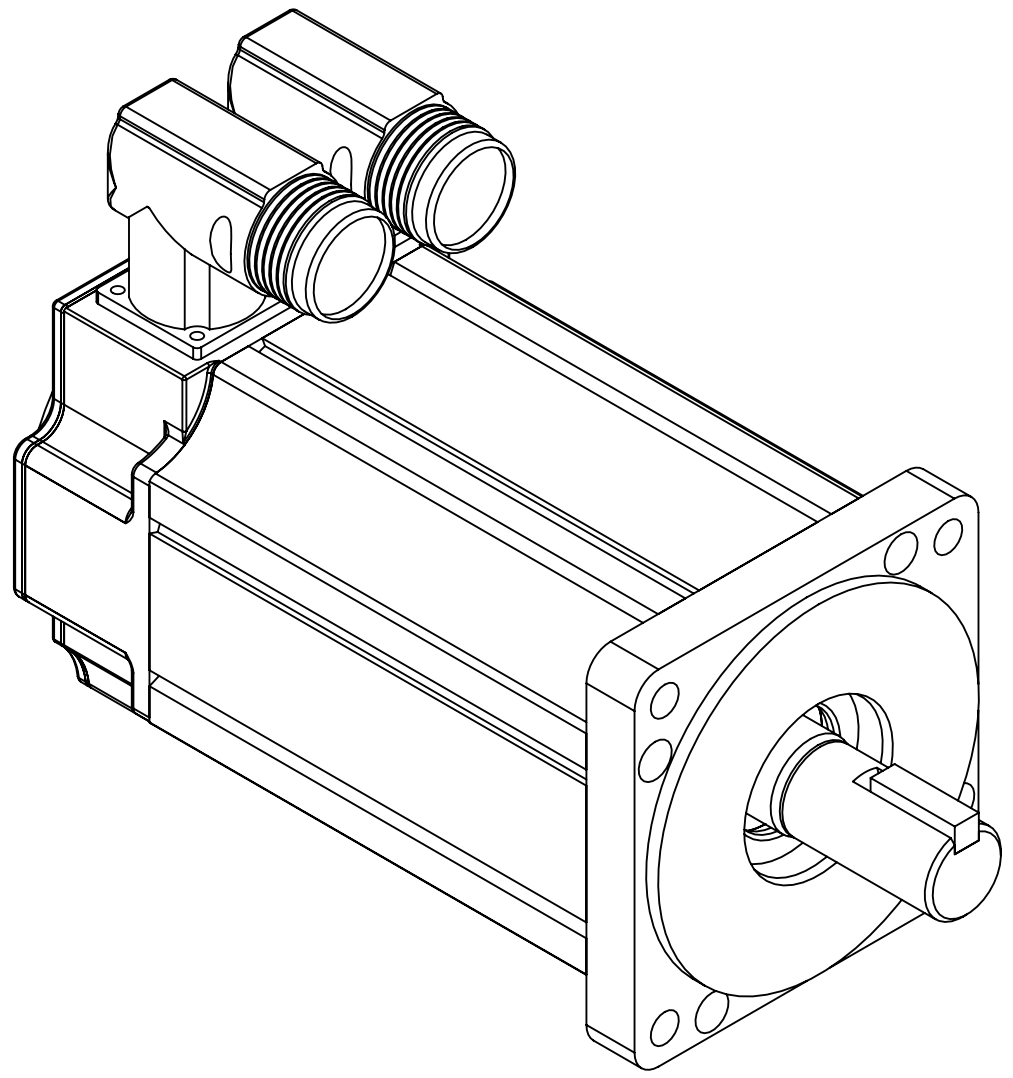
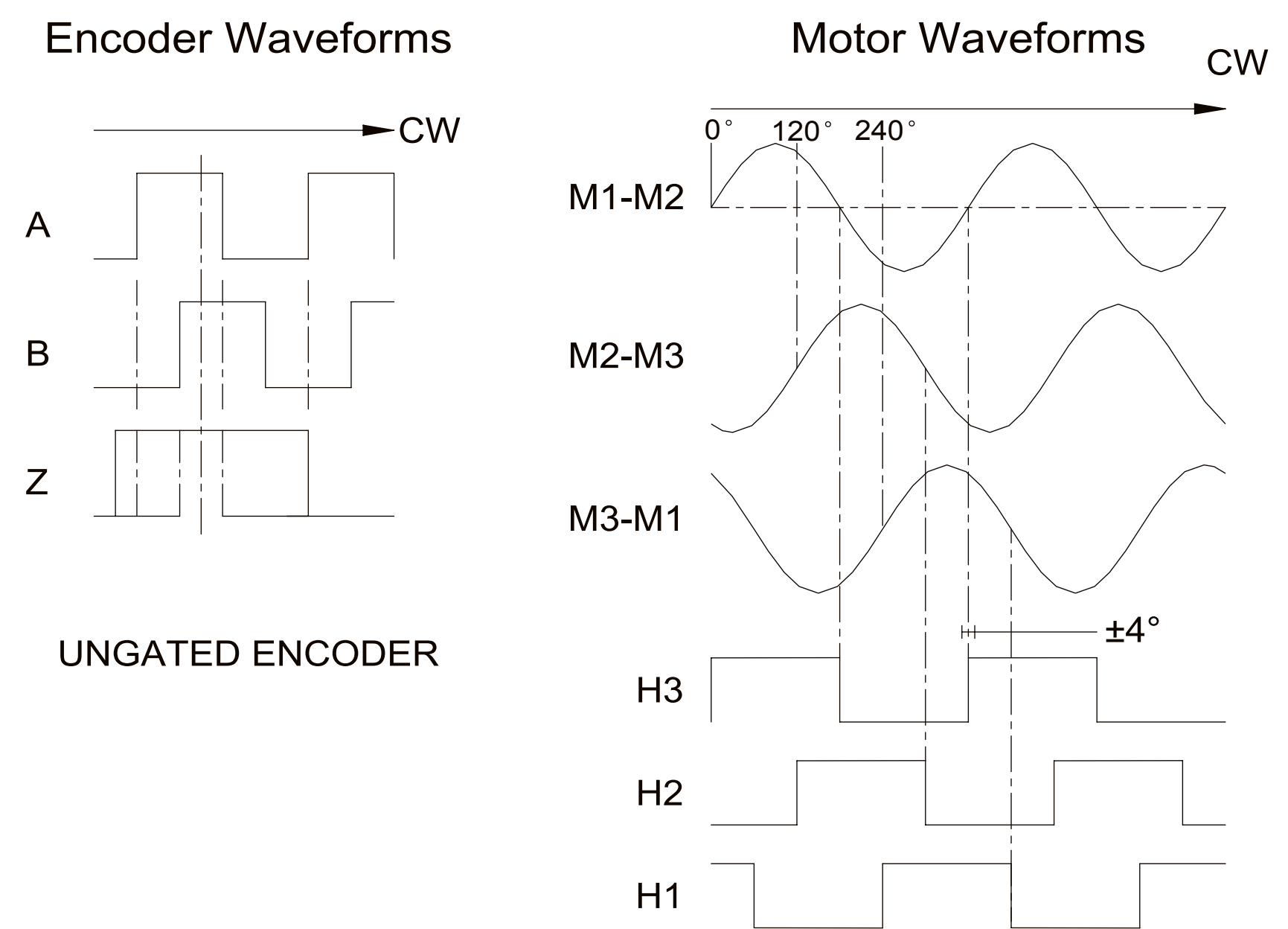


REVISIONS				
REV	ECN	DESCRIPTION	DATE	APP'D
A	DR	RELEASED	12/2/05	T.M.
B	ECN2626	ENCODER WIRING CODE CHANGED	1/19/06	T.M.
C	DR8223	UPDATED OUTLINE TO STANDARDS	8/8/06	T.M.



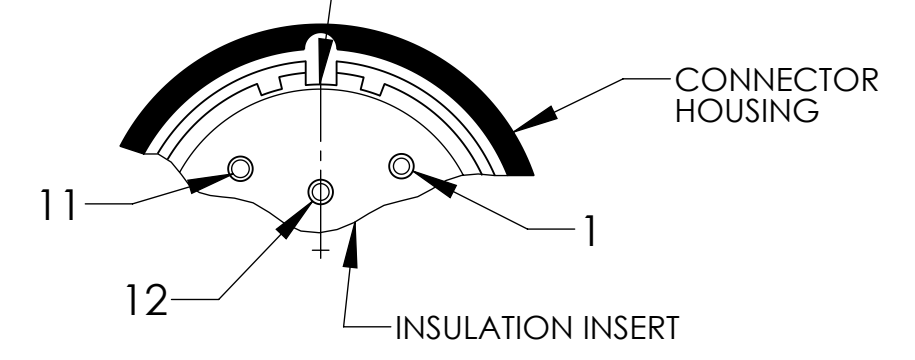
Clockwise rotation, viewed from the motor shaft, results in these waveforms.



ENCODER CONN WIRING	
FROM	TO PIN
OUTPUT B	1
OUTPUT B'	2
OUTPUT A	3
OUTPUT A'	4
OUTPUT Z	5
OUTPUT Z'	6
COMMON	7
+ 5 VDC	10
CASE GROUND	11
OUTPUT U (H3)	15
OUTPUT V (H2)	16
OUTPUT W (H1)	17

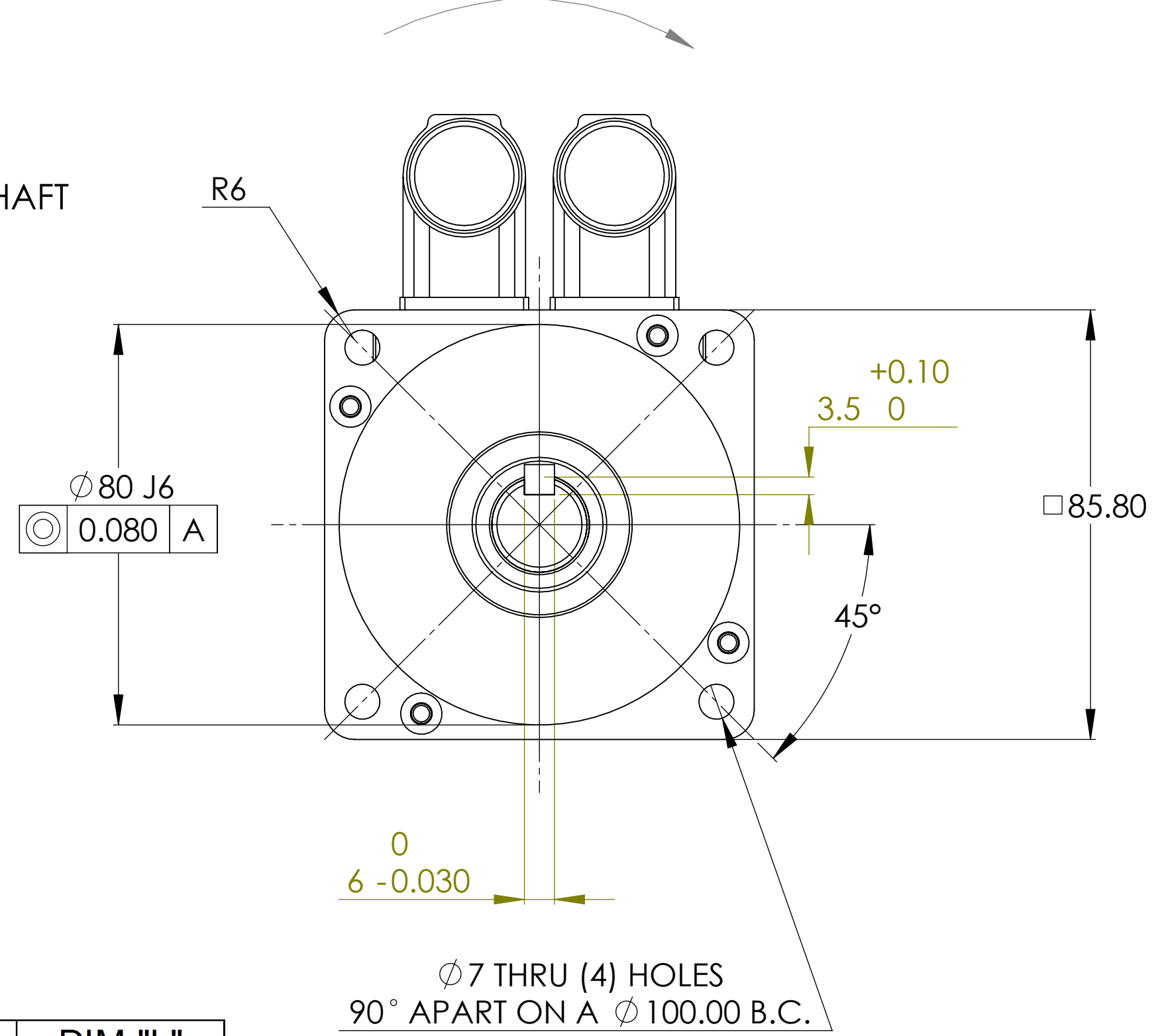
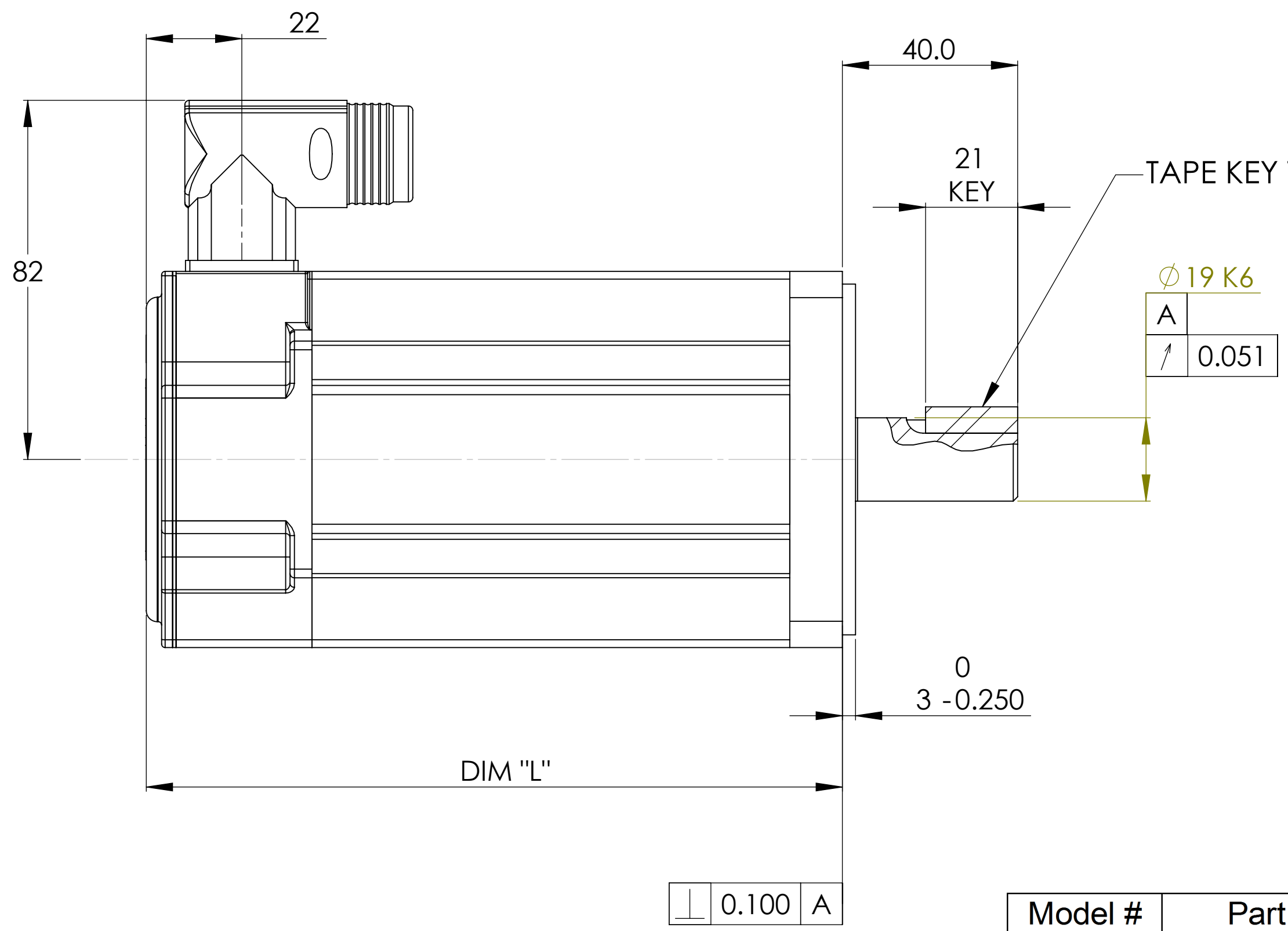
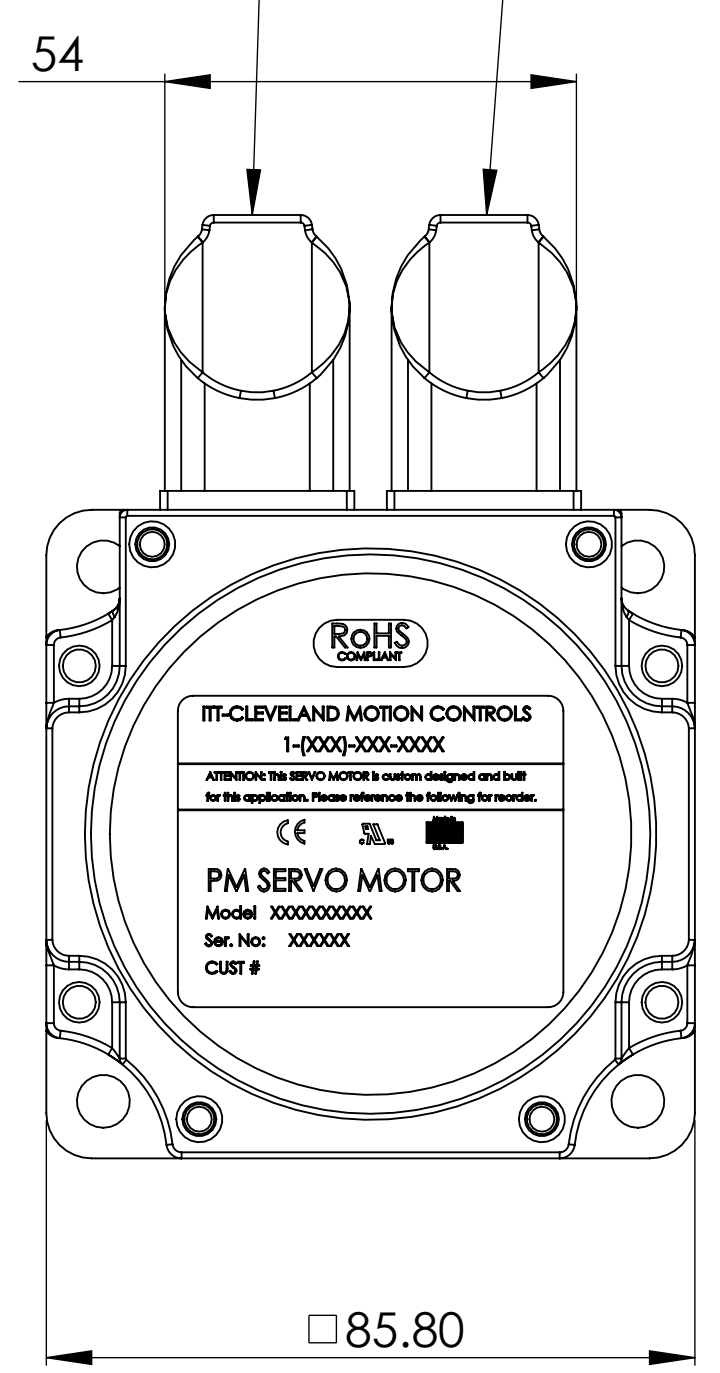
MOTOR CONN. WIRING CODE	
FROM	TO PIN
MOTOR M1	1
MOTOR M3	3
MOTOR M2	4
CASE	

- ALIGN CENTER CODING GROOVE OF INSULATION INSERT TO THE CONNECTOR HOUSING POLARIZATION KEY.
- PIN # 12 WILL BE IN LINE WITH POLARIZATION KEY.



MOTOR CONNECTOR INTER CONTEC P/N: BEDC-089-NN-00-00-0005-000

ENCODER CONNECTOR INTER CONTEC P/N: AEDC-113-NN-00-00-0012-000



NOTES:

1. ROTATION: CLOCKWISE MOTOR ROTATION VIEWING DRIVE END OCCURS WHEN PHASE A LEADS PHASE B, PHASE B LEADS PHASE C.

Model #	Part #	DIM "L"
T0851	31018-009	130
T0852	31018-010	159
T0853	31018-011	188
T0854	31018-012	217

NOTICE
Information contained herein is the sole property of MTI Torque Systems, Inc. This may not be reproduced, copied, or traced in any manner in part or whole without the written permission by MTI Torque Systems, Inc.

THIRD ANGLE PROJECTION

MILLIMETERS (mm) TOLERANCES UNLESS OTHERWISE SPECIFIED	APPLICATION
X ±0.25	NEXT ASSY
XX ±0.25	USED ON
XXX ±0.100	85mm

ANGLES ±0°-30°
MATERIAL N/A
FINISH N/A

DATE 6/28/05
DRAWN T.MEYER
CHECKED
APPROVED

SCALE 1:1

Monteideo Technology, Inc. (MTI)
A Motor And Control Company
TORQUE SYSTEMS

85mm METRIC OUTLINE W/ENCODER & CONNECTOR

SHEET 1 OF 1