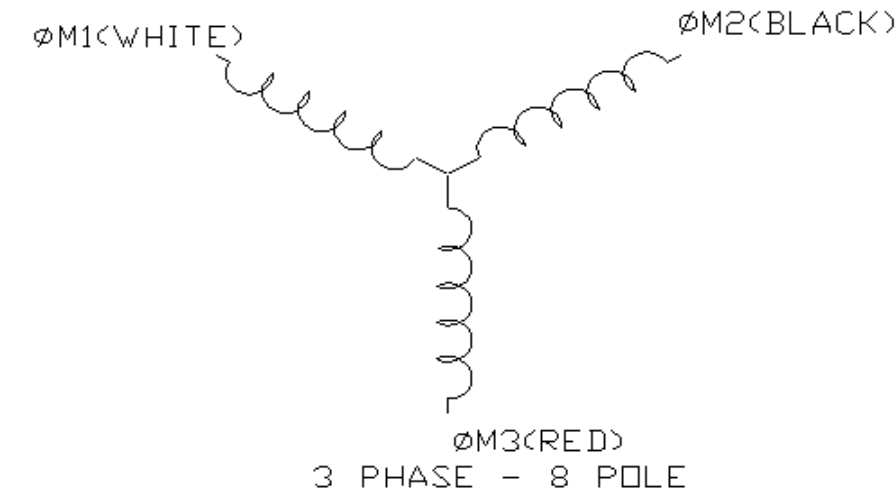
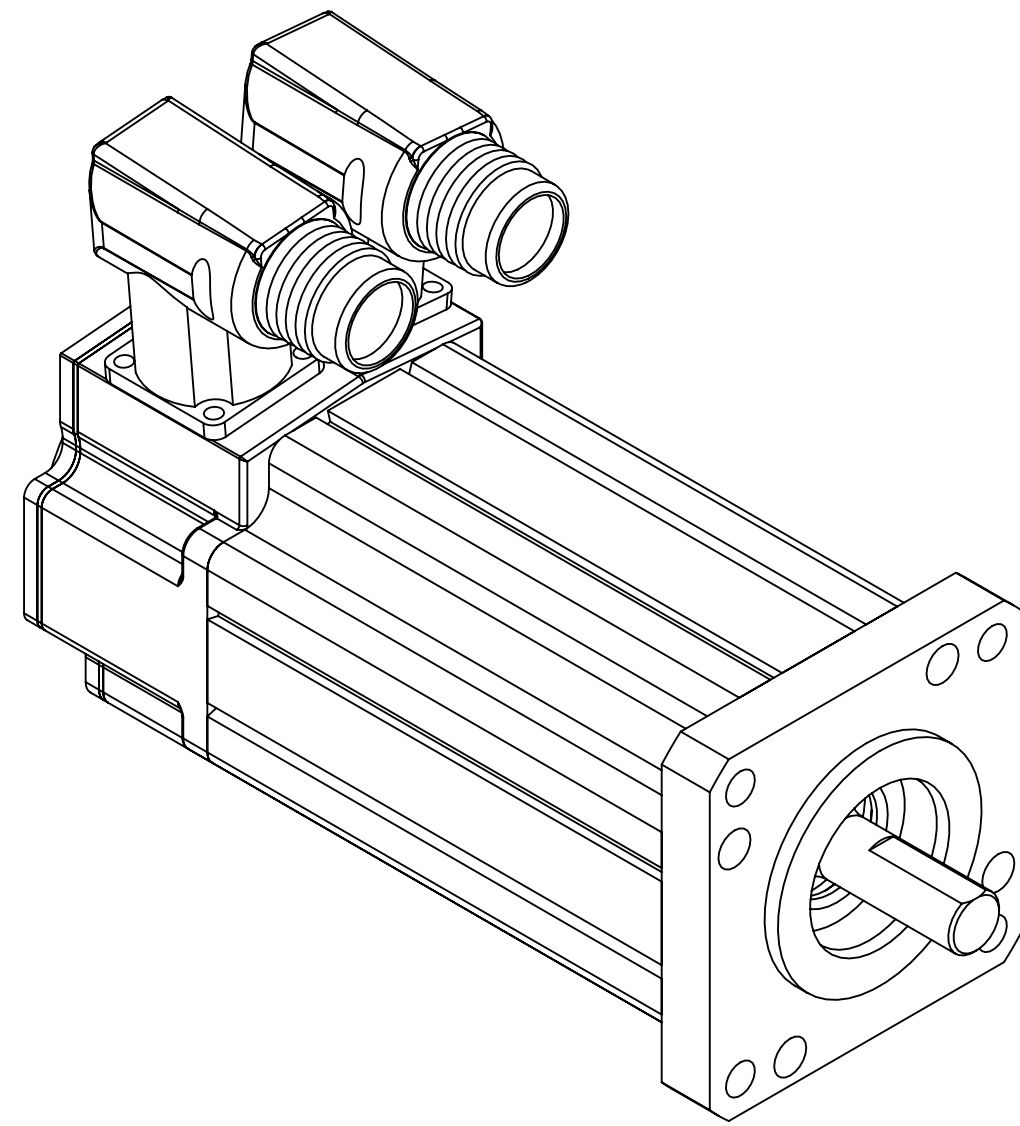
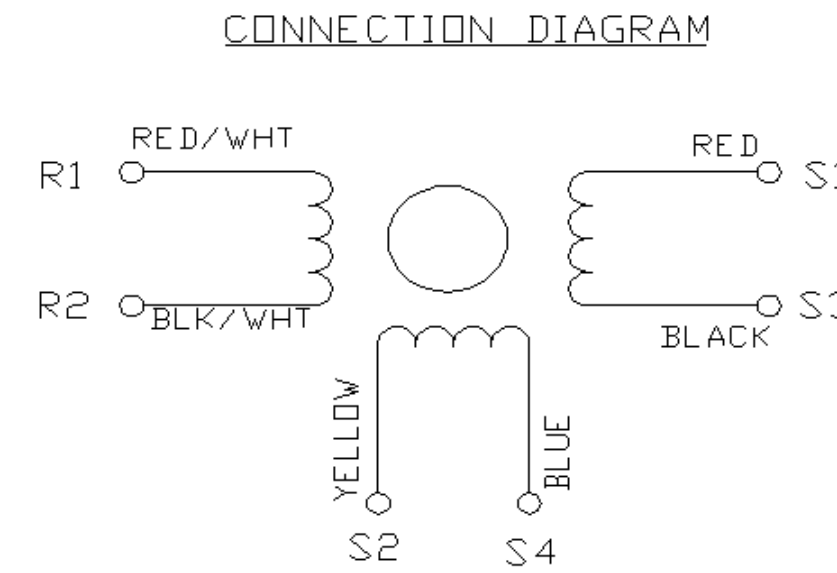
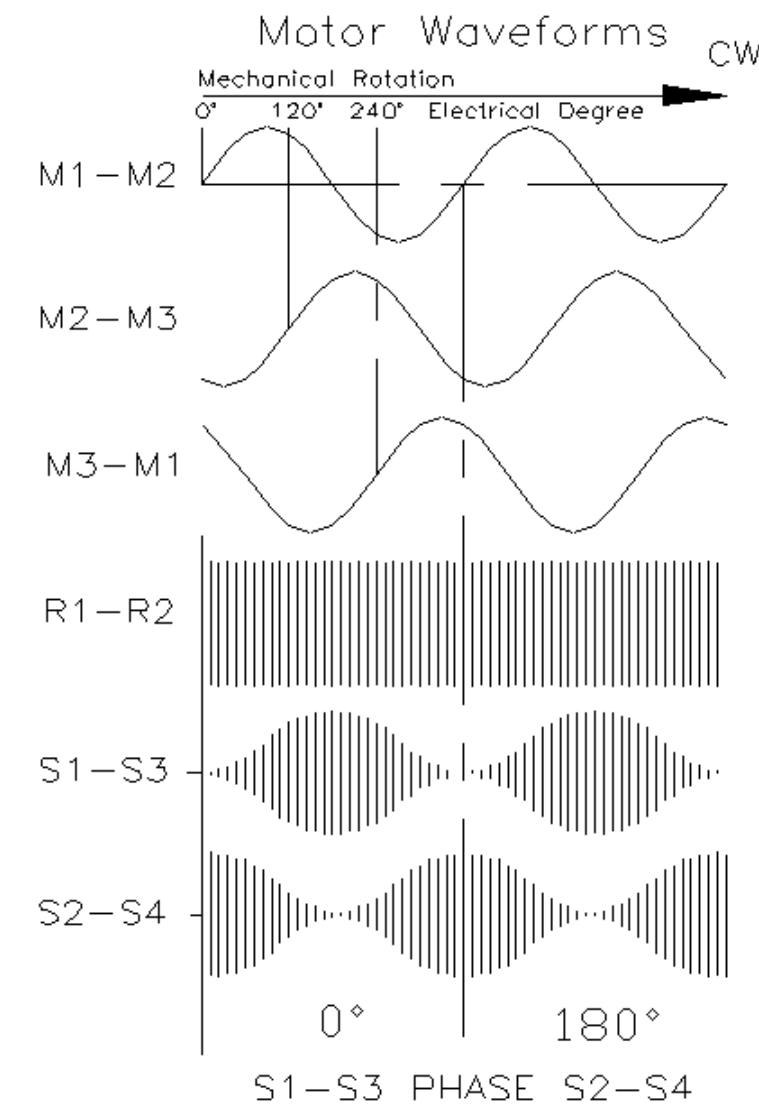


| REVISIONS |        |             |        |       |
|-----------|--------|-------------|--------|-------|
| REV       | ECN    | DESCRIPTION | DATE   | APP'D |
| A         | DR8549 | RELEASED    | 6/8/07 | T.M.  |



Clockwise rotation, viewed from the motor shaft, results in these waveforms.

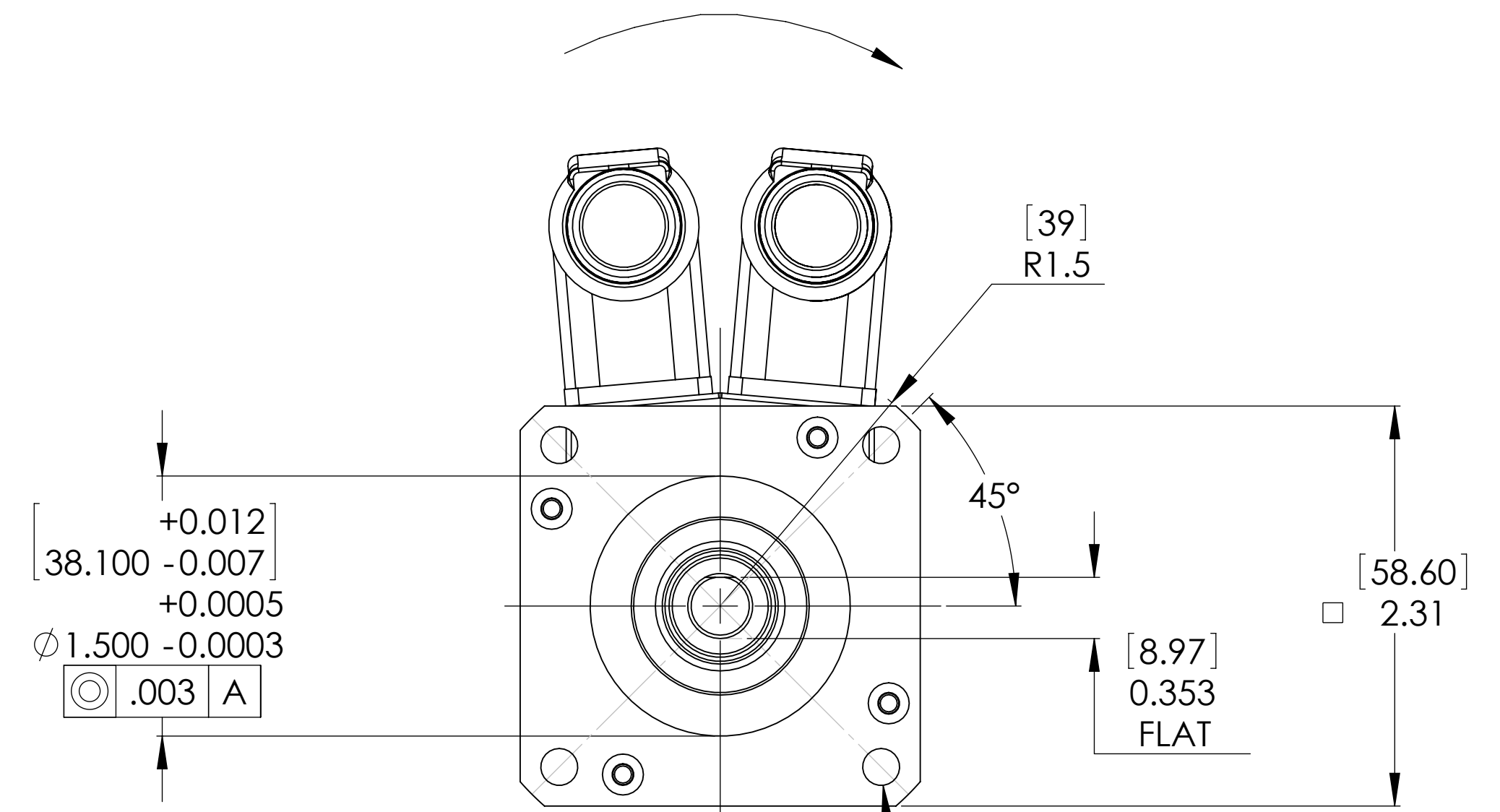
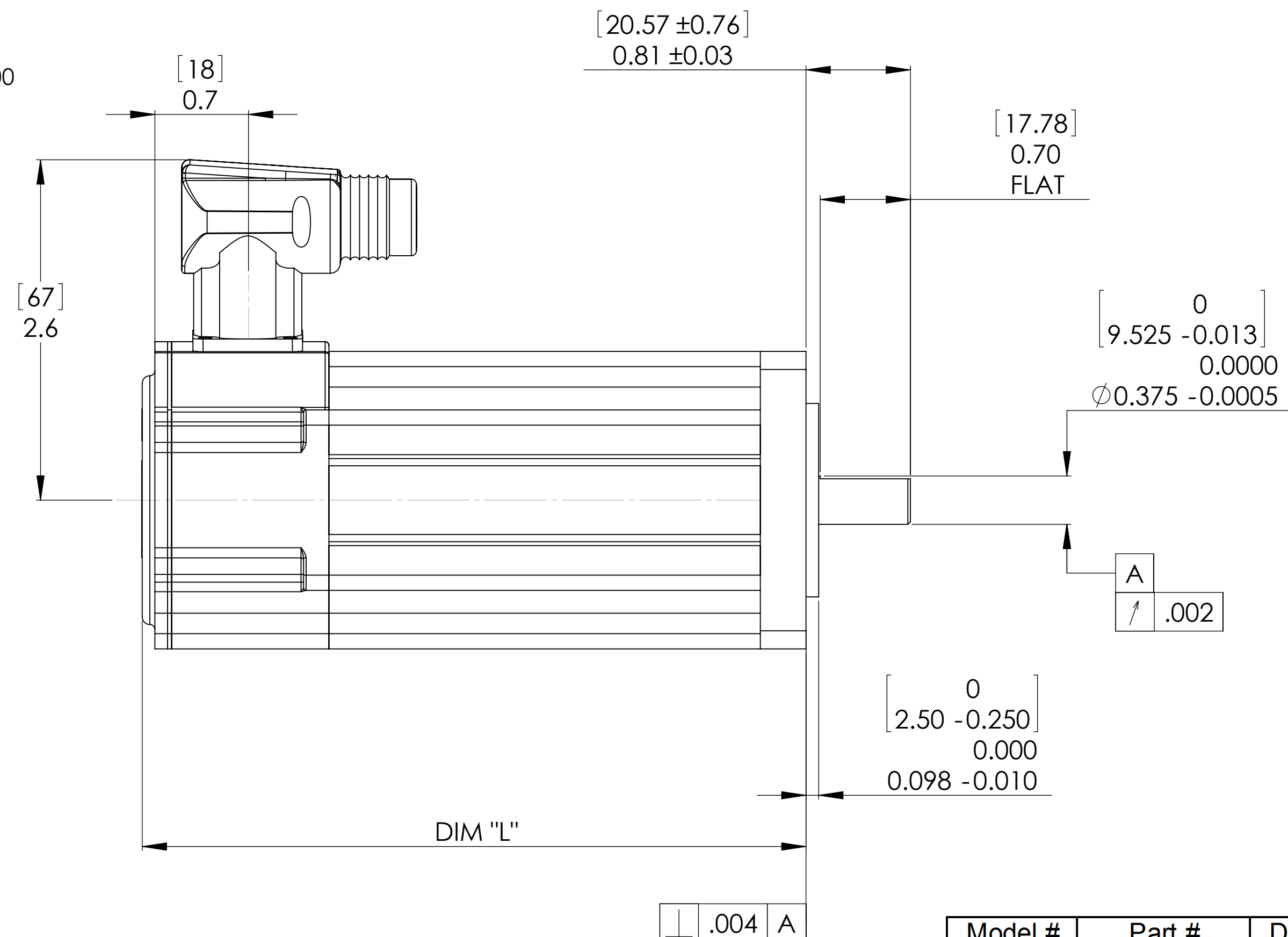
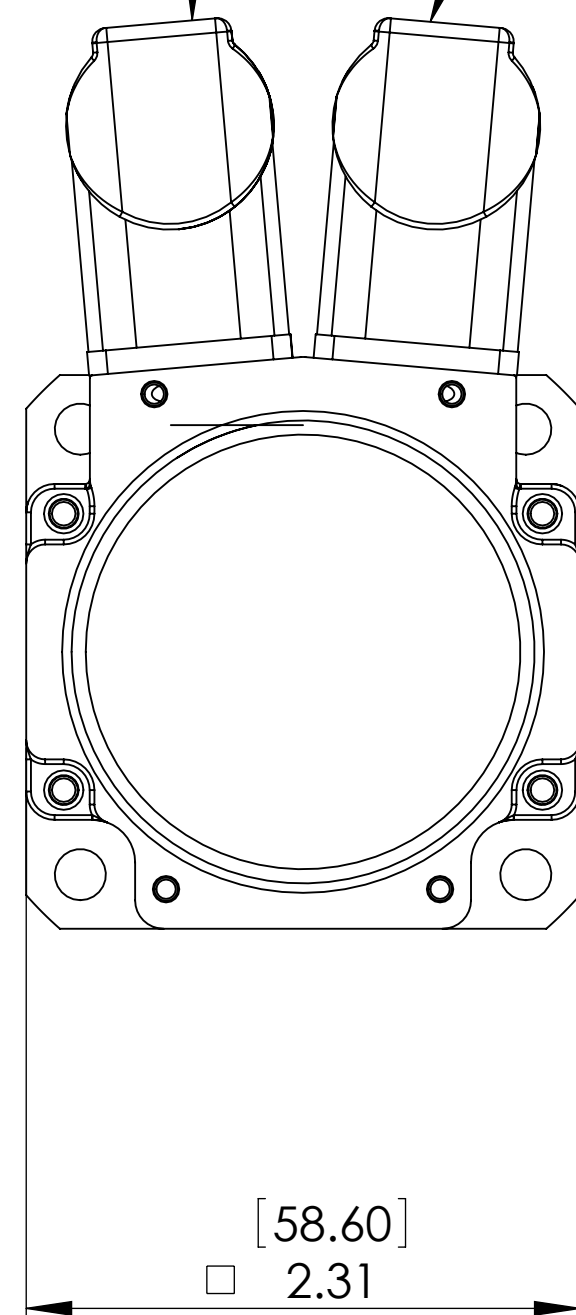


| RESOLVER CONN. WIRING |        |
|-----------------------|--------|
| FROM                  | TO PIN |
| S4                    | 3      |
| S3                    | 4      |
| R2                    | 5      |
| S2                    | 7      |
| S1                    | 8      |
| R1                    | 9      |

| MOTOR CONN. WIRING CODE |        |
|-------------------------|--------|
| FROM                    | TO PIN |
| MOTOR M1                | 1      |
| MOTOR M3                | 3      |
| MOTOR M2                | 2      |
| CASE                    |        |

MOTOR CONNECTOR  
INTER CONTEC P/N:  
BEDC-894-NN-00-00-004A-000

RESOLVER CONNECTOR  
INTER CONTEC P/N:  
AEDC-874-NN-00-00-002A-000



Ø0.213 [5.41] THRU (4) HOLES  
90° APART ON A Ø2.625 [66.675] B.C.

NOTES:

1. ROTATION: CLOCKWISE MOTOR ROTATION VIEWING DRIVE END OCCURS WHEN PHASE A LEADS PHASE B, PHASE B LEADS PHASE C.

| Model # | Part #    | DIM "L" (in) | DIM "L" (mm) |
|---------|-----------|--------------|--------------|
| T0601   | 33011-001 | 4.4          | 112          |
| T0602   | 33011-002 | 5.2          | 131          |
| T0603   | 33011-003 | 5.9          | 150          |
| T0604   | 33011-004 | 6.7          | 169          |

DIMENSIONS IN BRACKETS [DUAL] ARE IN MILLIMETERS

|  |  |   |  |  |
|--|--|---|--|--|
| <p><b>NOTICE</b><br/>Information contained herein is the sole property of MTI Torque Systems, Inc. This may not be reproduced, copied, or traced in any manner in part or whole without the written permission by MTI Torque Systems, Inc.</p> |  | <p>APPLICATION<br/>NEXT ASSY USED ON<br/>58mm</p> |  | <p>MonteVideo Technology, Inc. (MTI)<br/>A Motor And Control Company<br/><b>TORQUE SYSTEMS</b></p> |
| <p>THIRD ANGLE PROJECTION</p>  |  | <p>DRAWN 8/9/05<br/>CHECKED<br/>APPROVED</p>      |  |  |
| <p>FINISH</p>  |  | <p>SHEET 1 OF 1</p>                               |  | <p>OUTLINE 60 mm 3/8" NEMA23 W/RES, CONNECTORS &amp; FLAT</p>                                      |

CAD FILE: 33011-001-0041.SLDDRW