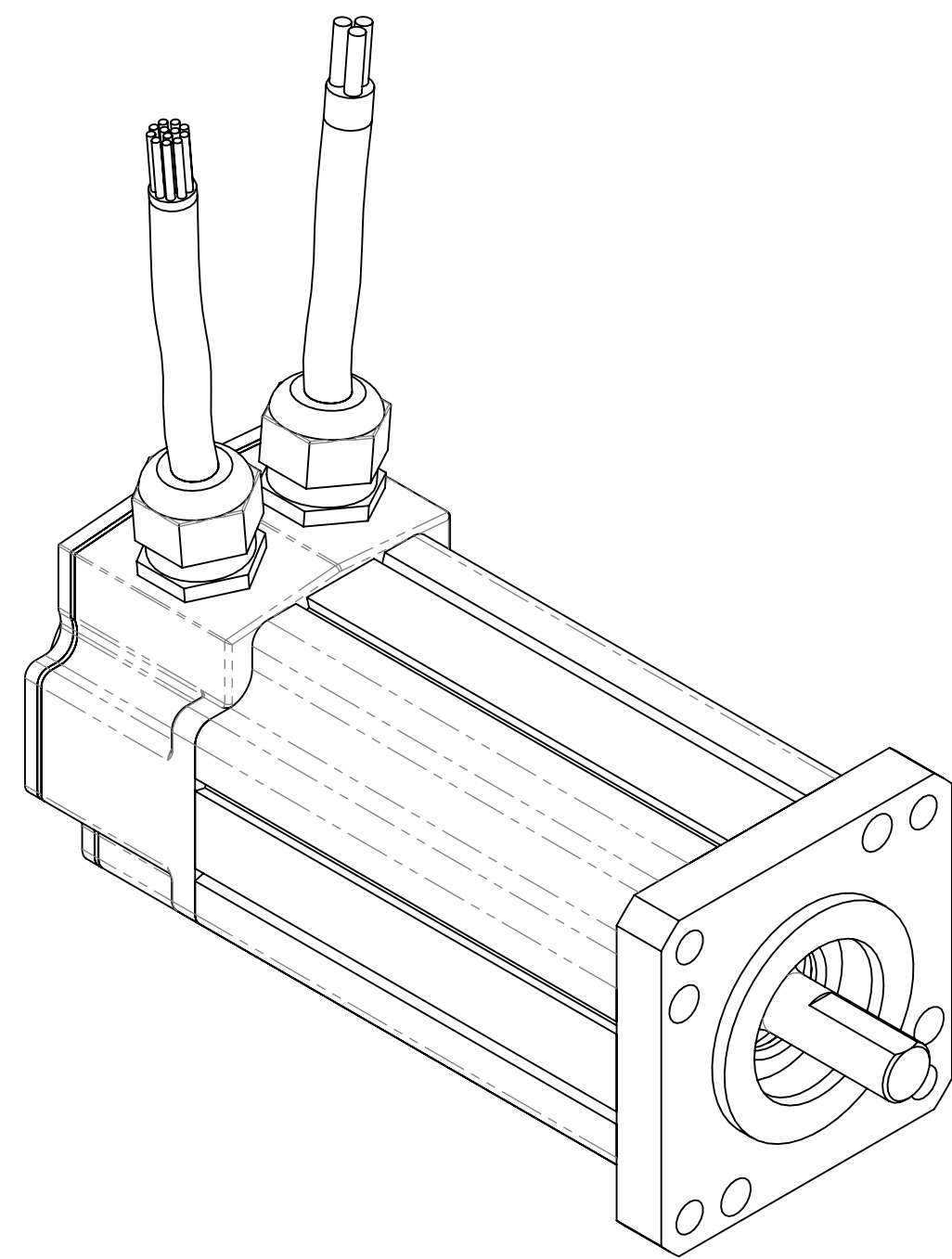
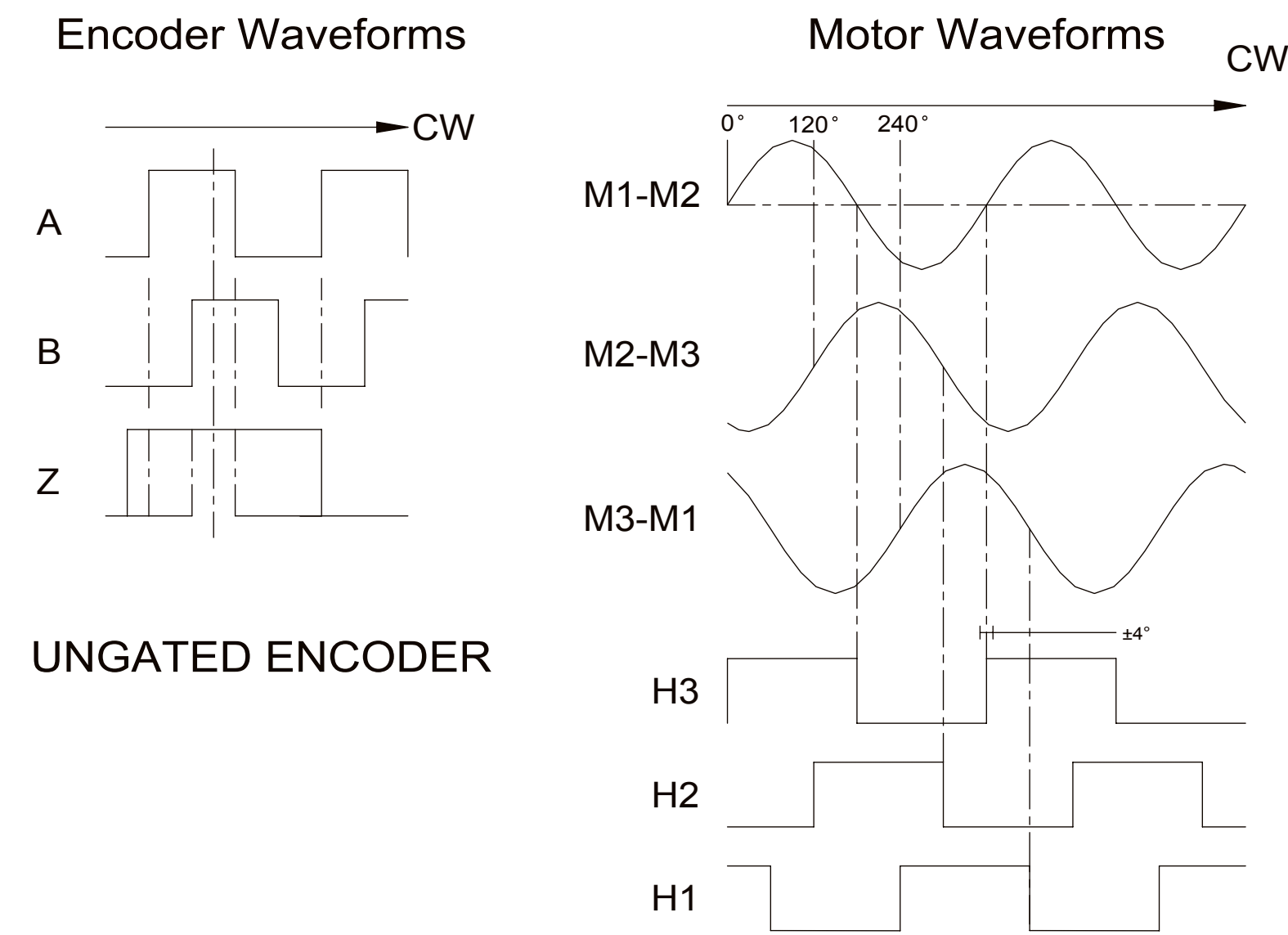


REVISIONS				
REV	ECN	DESCRIPTION	DATE	APP'D
A	DR7983	RELEASE	10/12/05	T.M.
B	DR7995	UPDATED LENGTH, & RELEASE 33011-015	11/7/05	T.M.
C	DR8005	UPDATED DRG, & RELEASED 33011-014	11/16/05	T.M.
D	ECN2624	ENCODER WIRE CODE CHANGED	1/23/06	T.M.
E	ECN2962	MOTOR WIRE WAS 16, NOW IS 20AWG	12/06/06	J.S.

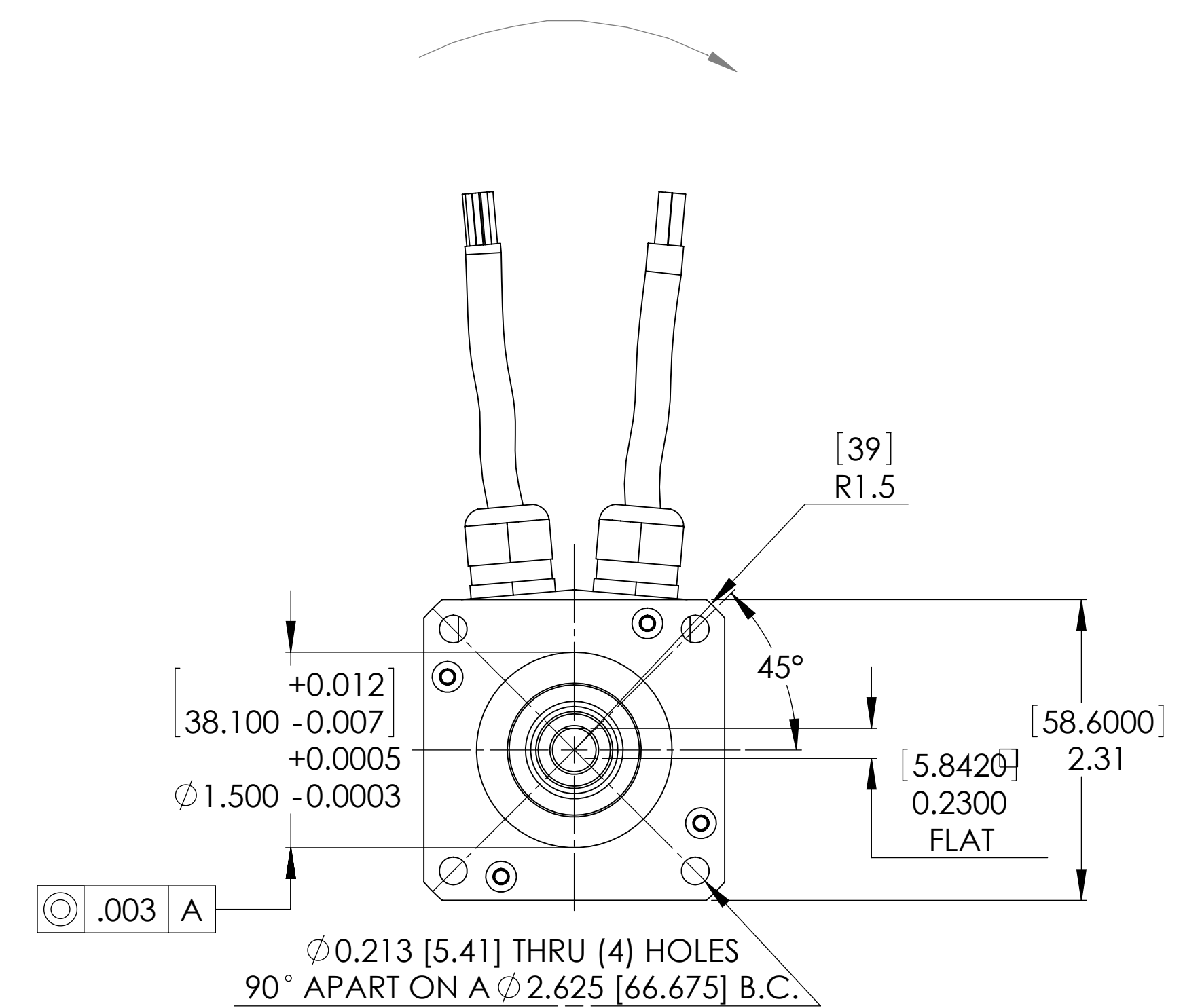
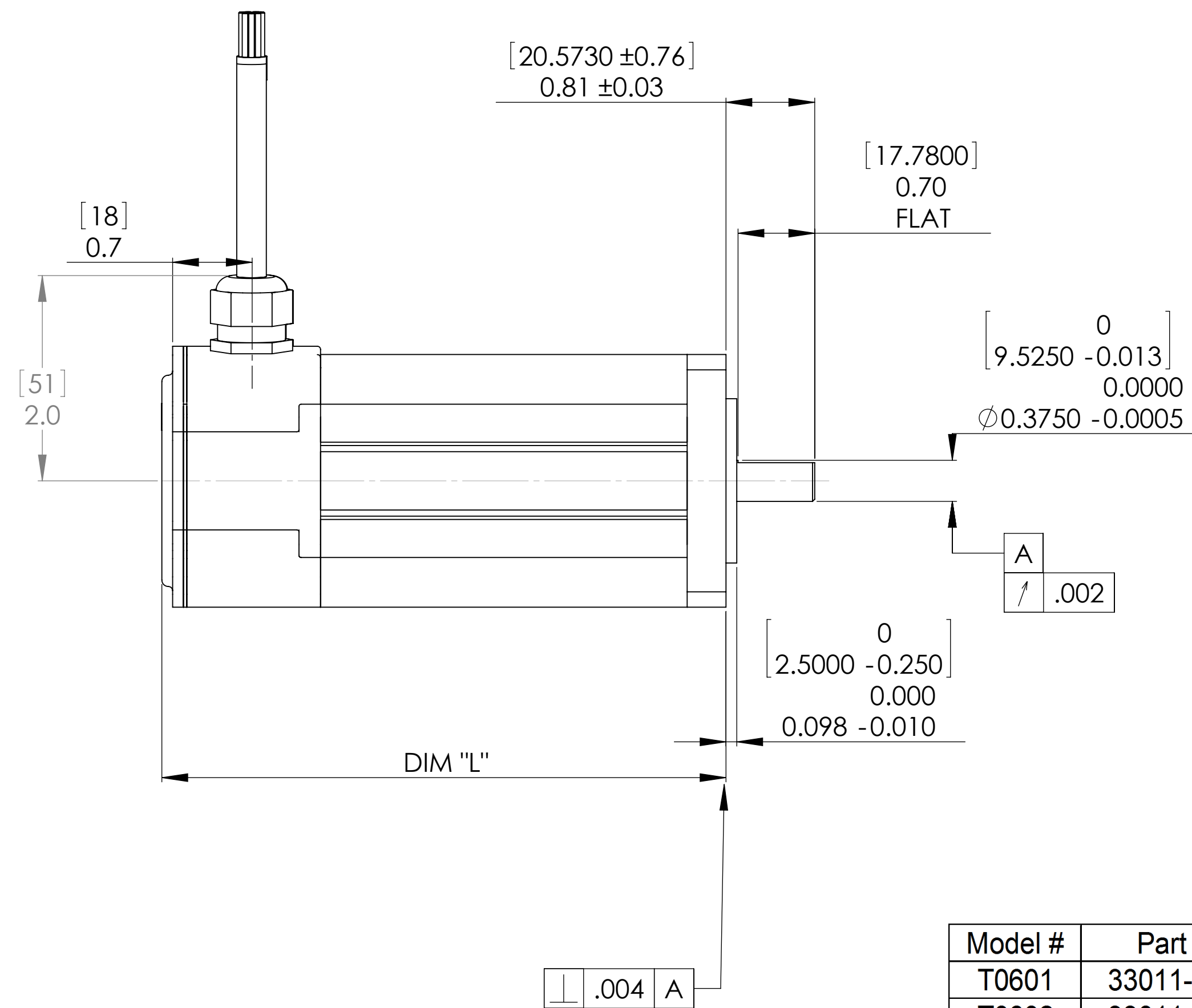
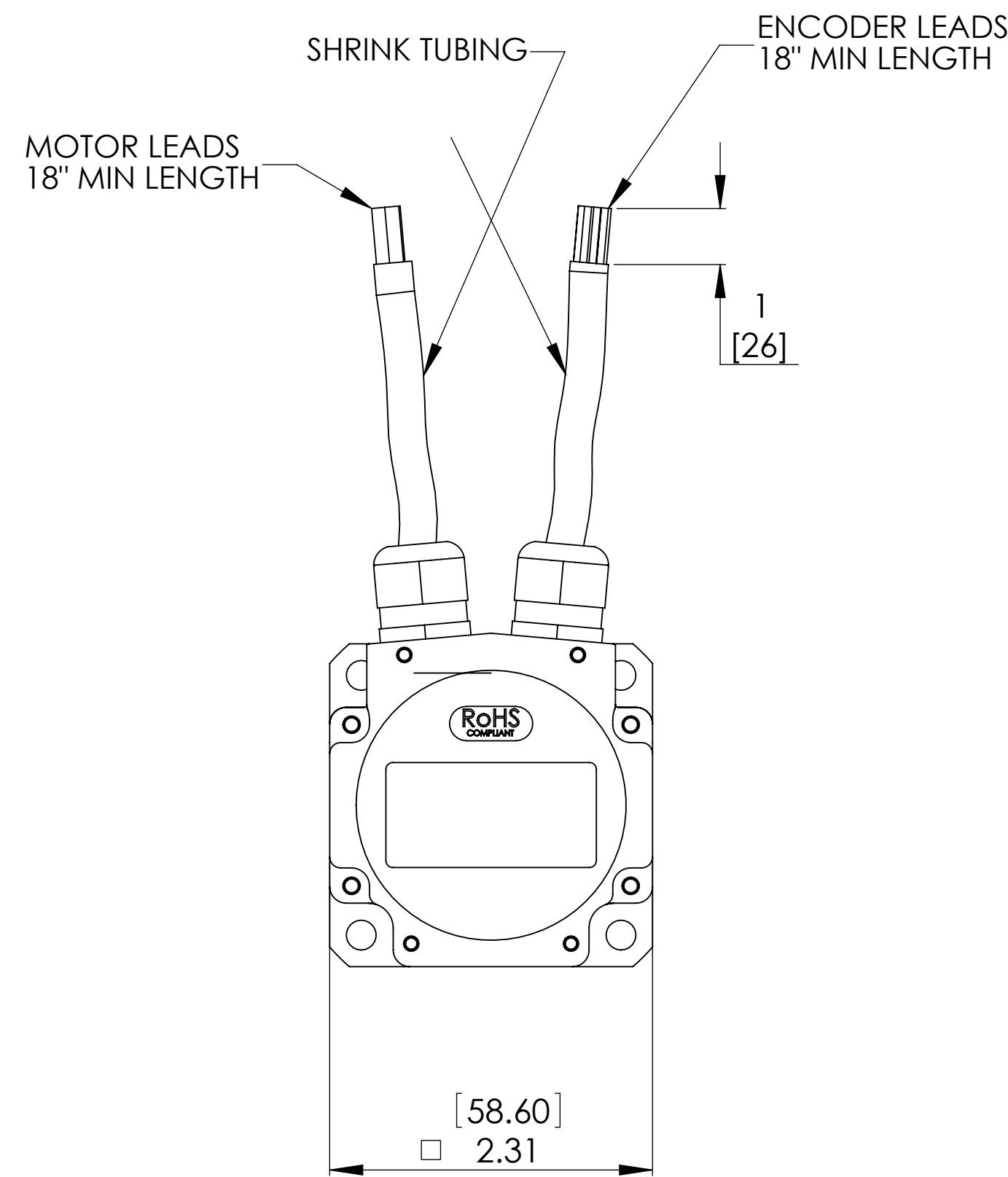


Clockwise rotation, viewed from the motor shaft, results in these waveforms.



ENCODER CABLE WIRING CODE		
FROM	WIRE COLOR	WIRE SIZE
OUTPUT A	BROWN	# 28 AWG.
OUTPUT A'	WHITE	# 28 AWG.
OUTPUT B	BLUE	# 28 AWG.
OUTPUT B'	GREEN	# 28 AWG.
OUTPUT Z	ORANGE	# 28 AWG.
OUTPUT Z'	YELLOW	# 28 AWG.
OUTPUT U (H3)	VIOLET	# 28 AWG.
OUTPUT V (H2)	BROWN/WHITE	# 28 AWG.
OUTPUT W (H1)	ORANGE/WHITE	# 28 AWG.
CASE GROUND	BLACK WHITE	# 28 AWG.
CABLE SHIELD	DRAIN	# 28 AWG.
+ 5 VDC	RED	# 28 AWG.
COMMON	BLACK	# 28 AWG.

MOTOR CABLE WIRING CODE		
FROM	WIRE COLOR	WIRE SIZE
MOTOR M1	WHITE	# 20 AWG
MOTOR M3	RED	# 20 AWG
MOTOR M2	BLACK	# 20 AWG
CASE	GREEN	# 20 AWG



NOTES:
1. ROTATION: CLOCKWISE MOTOR ROTATION VIEWING DRIVE END OCCURS WHEN PHASE A LEADS PHASE B, PHASE B LEADS PHASE C.

Model #	Part #	DIM "L" (in)	DIM "L" (mm)
T0601	33011-013	4.4	112
T0602	33011-014	5.2	131
T0603	33011-015	5.9	150
T0604	33011-016	6.7	169

DIMENSIONS IN BRACKETS [DUAL] ARE IN MILLIMETERS

NOTICE
Information contained herein is the sole property of MTI Torque Systems, Inc. This may not be reproduced, copied, or traced in any manner in part or whole without the written permission by MTI Torque Systems, Inc.

THIRD ANGLE PROJECTION

MILLIMETERS (mm) TOLERANCES UNLESS OTHERWISE SPECIFIED	APPLICATION
X ±0.25	NEXT ASSY USED ON
XX ±0.25	60mm
XXX ±0.100	

ANGLES ±0°-30°
MATERIAL N/A
FINISH N/A

DRAWN: T. MEZHER 8/10/05
CHECKED: F.M.R. 8/12/05
APPROVED:

MonteVideo Technology, Inc. (MTI)
A Motor And Control Company
TORQUE SYSTEMS

TITLE: OUTLINE 60 mm 3/8" NEMA23 W/ENCODER, LEADS & FLAT
CAGE CODE: 54572 DWG. NO.: 33011-013-016
SCALE: 1:1 SHEET 1 OF 1