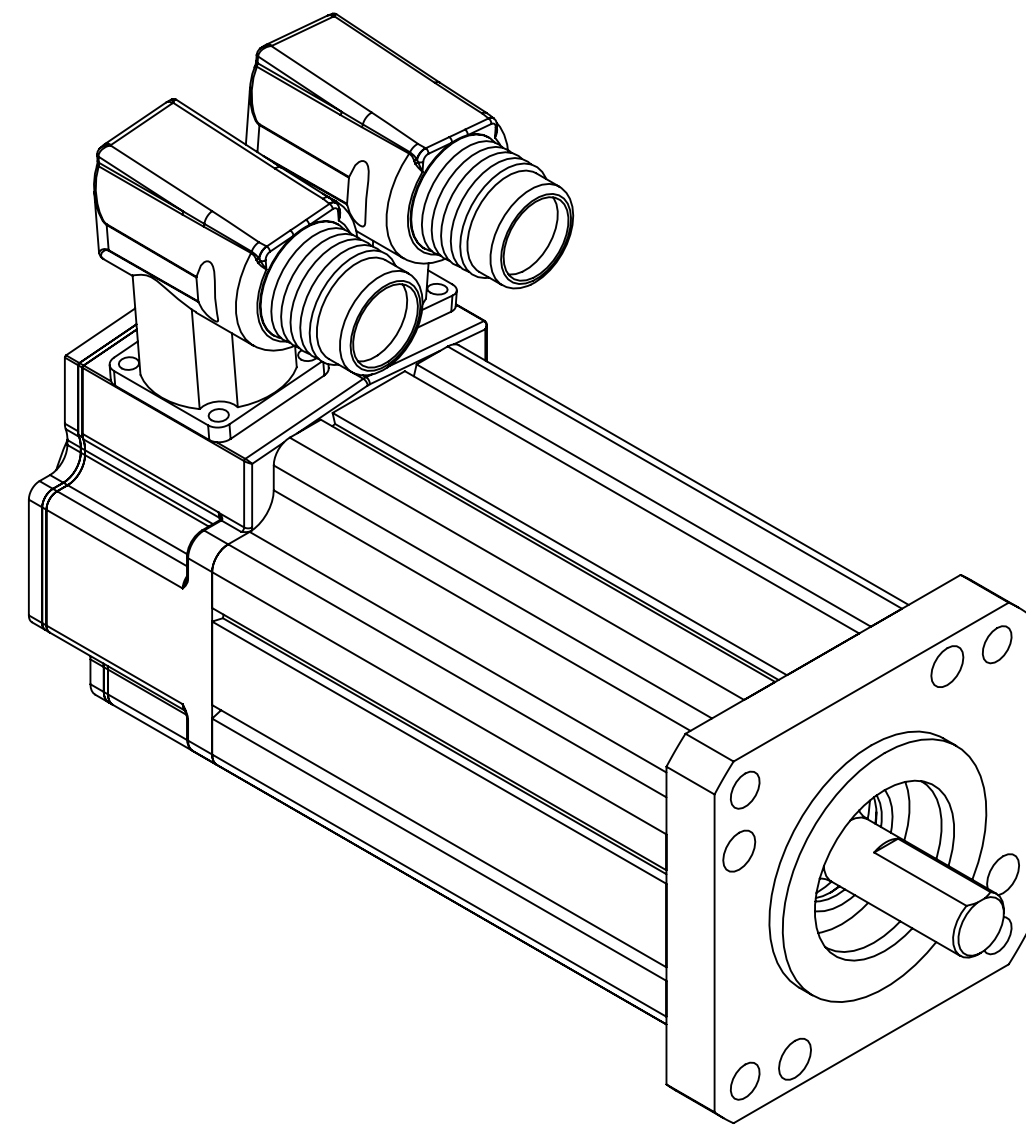
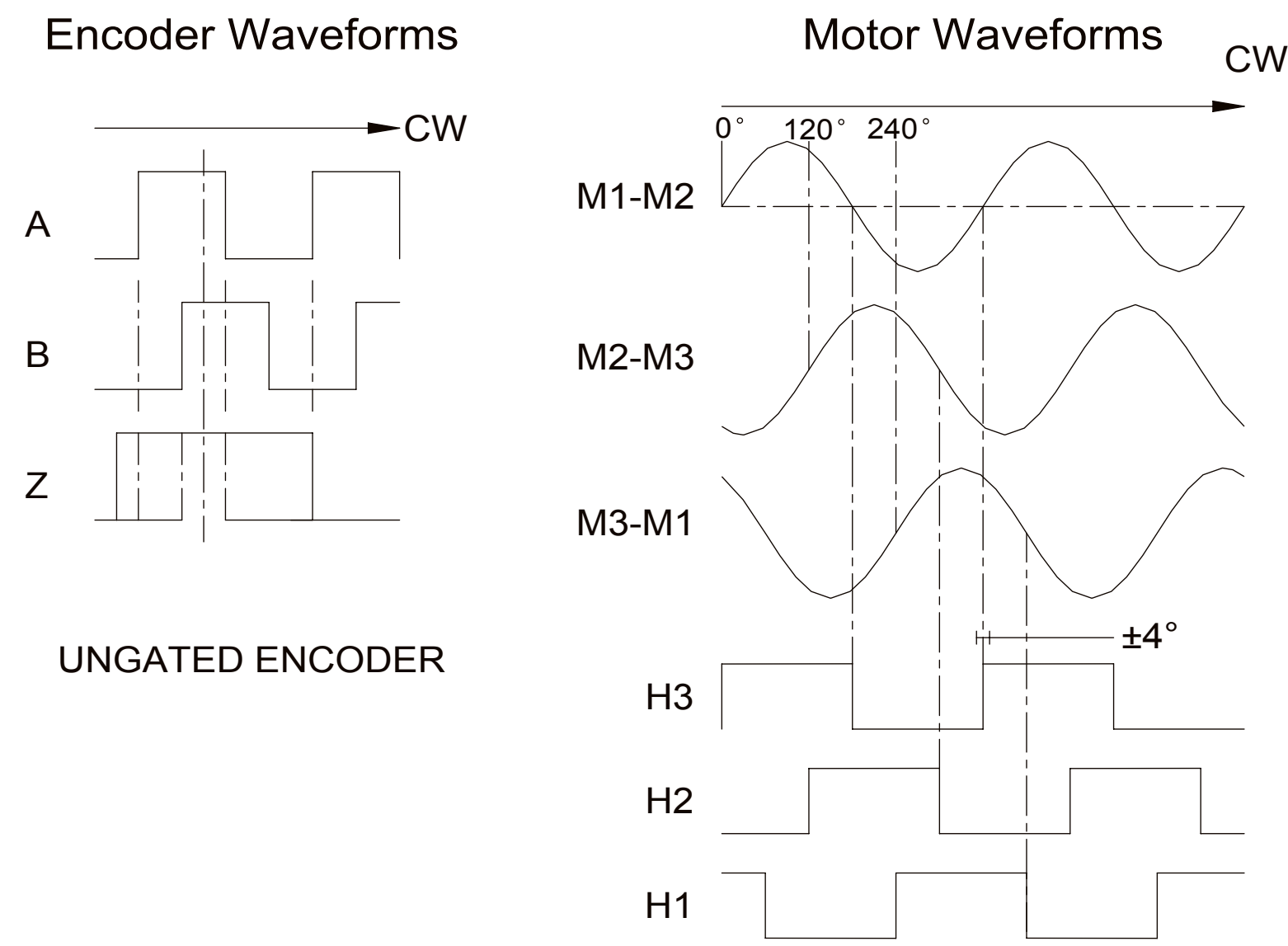


REVISIONS				
REV	ECN	DESCRIPTION	DATE	APP'D
A	DR8139	RELEASED	4/24/06	F.M.



Clockwise rotation, viewed from the motor shaft, results in these waveforms.



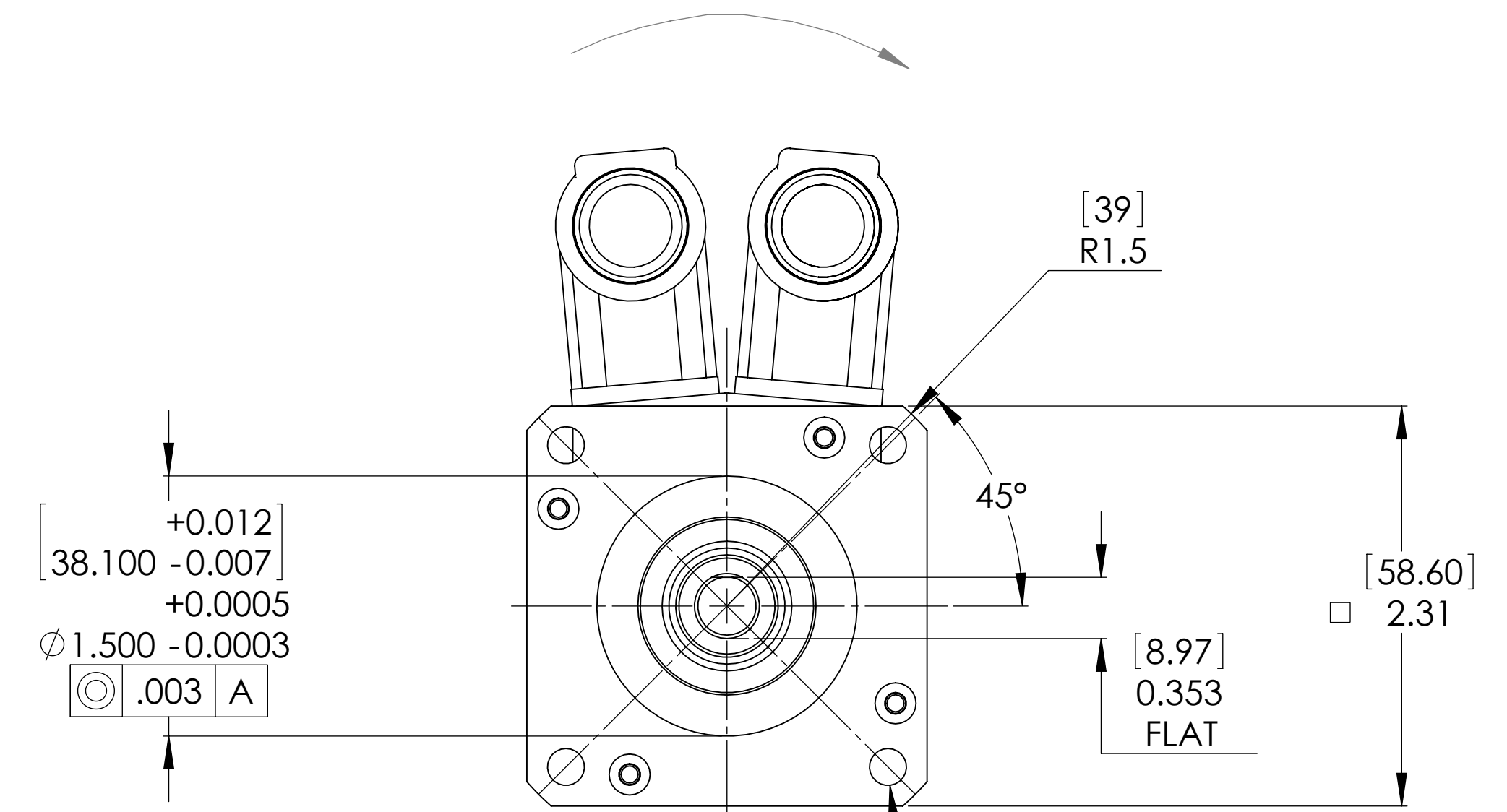
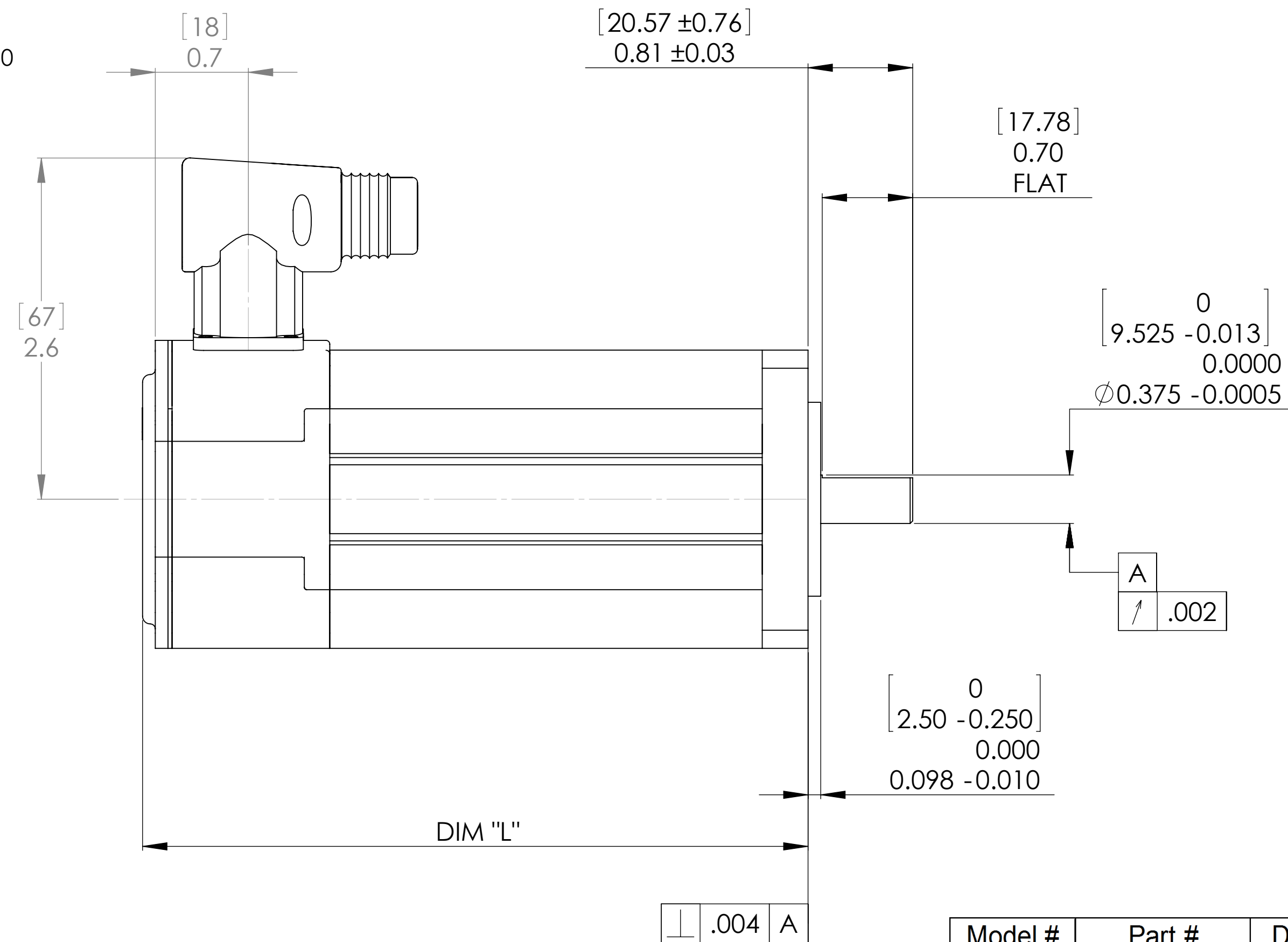
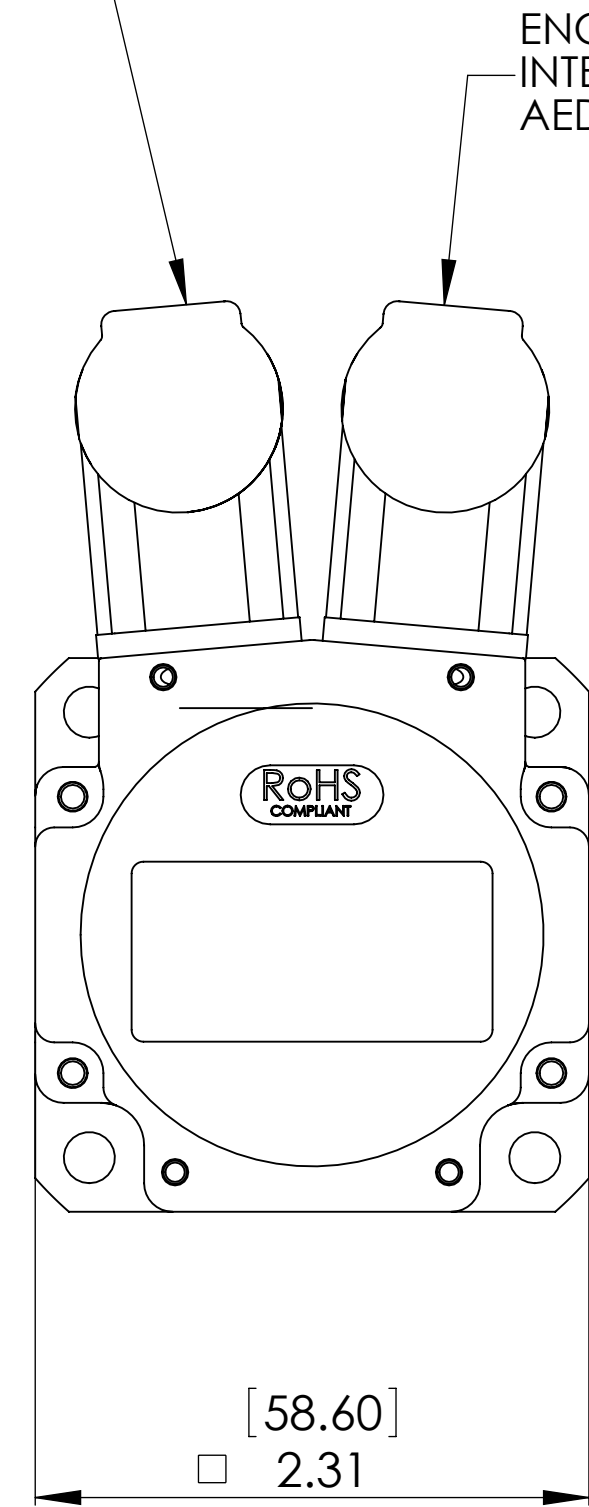
ENCODER CONN WIRING	
FROM	TO PIN
OUTPUT B	1
OUTPUT B'	2
OUTPUT A	3
OUTPUT A'	4
OUTPUT Z	5
OUTPUT Z'	6
COMMON	7
+ 5 VDC	10
CASE GROUND	11
OUTPUT U (H3)	15
OUTPUT V(H2)	16
OUTPUT W(H1)	17

MOTOR CONN. WIRING CODE	
FROM	TO PIN
MOTOR M1	1
MOTOR M2	2
MOTOR M3	3
CASE	

ENCODER CABLE SHIELD IS NOT CONNECTED AT MOTOR END

MOTOR CONNECTOR
INTER CONTEC P/N:
BEDC-894-NN-00-00-004A-000

ENCODER CONNECTOR
INTER CONTEC P/N:
AEDC-874-NN-00-00-002A-000



Ø0.213 [5.41] THRU (4) HOLES
90° APART ON A Ø2.625 [66.675] B.C.

NOTES:

1. ROTATION: CLOCKWISE MOTOR ROTATION VIEWING DRIVE END OCCURS WHEN PHASE A LEADS PHASE B, PHASE B LEADS PHASE C.

Model #	Part #	DIM "L" (in)	DIM "L" (mm)
T0601	33011-009	4.4	112
T0602	33011-010	5.2	131
T0603	33011-011	5.9	150
T0604	33011-012	6.7	169

DIMENSIONS IN BRACKETS [DUAL] ARE IN MILLIMETERS

<p>NOTICE Information contained herein is the sole property of MTI Torque Systems, Inc. This may not be reproduced, copied, or copied in any manner in part or whole without the written permission by MTI Torque Systems, Inc.</p>		<p>APPLICATION NEXT ASSY USED ON 58mm</p>		<p>MonteVideo Technology, Inc. (MTI) A Motor And Control Company TORQUE SYSTEMS</p>
<p>THIRD ANGLE PROJECTION</p>		<p>DRAWN: T. MEZHER 8/9/05 CHECKED: F.M.R. 8/12/05 APPROVED:</p>		
<p>FINISH: N/A</p>		<p>SCALE: 1:1</p>		<p>TITLE: OUTLINE 60 mm 3/8" NEMA23 W/ENC, CONNECTORS & FLAT</p>
<p>DATE: 8/12/05</p>		<p>DWG. NO.: 33011-009-012</p>		<p>REV. A</p>

CAD FILE: 33011-009-012.SLDDRW