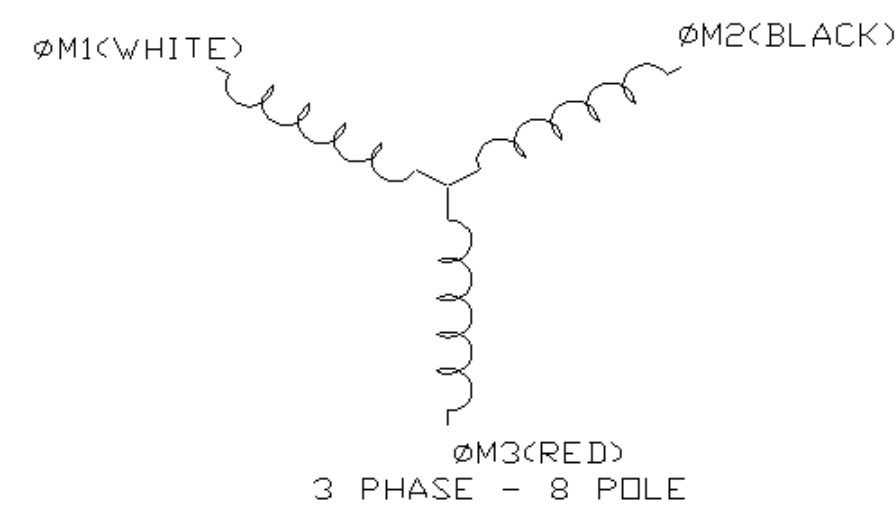
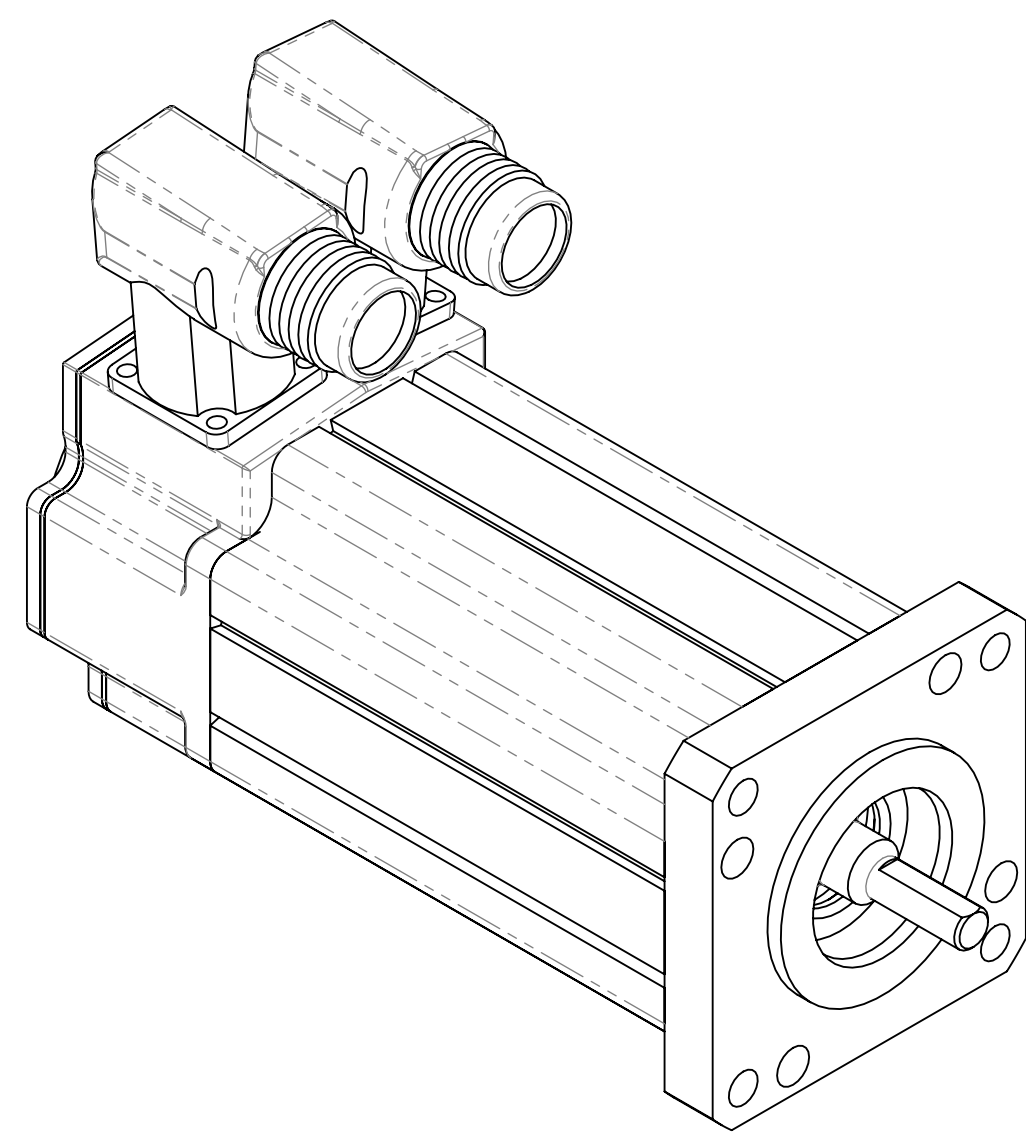
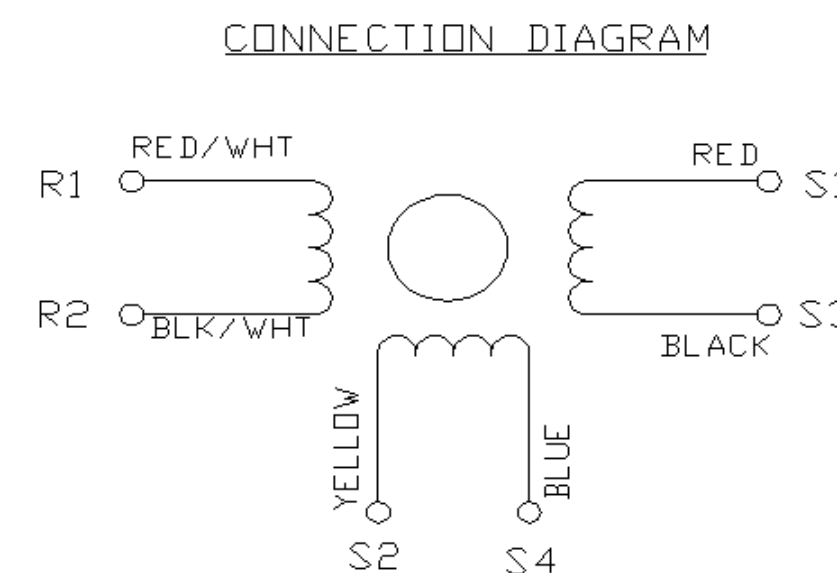
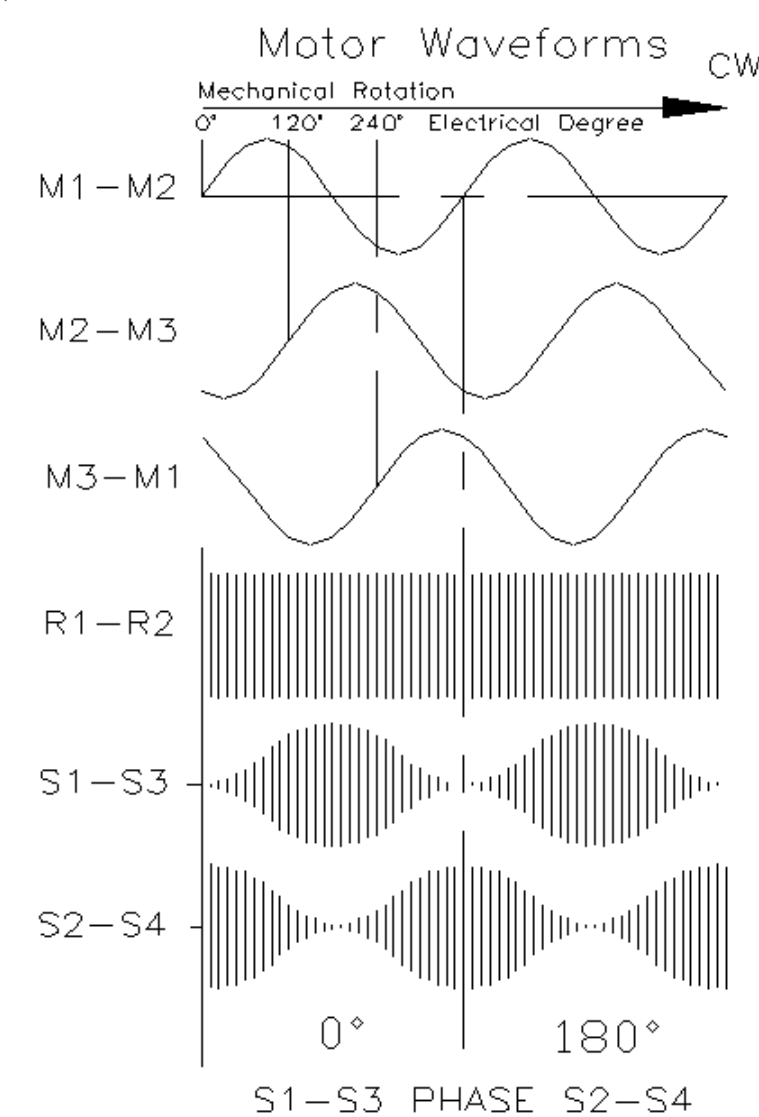


REV	ECN	DESCRIPTION	DATE	APPD
A	DR8902	RELEASED	10/01/08	RAL



Clockwise rotation, viewed from the motor shaft, results in these waveforms.

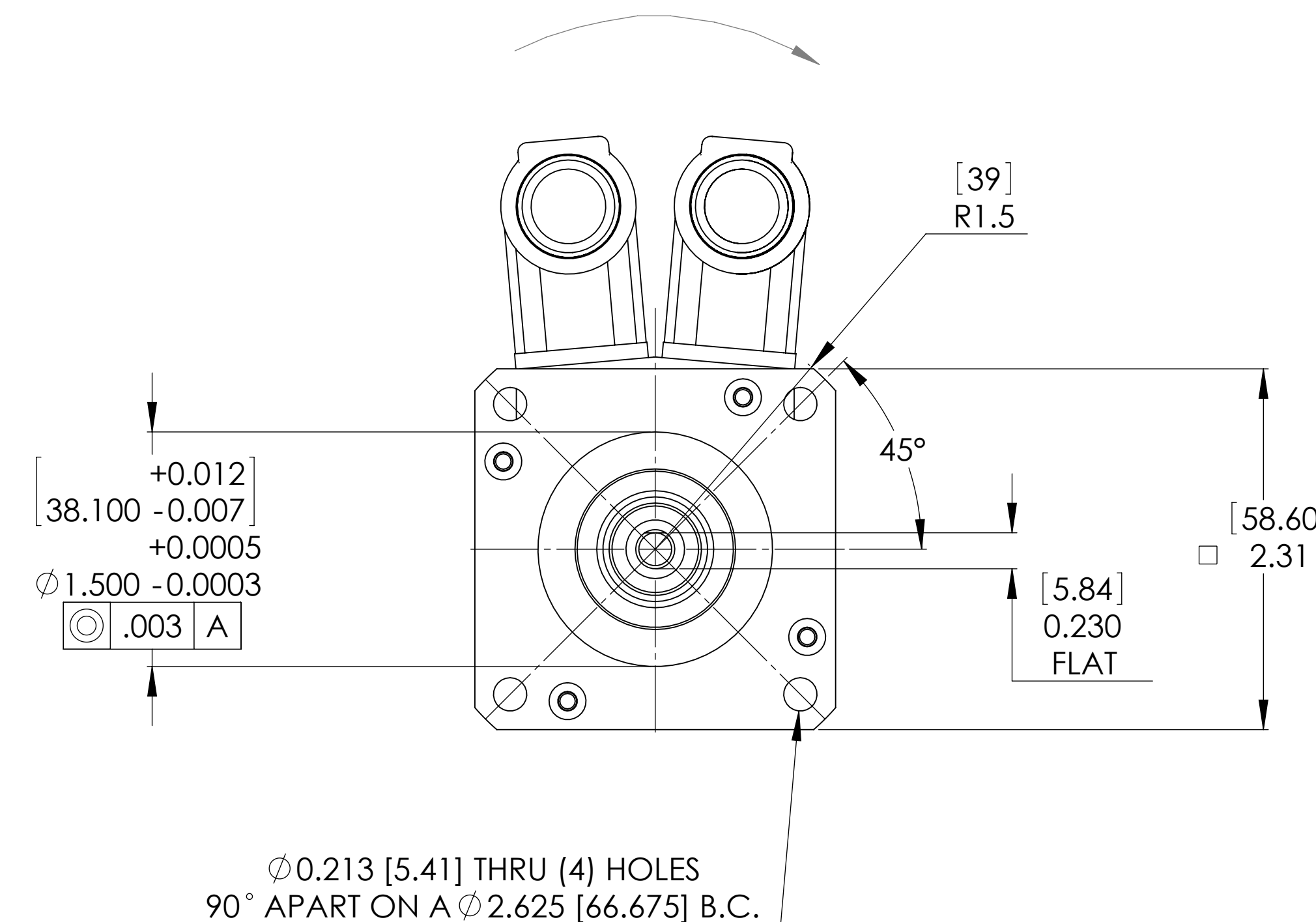
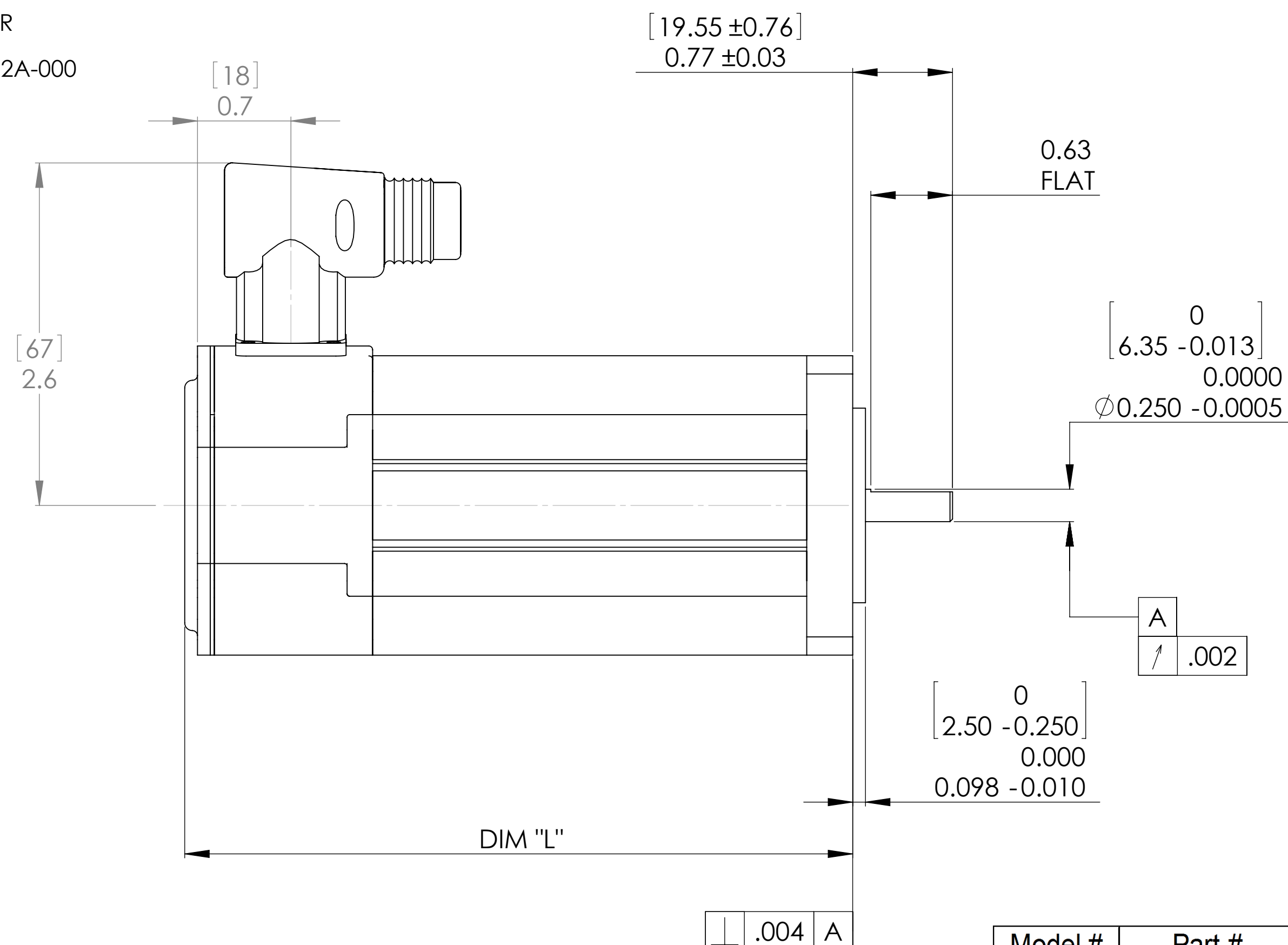
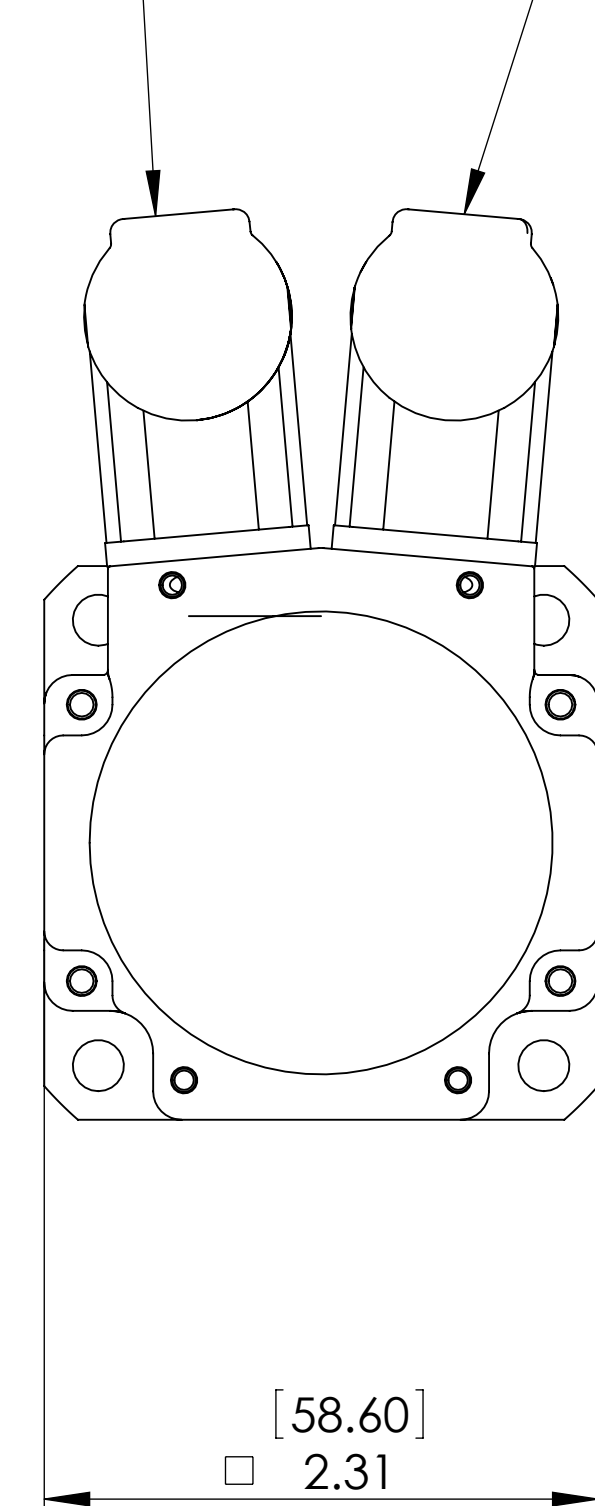


RESOLVER CONN. WIRING	
FROM	TO PIN
S4	3
S3	4
R2	5
S2	7
S1	8
R1	9

MOTOR CONN. WIRING CODE	
FROM	TO PIN
MOTOR M1	1
MOTOR M3	3
MOTOR M2	4
CASE	

MOTOR CONNECTOR  
INTER CONTEC P/N:  
BEDC-894-NN-00-00-004A-000

RESOLVER CONNECTOR  
INTER CONTEC P/N:  
AEDC-874-NN-00-00-002A-000



NOTES:

1. ROTATION: CLOCKWISE MOTOR ROTATION VIEWING DRIVE END OCCURS WHEN PHASE A LEADS PHASE B, PHASE B LEADS PHASE C.

Model #	Part #	DIM "L" (in)	DIM "L" (mm)
T0601	33011-017	4.4	112
T0602	33011-018	5.2	131
T0603	33011-019	5.9	150
T0604	33011-020	6.7	169

DIMENSIONS IN BRACKETS [DUAL] ARE IN MILLIMETERS

<p>Dimensions in INCHES MILLIMETER dimensions in [brackets] when used. All dimensions apply unless otherwise specified. Reference to Sharp Edges. Interpret dimensions and tolerances per ASME Y14.5M-1994.</p> <p><b>NOTICE</b> Information contained herein is the sole property of MTI Torque Systems, Inc. This may not be reproduced, copied, or copied in any manner in part or whole without the written permission by MTI Torque Systems, Inc.</p>		<p>APPLICATION NEXT ASSY USED ON 60mm</p>		<p>MonteVideo Technology, Inc. (MTI) A Motor And Control Company <b>TORQUE SYSTEMS</b></p>
<p>DATE: 8/9/05 DRAWN: T. MEZHER CHECKED: F.M.R. APPROVED:</p>		<p>DATE: 8/9/05 DRAWN: T. MEZHER CHECKED: F.M.R. APPROVED:</p>		
<p>THIRD ANGLE PROJECTION</p>		<p>FINISH: N/A</p>		<p>SCALE: 1:1</p>

OUTLINE 60 mm 1/4" NEMA23 W/RES, CONNECTORS & FLAT

SHEET 1 OF 1