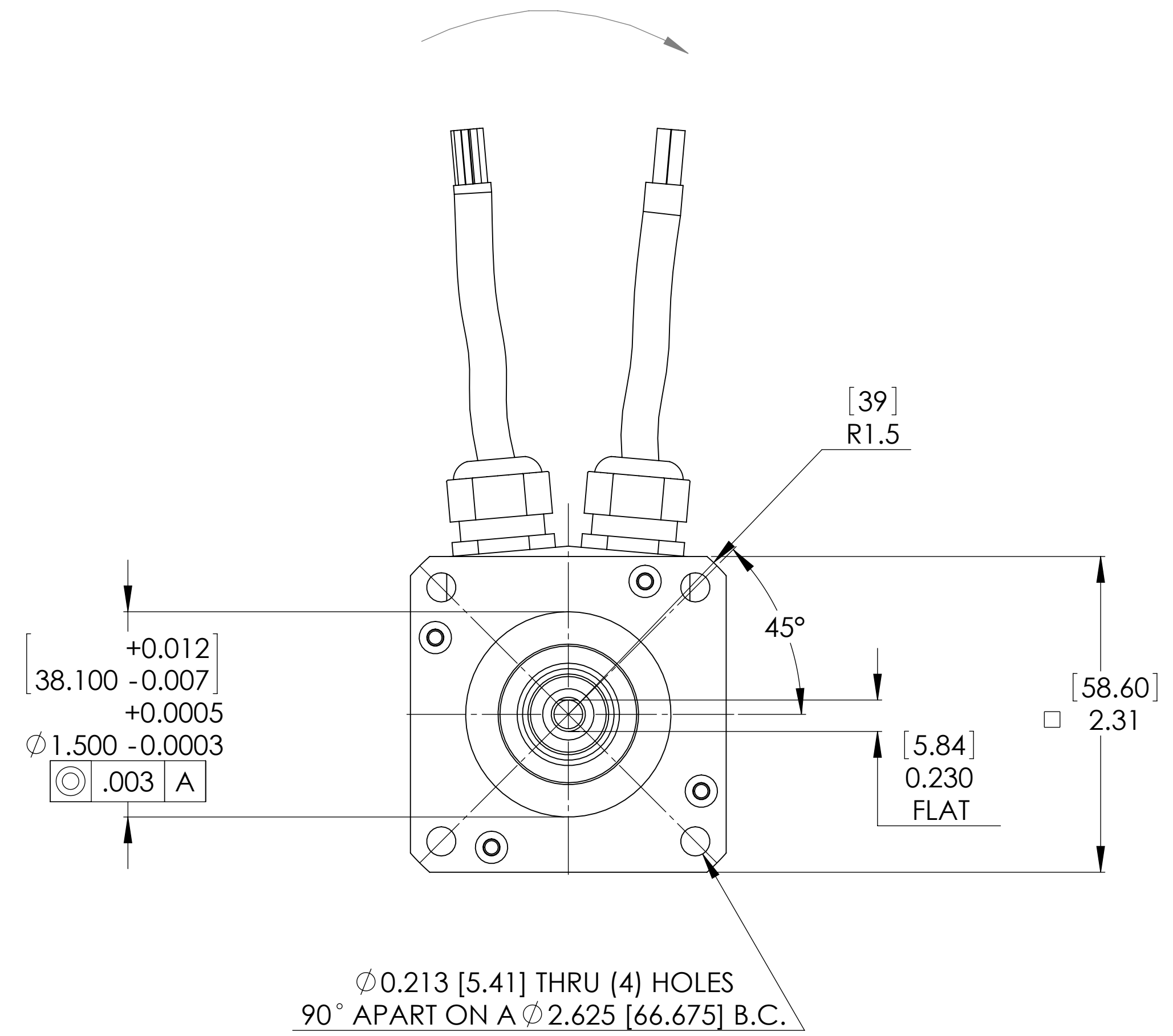
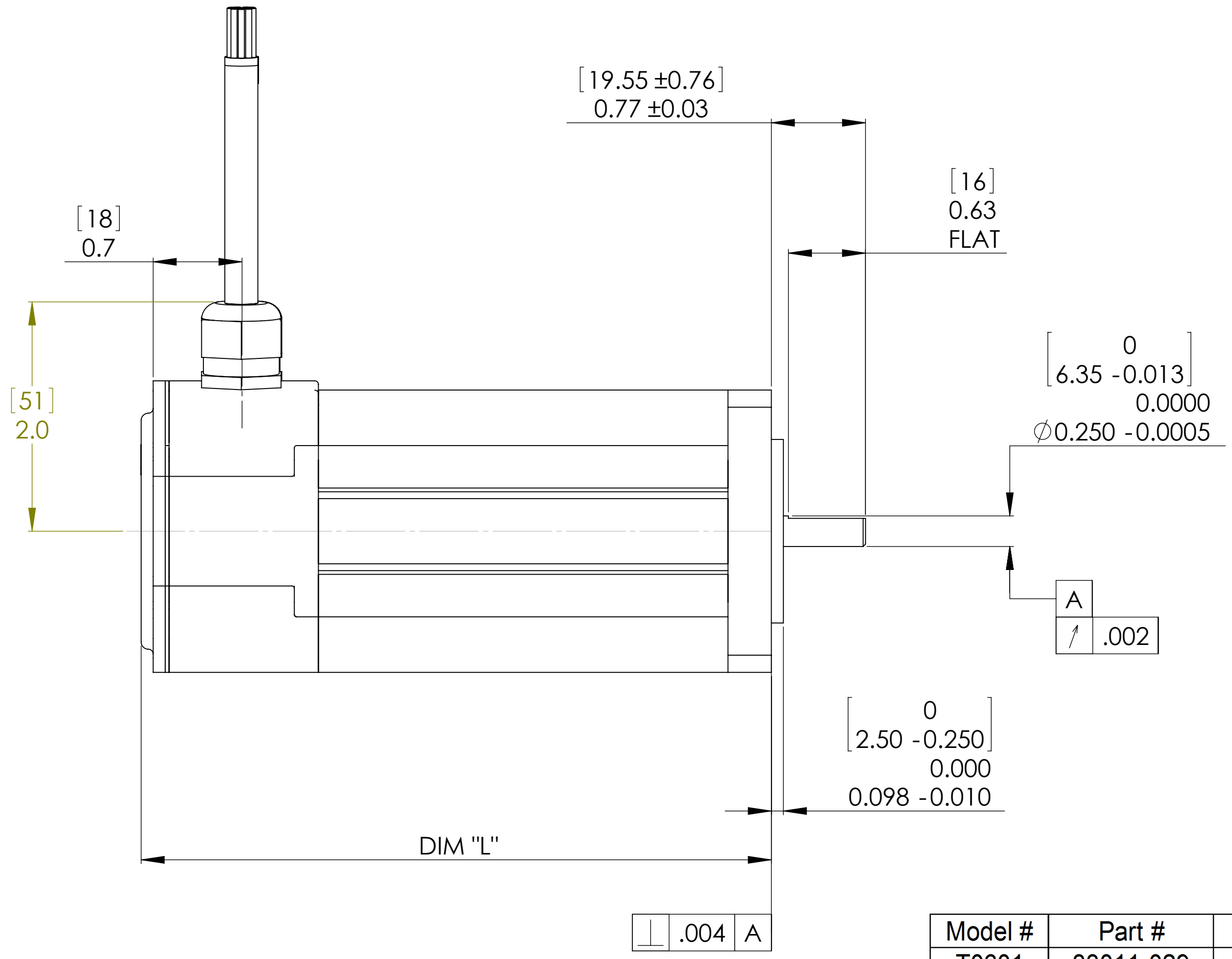
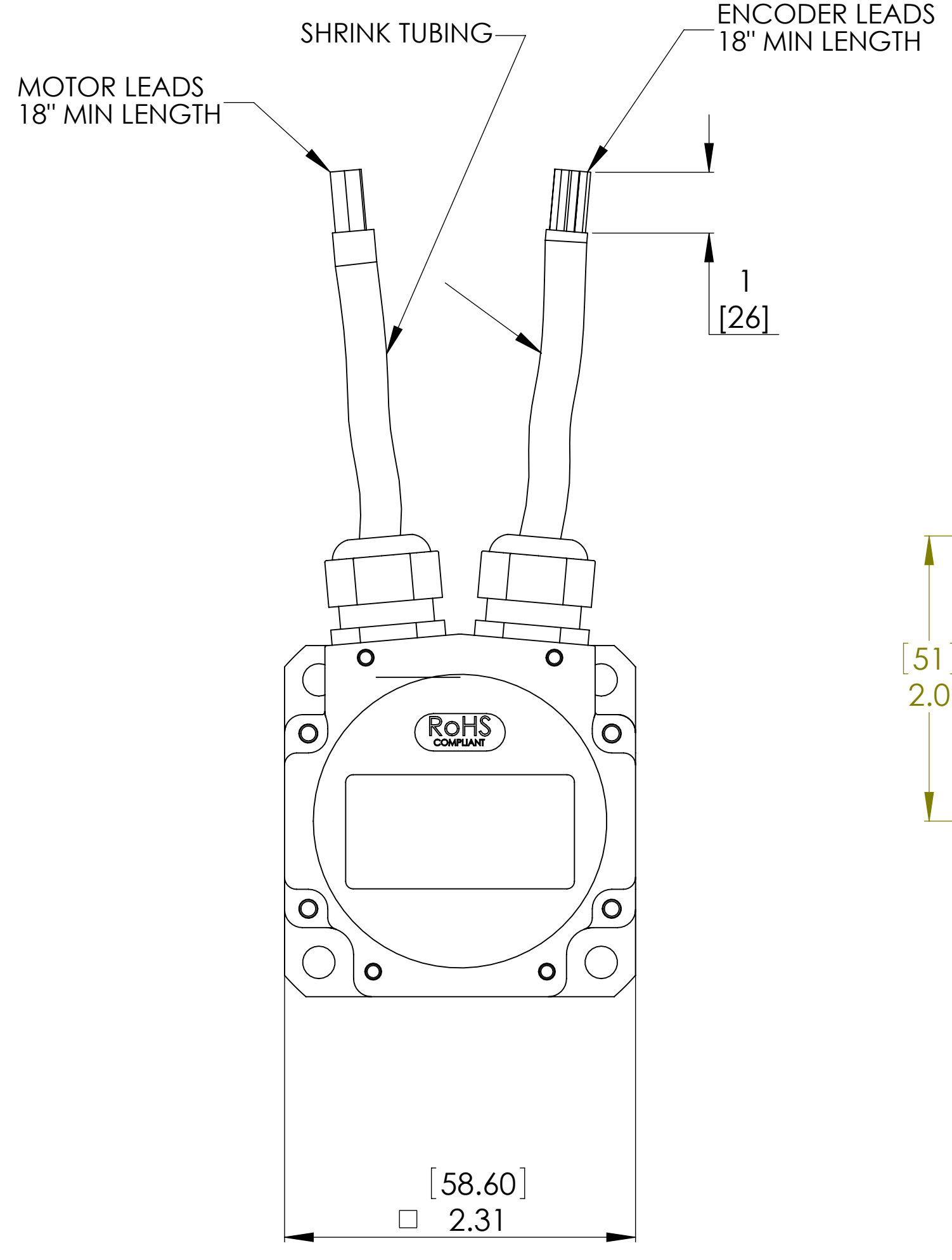
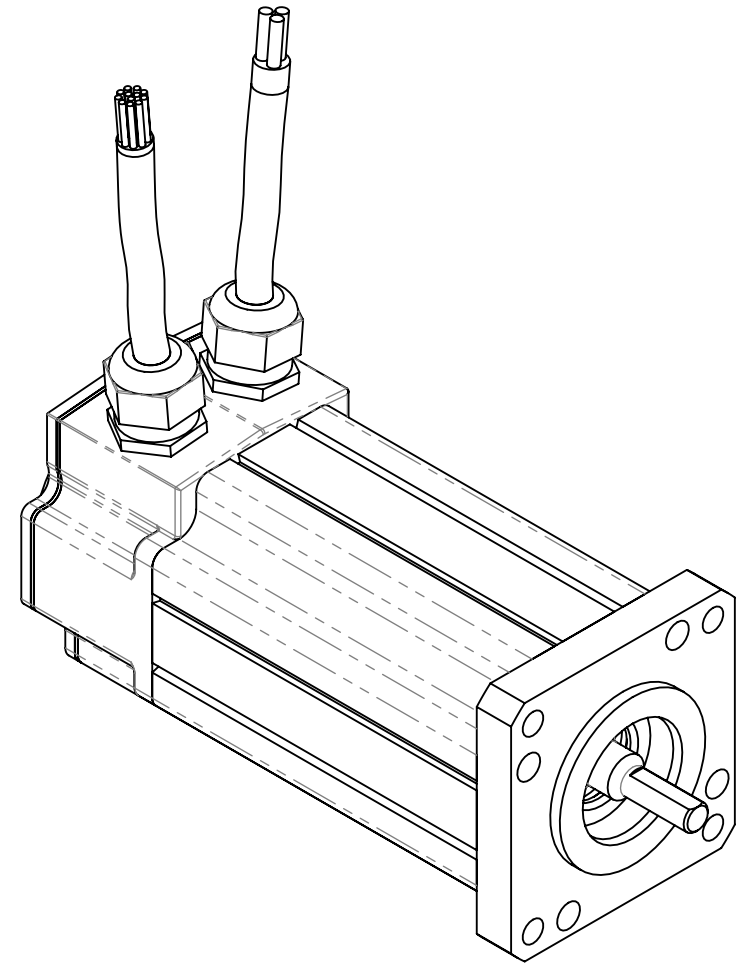
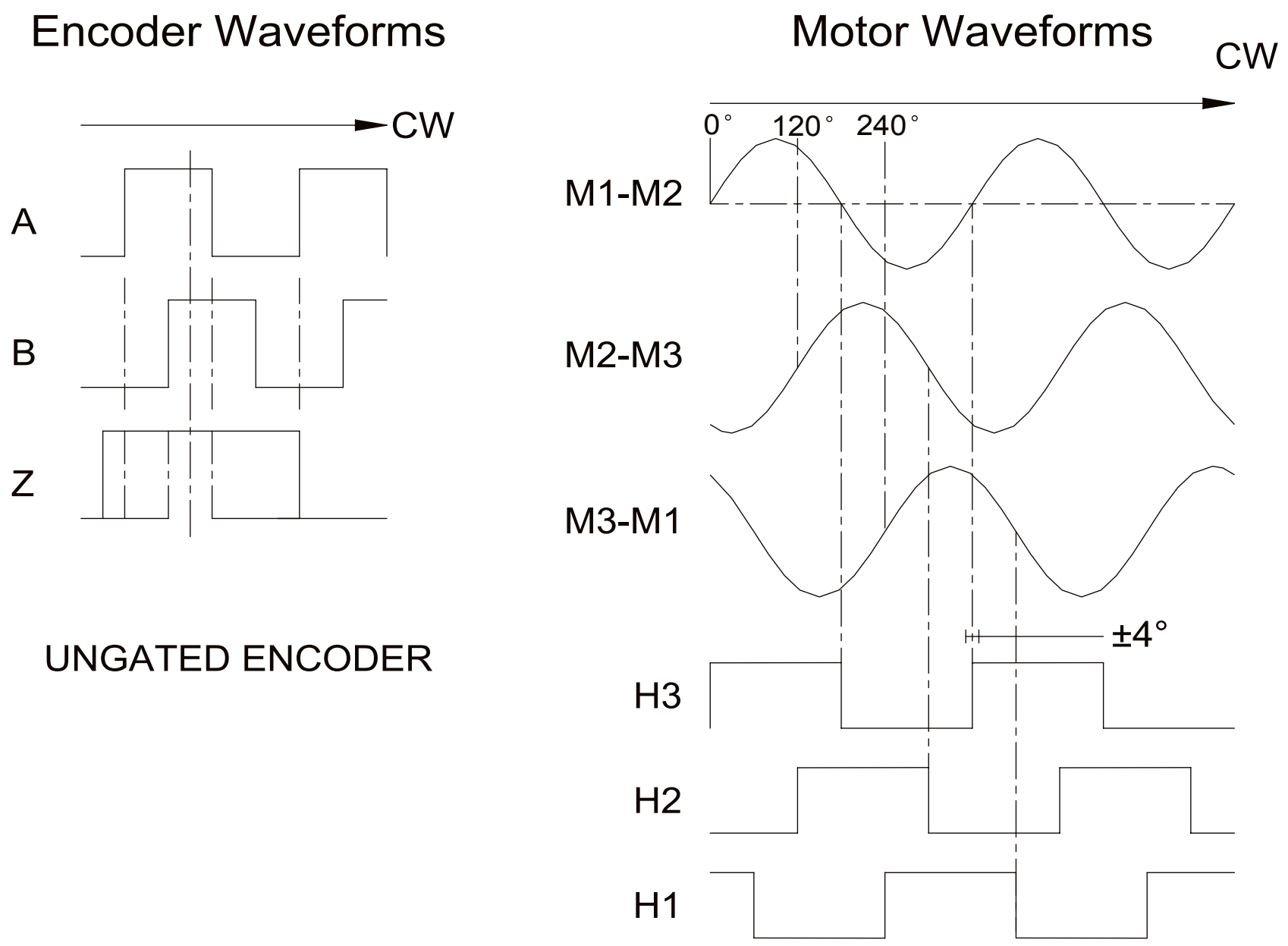


REVISIONS				
REV	ECN	DESCRIPTION	DATE	APP'D
A	DR8040	RELEASED	1/3/06	T.M.
B	ECN2624	ENCODER WIRE CODE CHANGED	1/23/006	T.M.

MOTOR CABLE WIRING CODE		
FROM	WIRE COLOR	WIRE SIZE
MOTOR M1	WHITE	# 20 AWG
MOTOR M3	RED	# 20 AWG
MOTOR M2	BLACK	# 20 AWG
CASE	GREEN	# 20 AWG

ENCODER CABLE WIRING CODE		
FROM	WIRE COLOR	WIRE SIZE
OUTPUT A	BROWN	# 28 AWG.
OUTPUT A'	WHITE	# 28 AWG.
OUTPUT B	BLUE	# 28 AWG.
OUTPUT B'	GREEN	# 28 AWG.
OUTPUT Z	ORANGE	# 28 AWG.
OUTPUT Z'	YELLOW	# 28 AWG.
OUTPUT U (H3)	VIOLET	# 28 AWG.
OUTPUT V (H2)	BROWN/WHITE	# 28 AWG.
OUTPUT W (H1)	ORANGE/WHITE	# 28 AWG.
CASE GROUND	BLACK WHITE	# 28 AWG.
CABLE SHIELD	DRAIN	# 28 AWG.
+ 5 VDC	RED	# 28 AWG.
COMMON	BLACK	# 28 AWG.

Clockwise rotation, viewed from the motor shaft, results in these waveforms.



Model #	Part #	DIM "L" (in)	DIM "L" (mm)
T0601	33011-029	4.4	112
T0602	33011-030	5.2	131
T0603	33011-031	5.9	150
T0604	33011-032	6.7	169

NOTES:  
1. ROTATION: CLOCKWISE MOTOR ROTATION VIEWING DRIVE END OCCURS WHEN PHASE A LEADS PHASE B, PHASE B LEADS PHASE C.

**NOTICE**  
Information contained herein is the sole property of MTI Torque Systems, Inc. This may not be reproduced, copied, or traced in any manner in part or whole without the written permission by MTI Torque Systems, Inc.

**MILLIMETERS (mm) TOLERANCES UNLESS OTHERWISE SPECIFIED**

XX	+/- 2.5
XXX	+/- 0.25
XXXX	+/- 0.100

**THIRD ANGLE PROJECTION**

**APPLICATION**

NEXT ASSY	USED ON
	60mm

**MonteVideo Technology, Inc. (MTI)**  
A Motor And Control Company  
**TORQUE SYSTEMS**

DATE: 8/9/05  
DRAWN: T. MEZHER  
CHECKED: F.M.R.  
APPROVED: 8/12/05

CAGE CODE: 54572  
DWG. NO.: 33011-029-032  
REV. B

SCALE: 1:1  
SHEET 1 OF 1