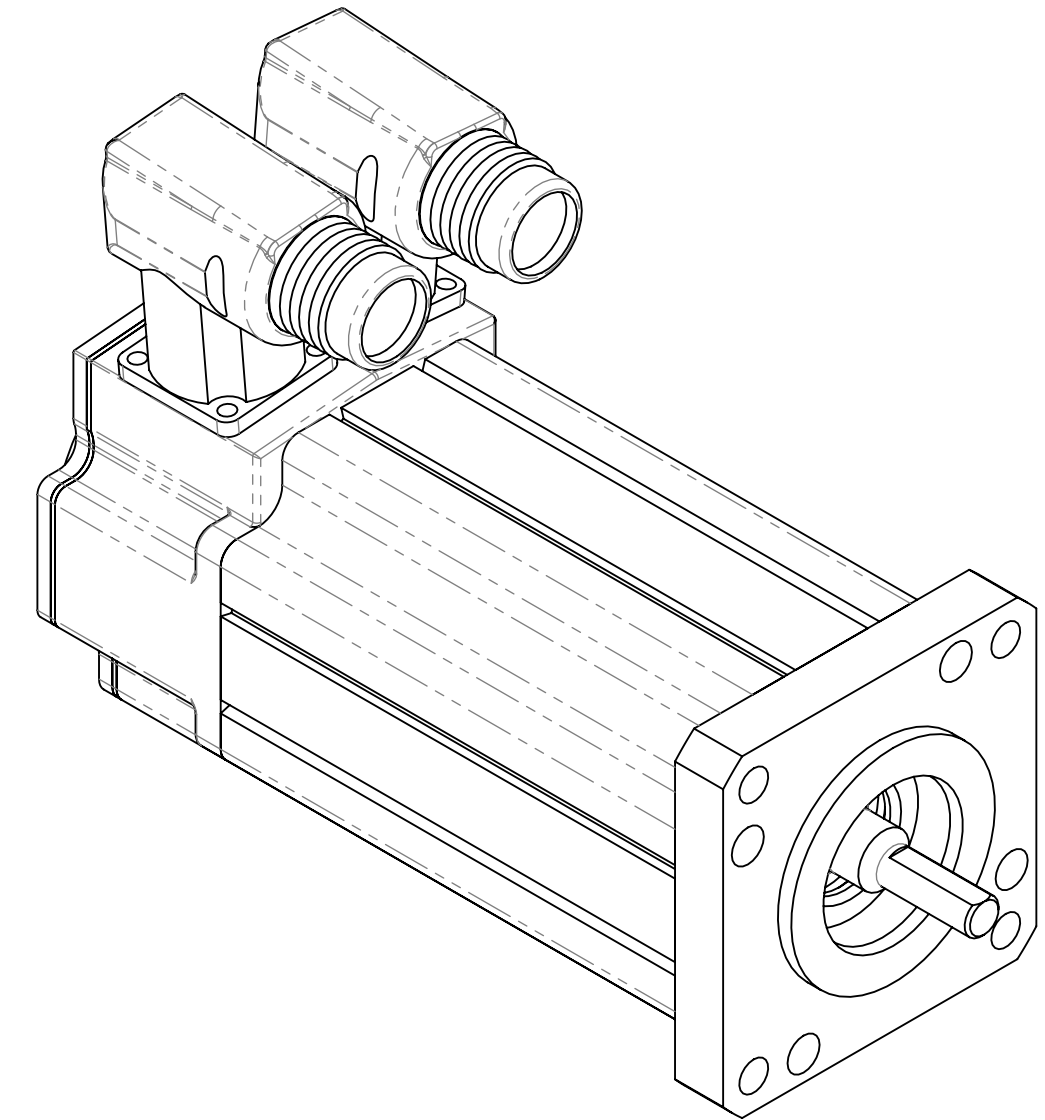
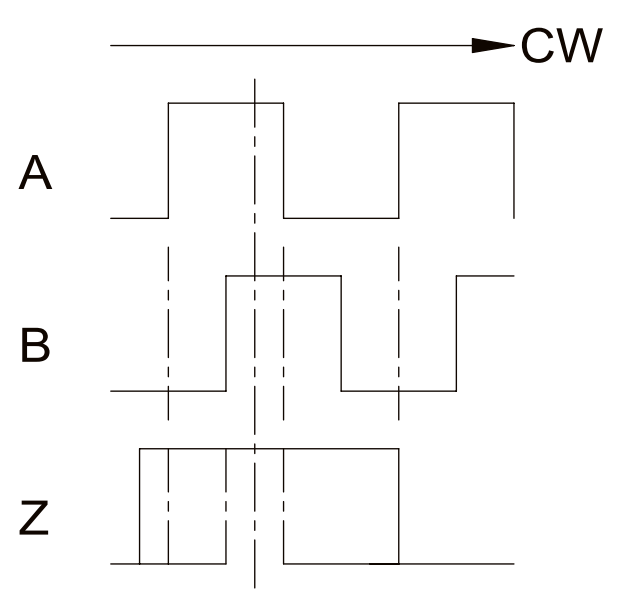


REVISIONS				
REV	ECN	DESCRIPTION	DATE	APP'D
A	DR8500	RELEASED	3/23/07	T.M.

Clockwise rotation, viewed from the motor shaft, results in these waveforms.

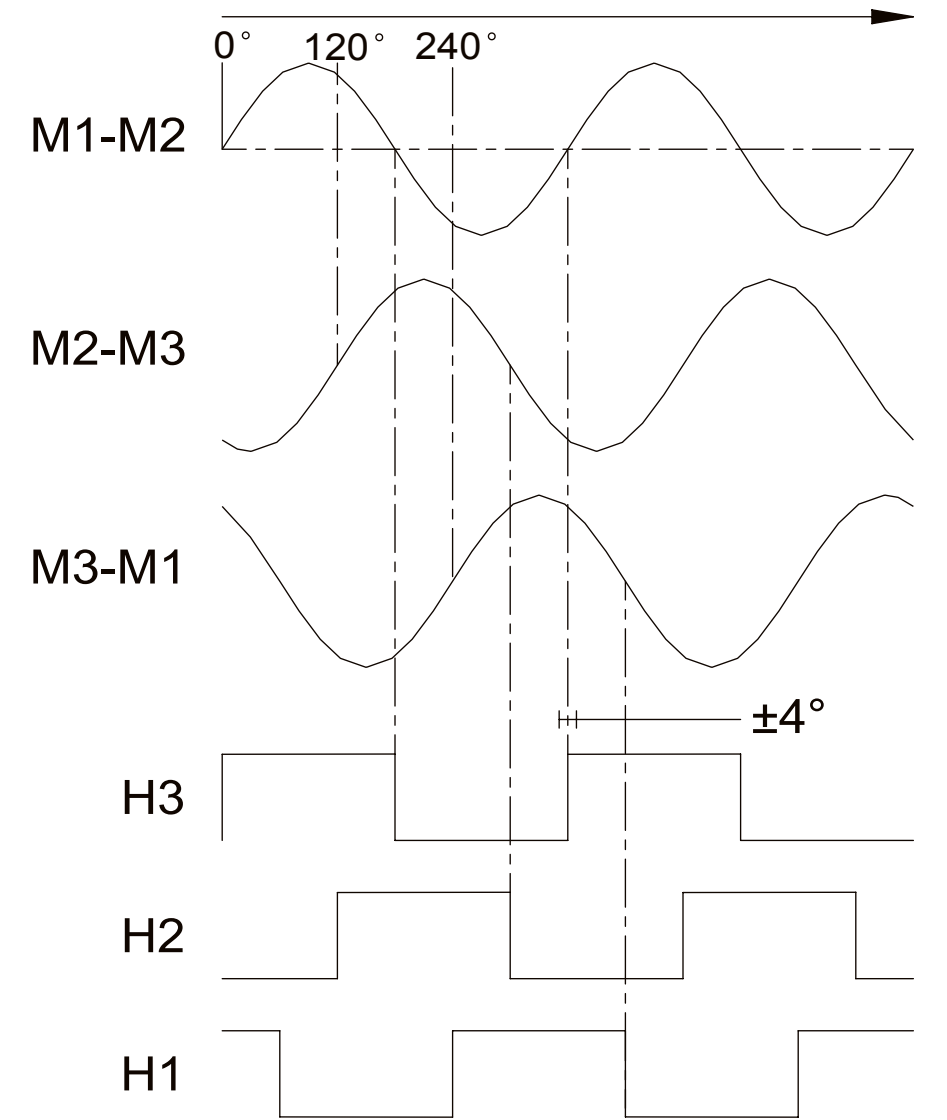


Encoder Waveforms



UNGATED ENCODER

Motor Waveforms CW



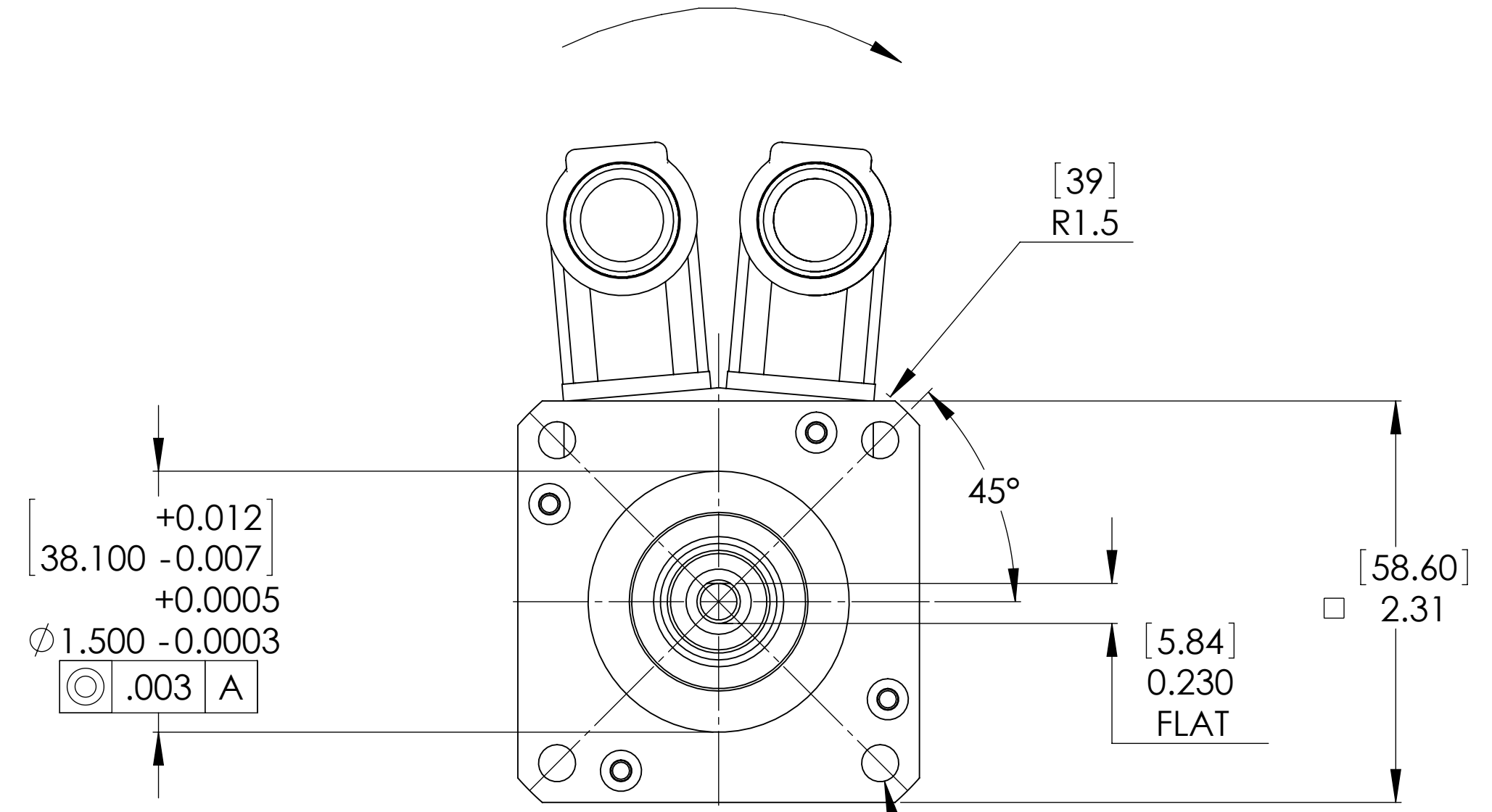
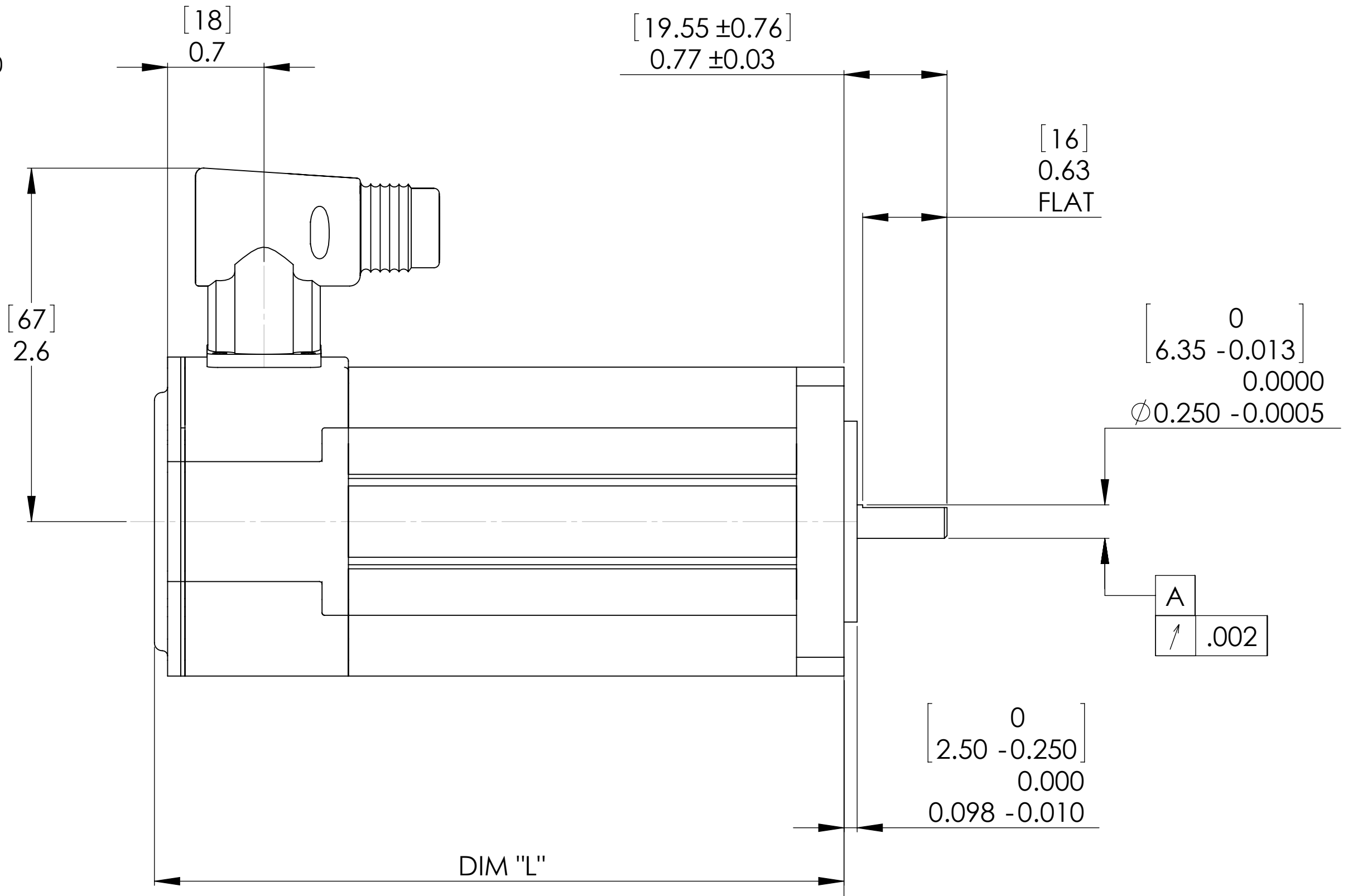
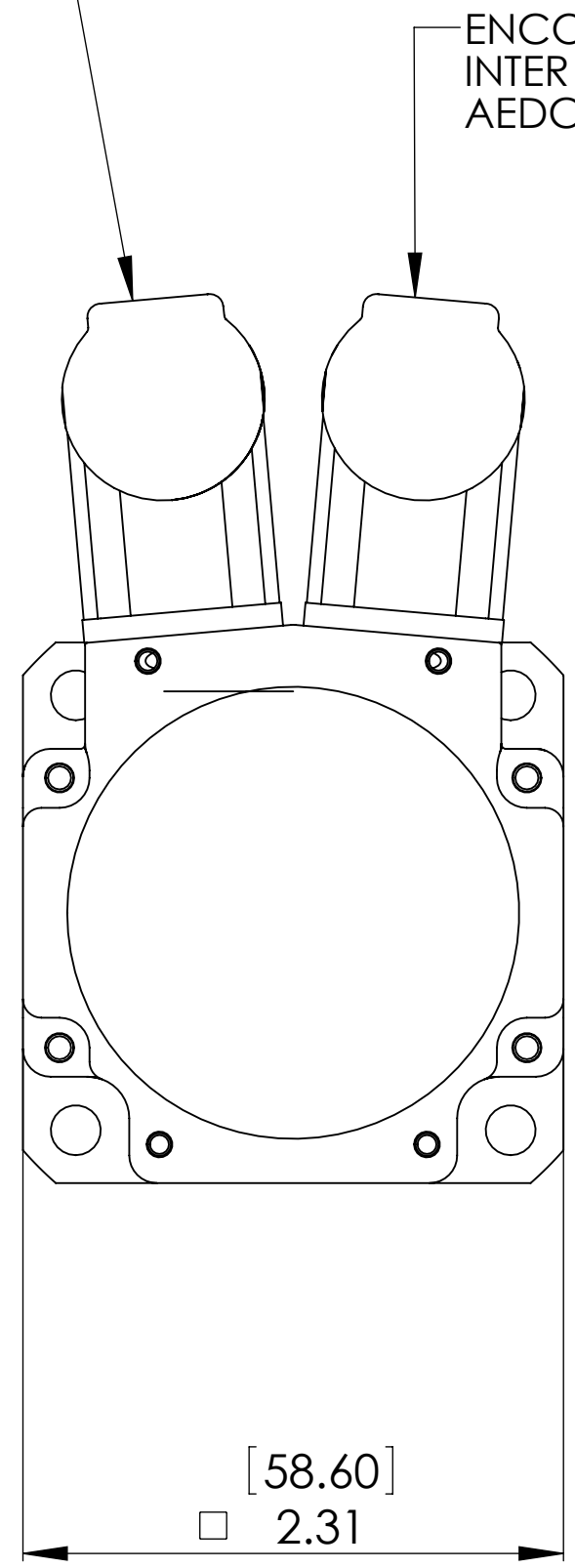
ENCODER CONN WIRING	
FROM	TO PIN
OUTPUT B	1
OUTPUT B'	2
OUTPUT A	3
OUTPUT A'	4
OUTPUT Z	5
OUTPUT Z'	6
COMMON	7
+ 5 VDC	10
CASE GROUND	11
OUTPUT U (H3)	15
OUTPUT V(H2)	16
OUTPUT W(H1)	17

ENCODER CABLE SHIELD IS NOT CONNECTED AT MOTOR END

MOTOR CONN. WIRING CODE	
FROM	TO PIN
MOTOR M1	1
MOTOR M2	2
MOTOR M3	3
CASE	

MOTOR CONNECTOR  
INTER CONTEC P/N:  
BEDC-894-NN-00-00-004A-000

ENCODER CONNECTOR  
INTER CONTEC P/N:  
AEDC-874-NN-00-00-002A-000



Ø0.213 [5.41] THRU (4) HOLES  
90° APART ON A Ø2.625 [66.675] B.C.

NOTES:

1. ROTATION: CLOCKWISE MOTOR ROTATION VIEWING DRIVE END OCCURS WHEN PHASE A LEADS PHASE B, PHASE B LEADS PHASE C.

Model #	Part #	DIM "L" (in)	DIM "L" (mm)
T0601	33011-025	4.4	112
T0602	33011-026	5.2	131
T0603	33011-027	5.9	150
T0604	33011-028	6.7	169

**DIMENSIONS IN BRACKETS [DUAL] ARE IN MILLIMETERS**

<p><b>NOTICE</b> Information contained herein is the sole property of MTI Torque Systems, Inc. This may not be reproduced, copied, or copied in any manner in part or whole without the written permission by MTI Torque Systems, Inc.</p>		<p>APPLICATION NEXT ASSY USED ON 60mm</p>	<p>MonteVideo Technology, Inc. (MTI) A Motor And Control Company <b>TORQUE SYSTEMS</b></p>
<p>FINISH: N/A THIRD ANGLE PROJECTION</p>	<p>CAGE CODE: 54572 DWG. NO.: 33011-025-028</p>	<p>DRAWN: T. MEZHER 8/9/05 CHECKED: APPROVED:</p>	<p>REV. A SHEET 1 OF 1</p>

CAD FILE: 33011-025-028.SLDDRW