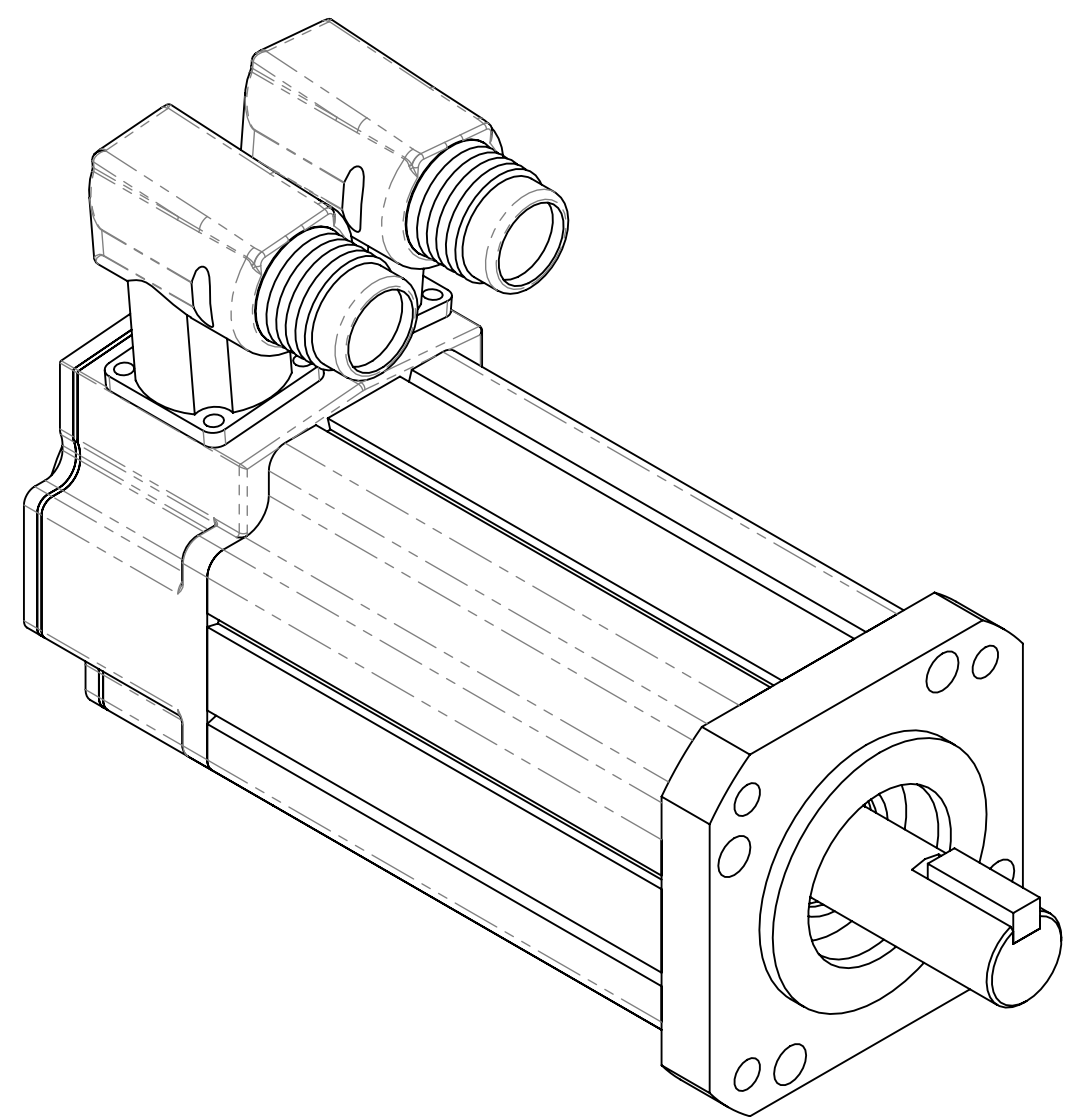
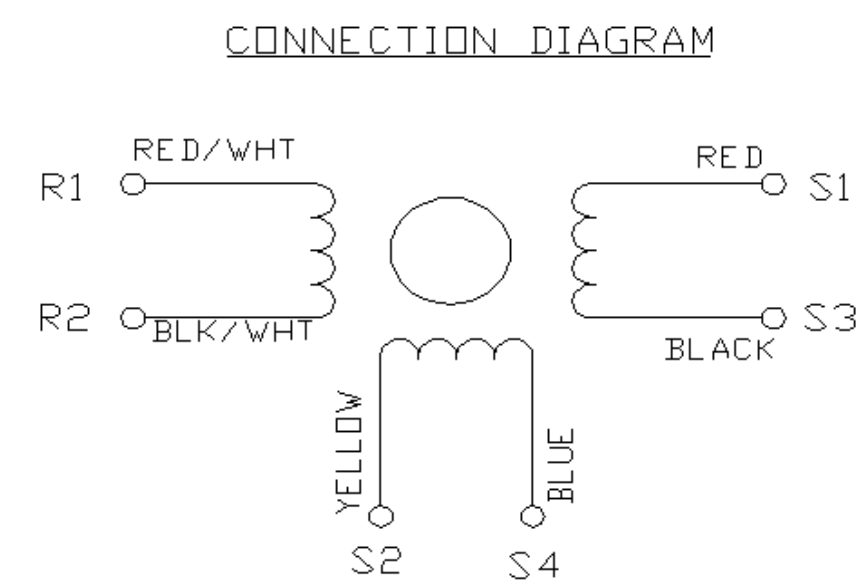
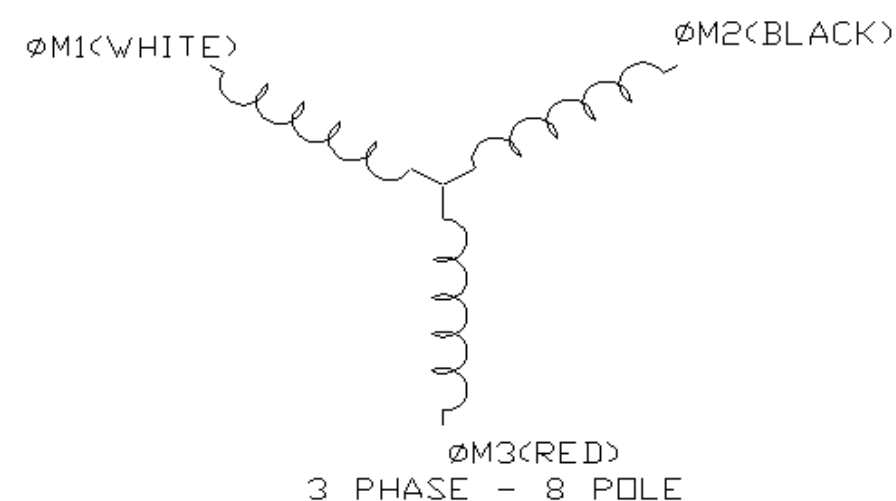
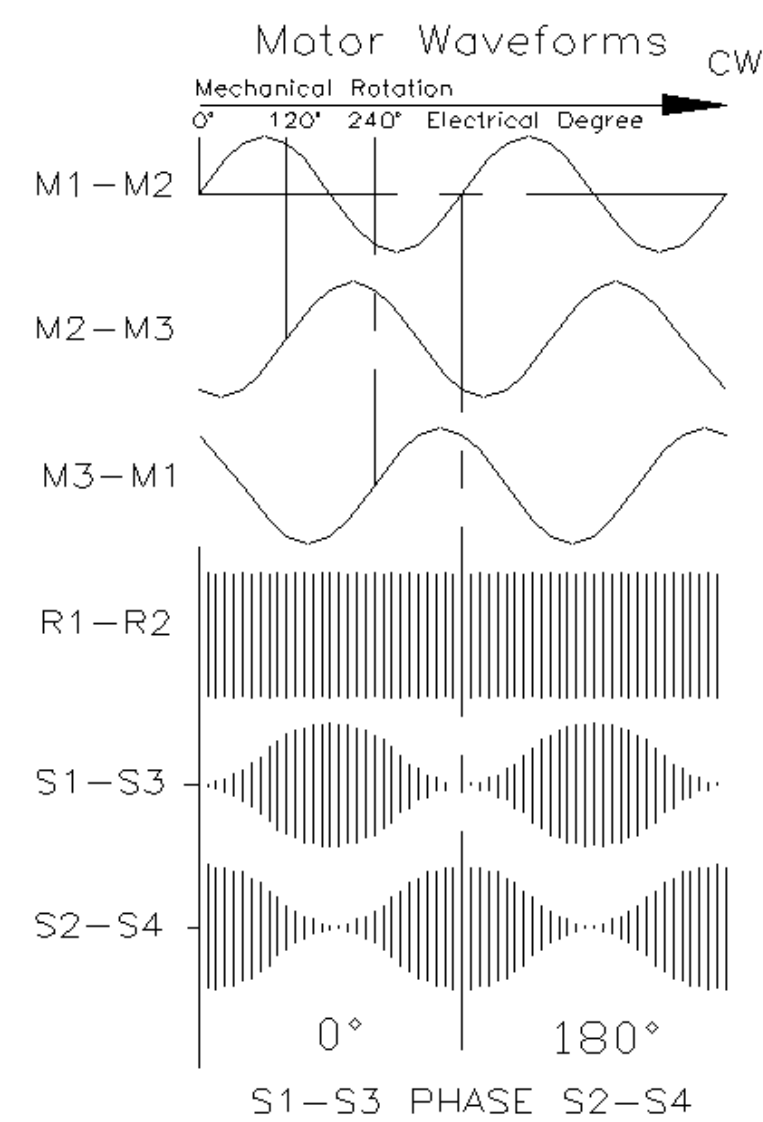


REVISIONS				
REV	ECN	DESCRIPTION	DATE	APP'D
A	DR8902	RELEASED	10/01/08	RAL

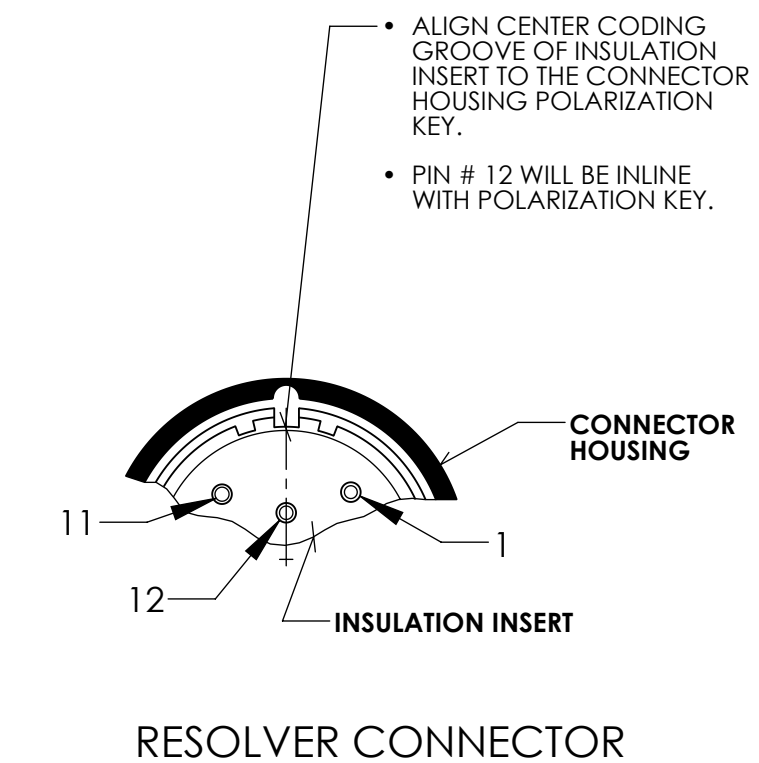


Clockwise rotation, viewed from the motor shaft, results in these waveforms.



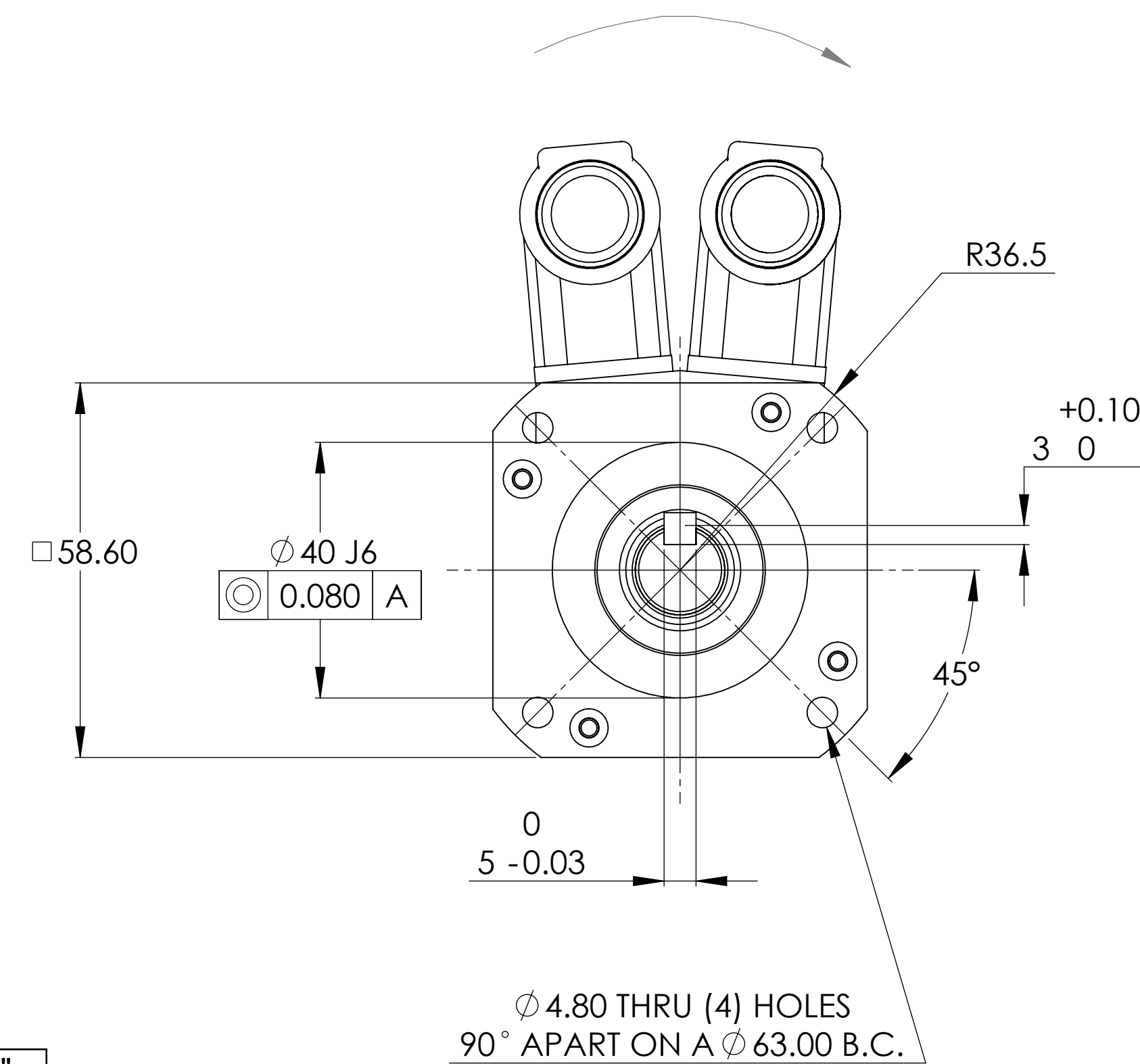
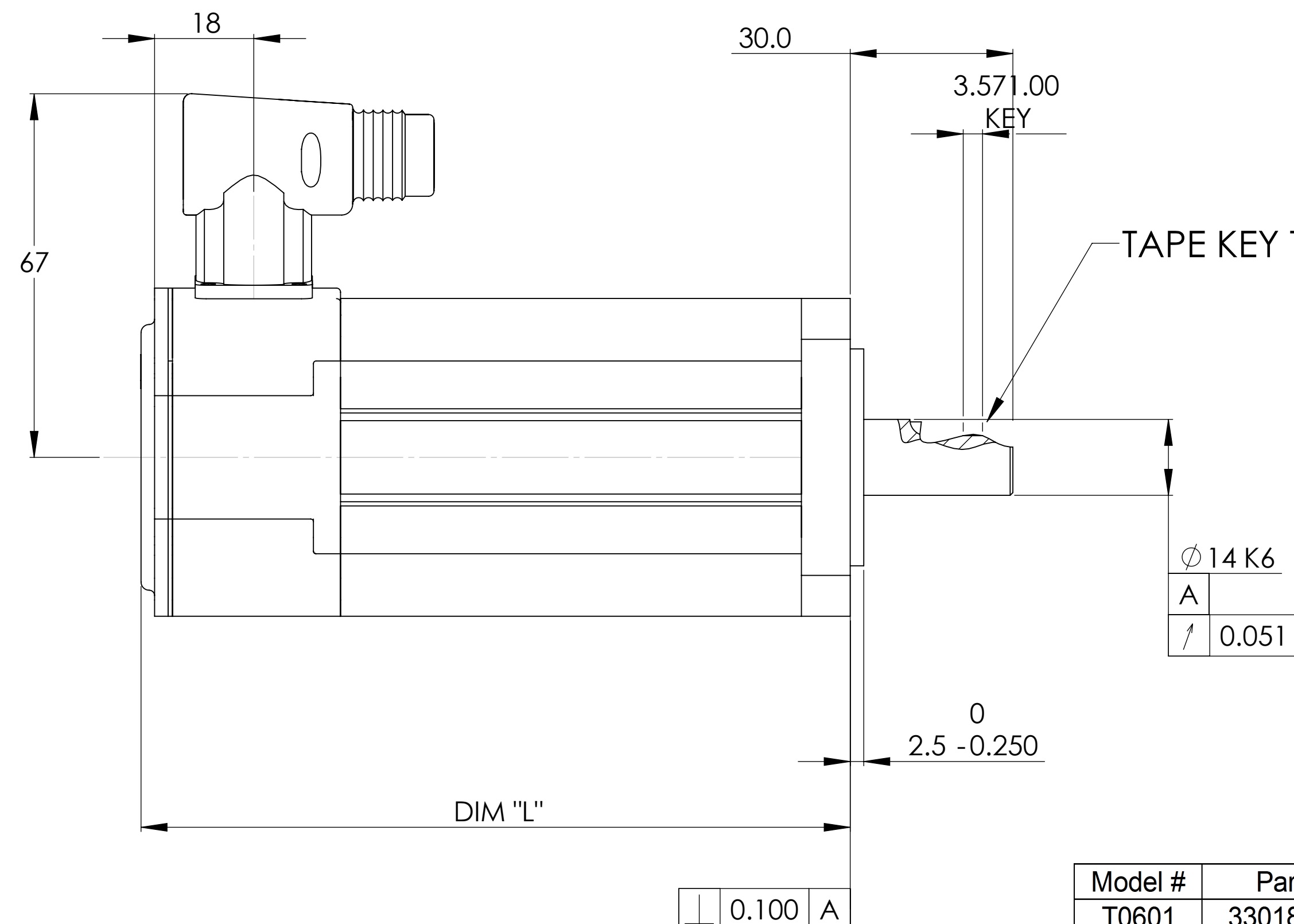
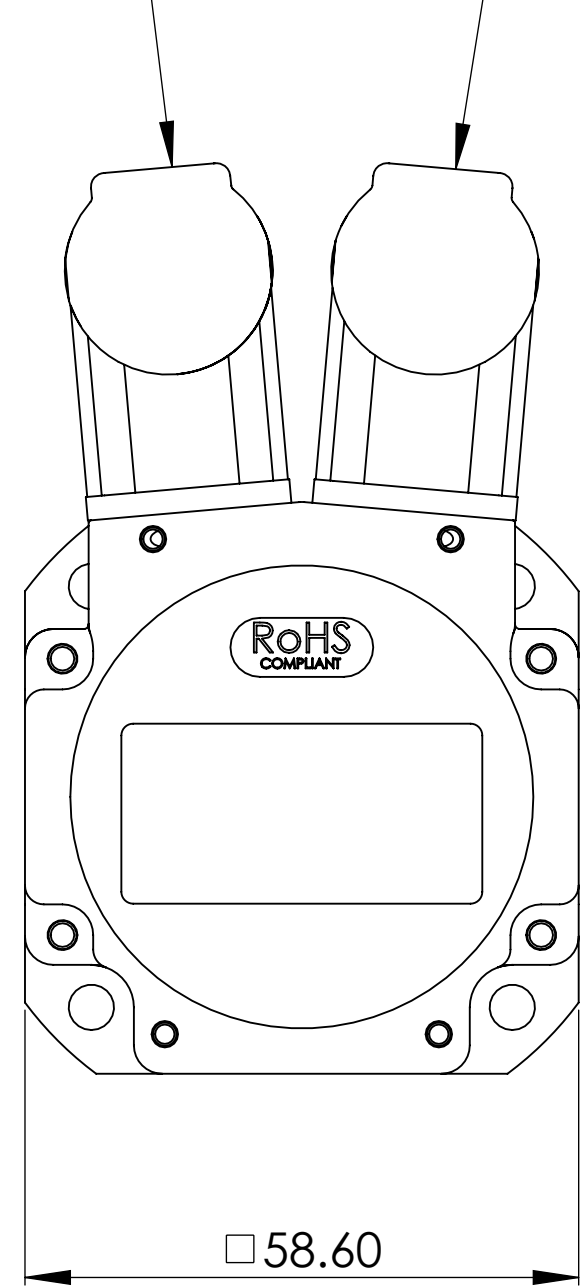
RESOLVER CONN. WIRING	
FROM	TO PIN
S4	3
S3	4
R2	5
S2	7
S1	8
R1	9

MOTOR CONN. WIRING CODE	
FROM	TO PIN
MOTOR M1	1
MOTOR M3	3
MOTOR M2	4
CASE	



MOTOR CONNECTOR  
INTER CONTEC P/N:  
BEDC-894-NN-00-00-004A-000

RESOLVER CONNECTOR  
INTER CONTEC P/N:  
AEDC-874-NN-00-00-002A-000



Model #	Part #	DIM "L"
T0601	33018-001	112
T0602	33018-002	131
T0603	33018-003	150
T0604	33018-004	169

NOTES:

1. ROTATION: CLOCKWISE MOTOR ROTATION VIEWING DRIVE END OCCURS WHEN PHASE A LEADS PHASE B, PHASE B LEADS PHASE C.

<b>NOTICE</b> <small>Information contained herein is the sole property of MTI Torque Systems, Inc. This may not be reproduced, copied, or traced in any manner in part or whole without the written permission by MTI Torque Systems, Inc.</small>	<b>MILLIMETERS (mm)</b> <small>TOLERANCES UNLESS OTHERWISE SPECIFIED</small> X ±0.25 XX ±0.25 XXX ±0.100	APPLICATION	
		NEXT ASSY	USED ON
<small>THIRD ANGLE PROJECTION</small> 	<small>ANGLES</small> ±0°-30° <small>MATERIAL</small> N/A <small>FINISH</small> N/A	<small>DRAWN</small> T. MEZHER 3/11/05 <small>CHECKED</small> F.M.R. 8/12/05 <small>APPROVED</small>	<small>SCALE</small> 1:1 <small>SHEET 1</small> OF 1

MonteVideo Technology, Inc. (MTI)  
A Motor And Control Company  
FORQUE SYSTEMS

TITLE: OUTLINE 60mm METRIC W/RESOLVER & CONNECTOR

CAGE CODE: 54572 DWG. NO.: 33018-001-004 REV. A

CAD FILE: 33018-001-004.SLDDRW