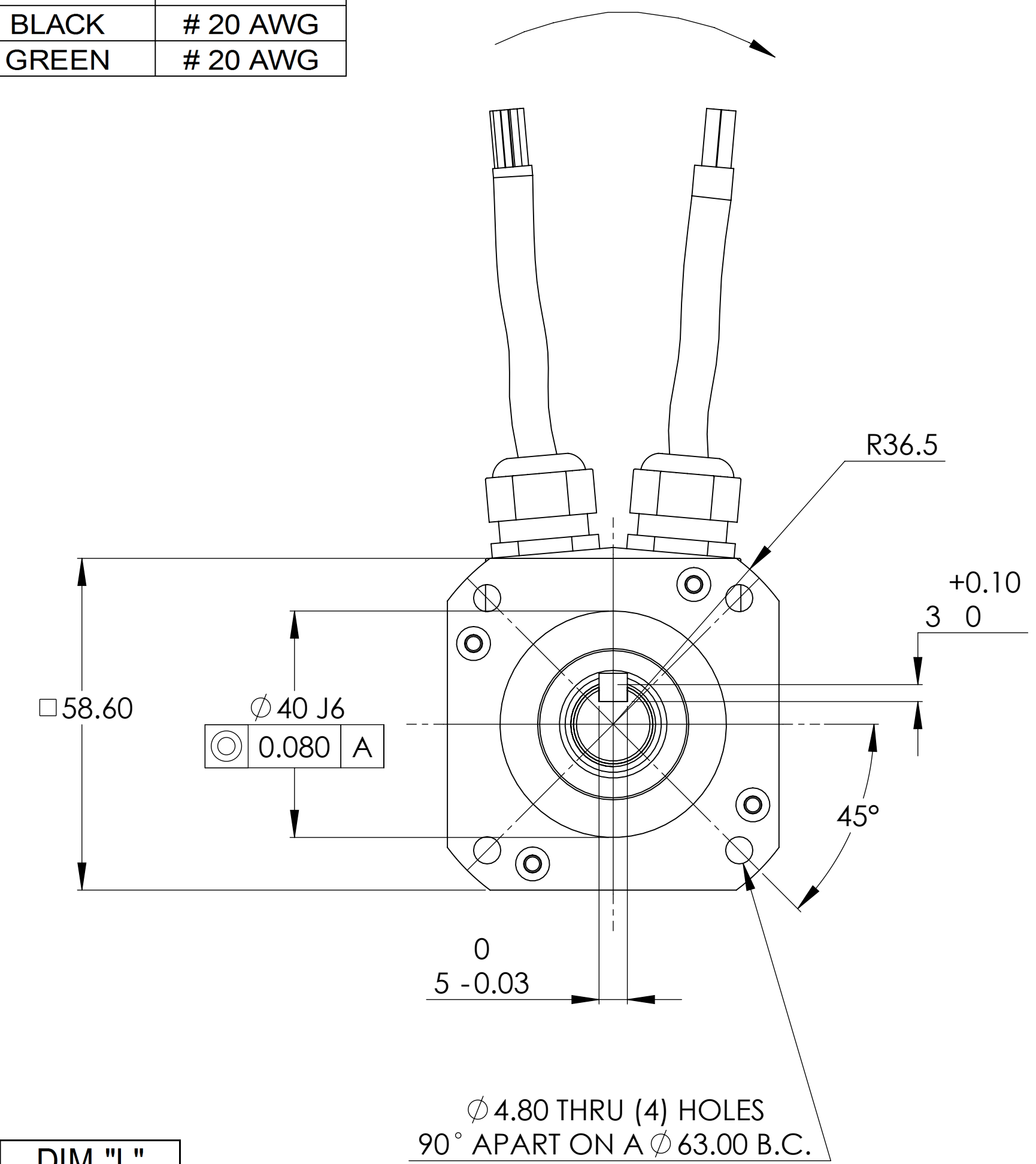
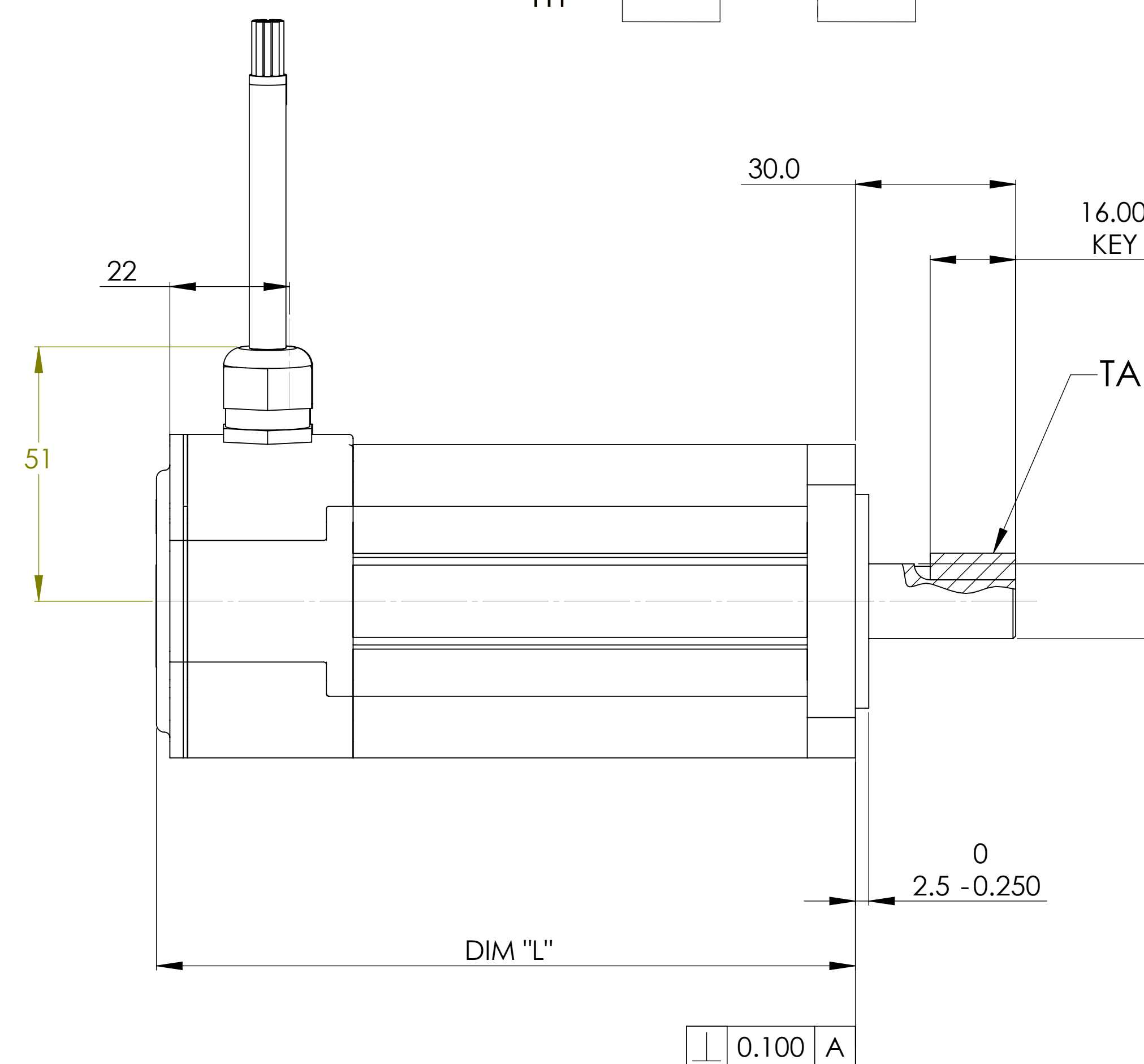
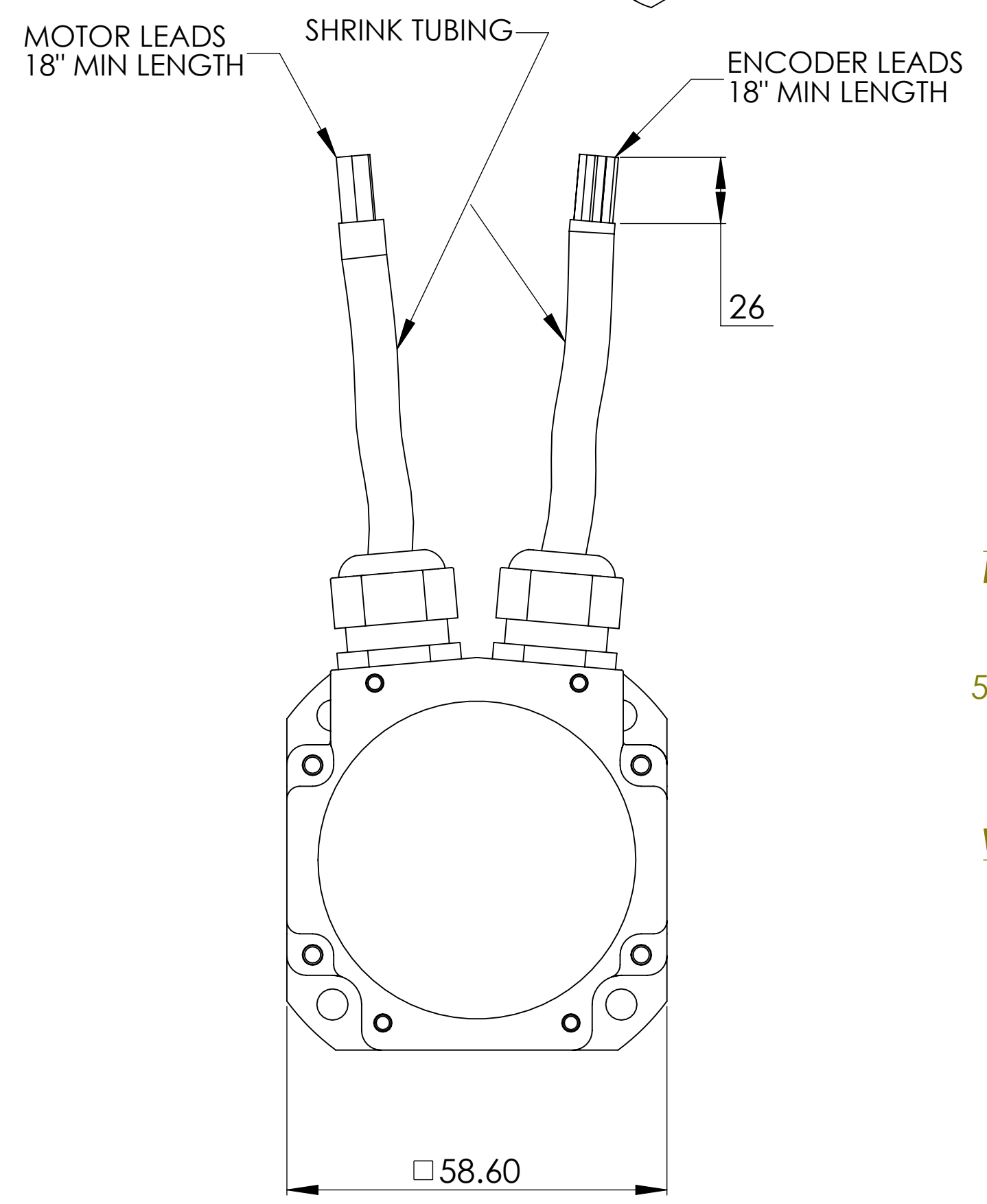
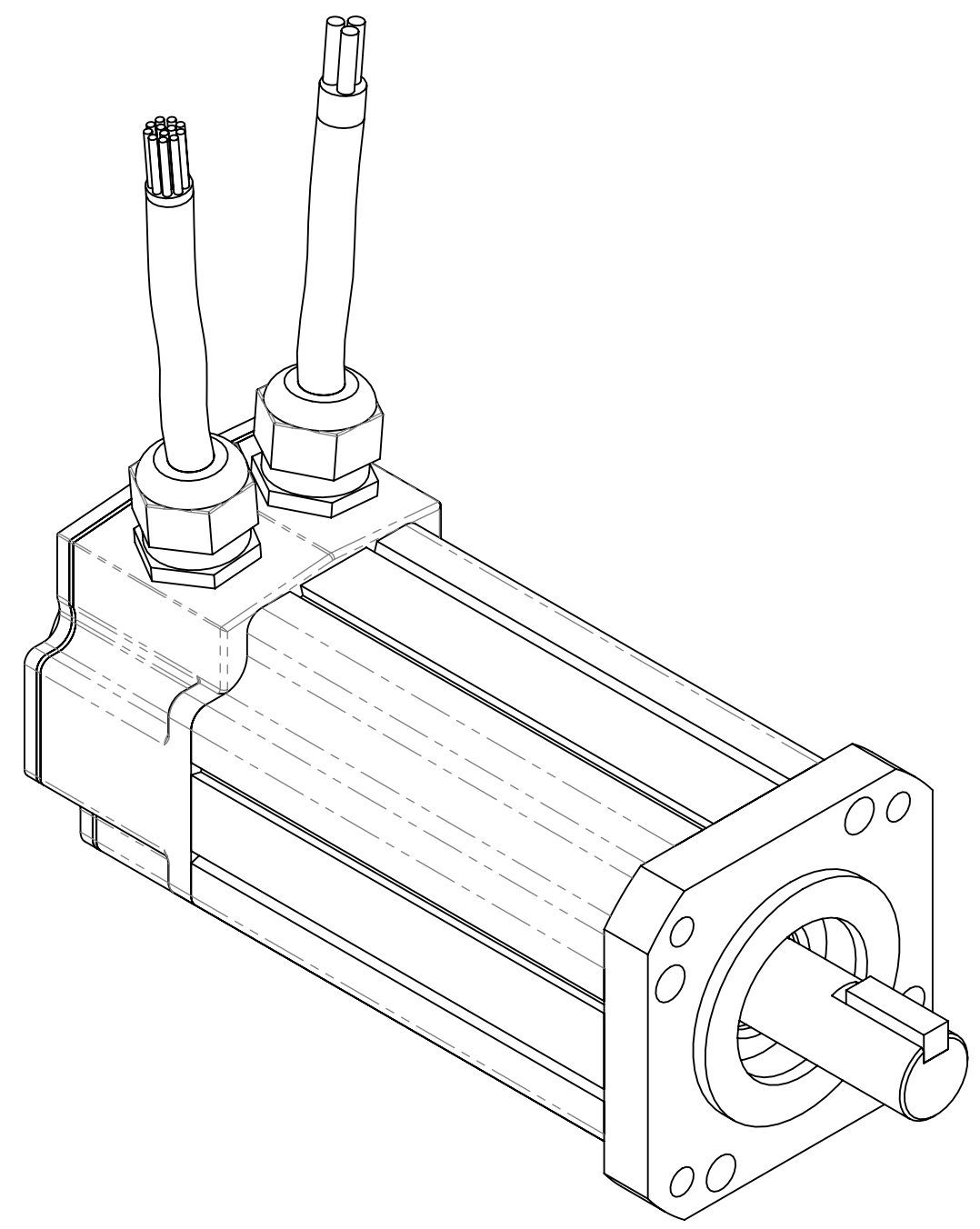
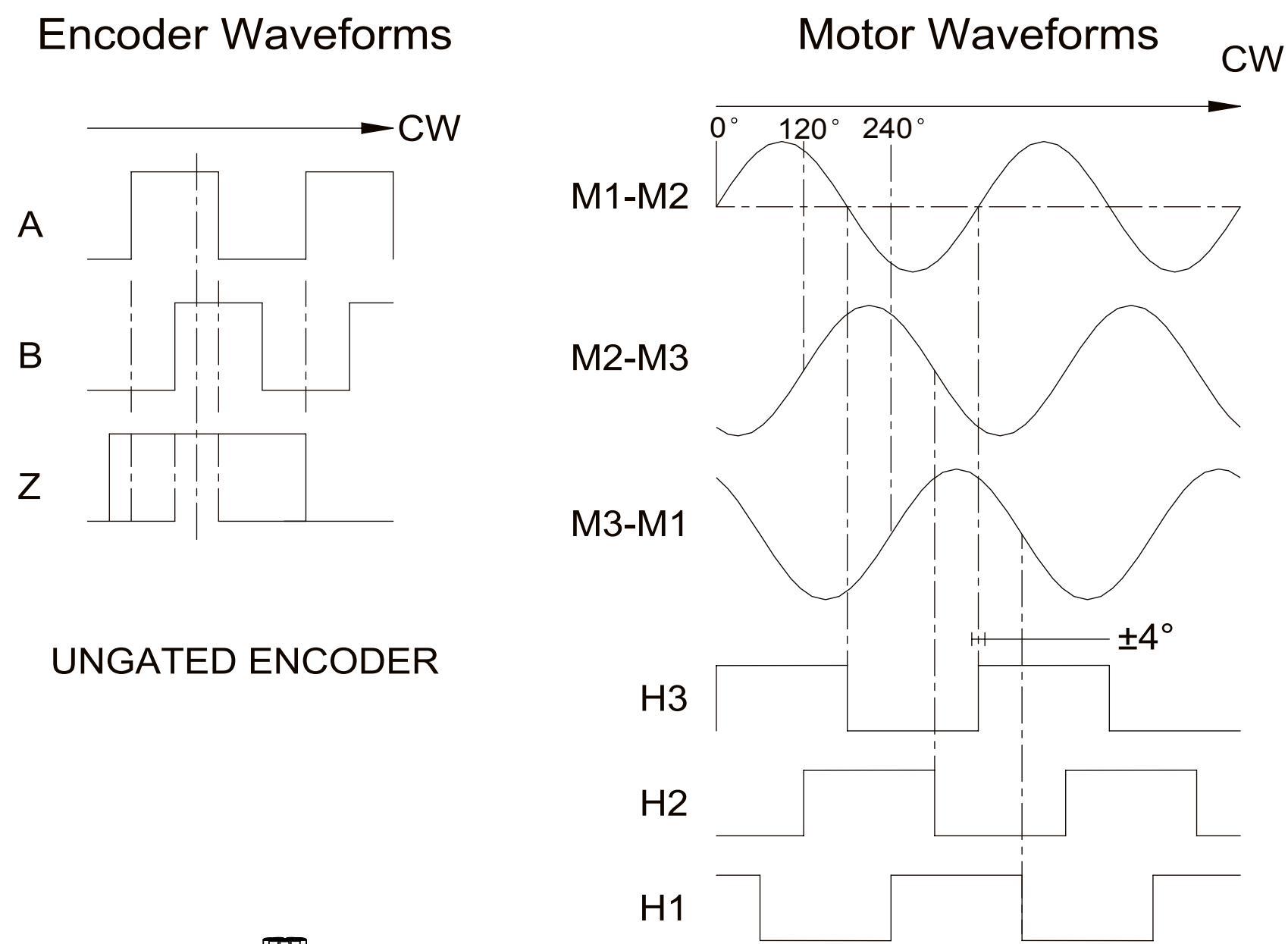


REVISIONS				
REV	ECN	DESCRIPTION	DATE	APP'D
A	DR8001	RELEASED	11/15/05	T.M.
B	ECN2624	ENCODER WIRE CODE CHANGED	1/23/06	T.M.
C	ECN2962	MOTOR WIRE WAS 16, NOW IS 20AWG	12/06/06	J.S.

ENCODER CABLE WIRING CODE		
FROM	WIRE COLOR	WIRE SIZE
OUTPUT A	BROWN	# 28 AWG.
OUTPUT A'	WHITE	# 28 AWG.
OUTPUT B	BLUE	# 28 AWG.
OUTPUT B'	GREEN	# 28 AWG.
OUTPUT Z	ORANGE	# 28 AWG.
OUTPUT Z'	YELLOW	# 28 AWG.
OUTPUT U (H3)	VIOLET	# 28 AWG.
OUTPUT V (H2)	BROWN/WHITE	# 28 AWG.
OUTPUT W (H1)	ORANGE/WHITE	# 28 AWG.
CASE GROUND	BLACK WHITE	# 28 AWG.
CABLE SHIELD	DRAIN	# 28 AWG.
+ 5 VDC	RED	# 28 AWG.
COMMON	BLACK	# 28 AWG.

MOTOR CABLE WIRING CODE		
FROM	WIRE COLOR	WIRE SIZE
MOTOR M1	WHITE	# 20 AWG
MOTOR M3	RED	# 20 AWG
MOTOR M2	BLACK	# 20 AWG
CASE	GREEN	# 20 AWG

Clockwise rotation, viewed from the motor shaft, results in these waveforms.



Model #	Part #	DIM "L"
T0601	33018-013	112
T0602	33018-014	131
T0603	33018-015	150
T0604	33018-016	169

NOTES:
1. ROTATION: CLOCKWISE MOTOR ROTATION VIEWING DRIVE END OCCURS WHEN PHASE A LEADS PHASE B, PHASE B LEADS PHASE C.

NOTICE <small>Information contained herein is the sole property of MTI Torque Systems, Inc. This may not be reproduced, copied, or traced in any manner in part or whole without the written permission by MTI Torque Systems, Inc.</small>	MILLIMETERS (mm) TOLERANCES UNLESS OTHERWISE SPECIFIED X ±0.25 XX ±0.25 XXX ±0.100	APPLICATION	
		NEXT ASSY	USED ON
THIRD ANGLE PROJECTION <small>Deposits in millimeters (mm) and inches (in) are not to be used together. Integrate mm and in per ASME Y14.5M-1994.</small>	MATERIAL: N/A FINISH: N/A	DRAWN: T. MEZHER CHECKED: 10/25/05 APPROVED:	TITLE: OUTLINE 60 mm METRIC W/ENCODER & LEADS SCALE: 1:1
CAGE CODE: 54572 DWG. NO.: 33018-013-016	REV. B	Montevideo Technology, Inc. (MTI) <small>A Motor And Control Company</small> TORQUE SYSTEMS	

CAD FILE: 33018-013-016.SLDDRW SHEET 1 OF 1