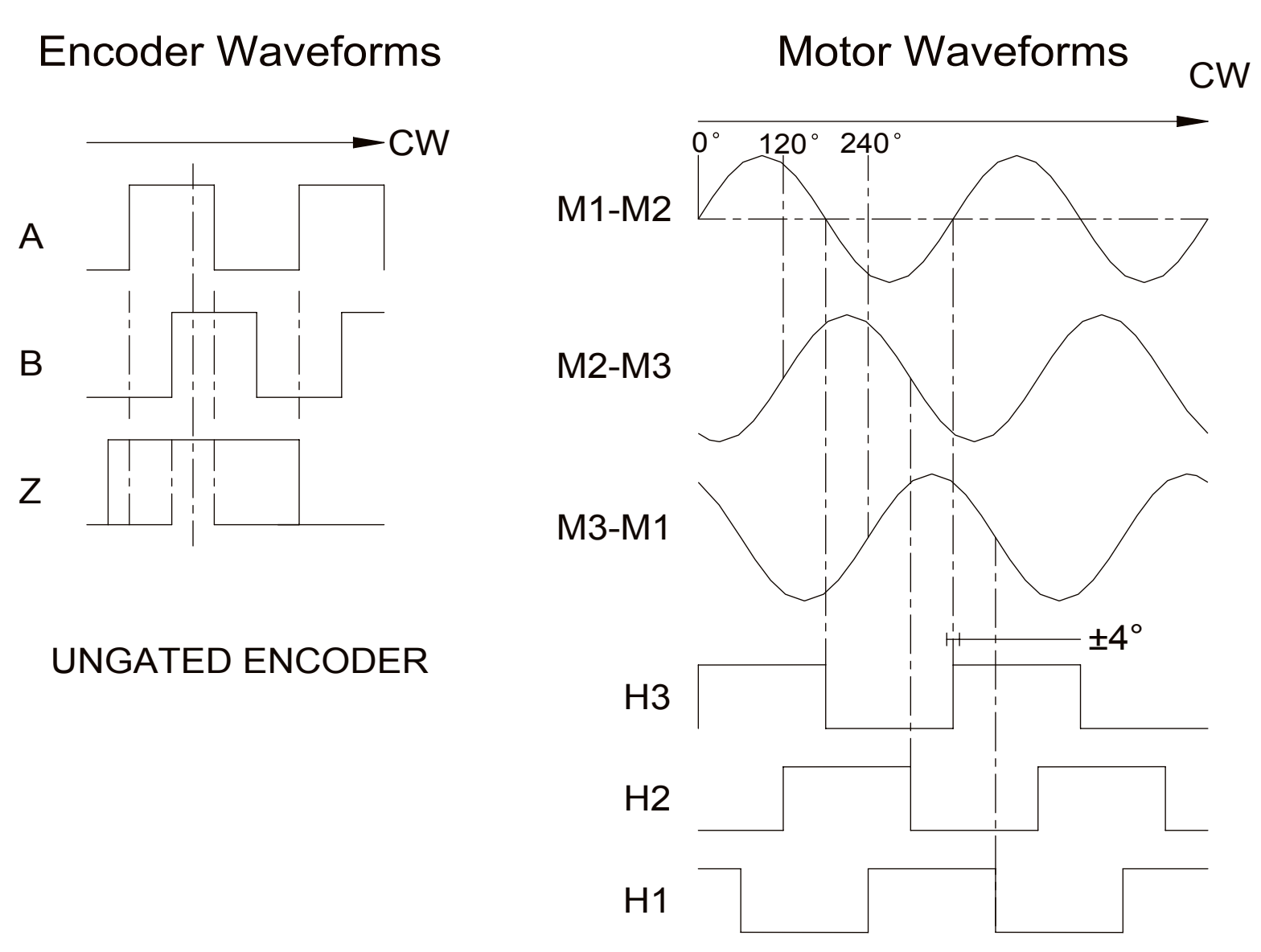


Clockwise rotation, viewed from the motor shaft, results in these waveforms.

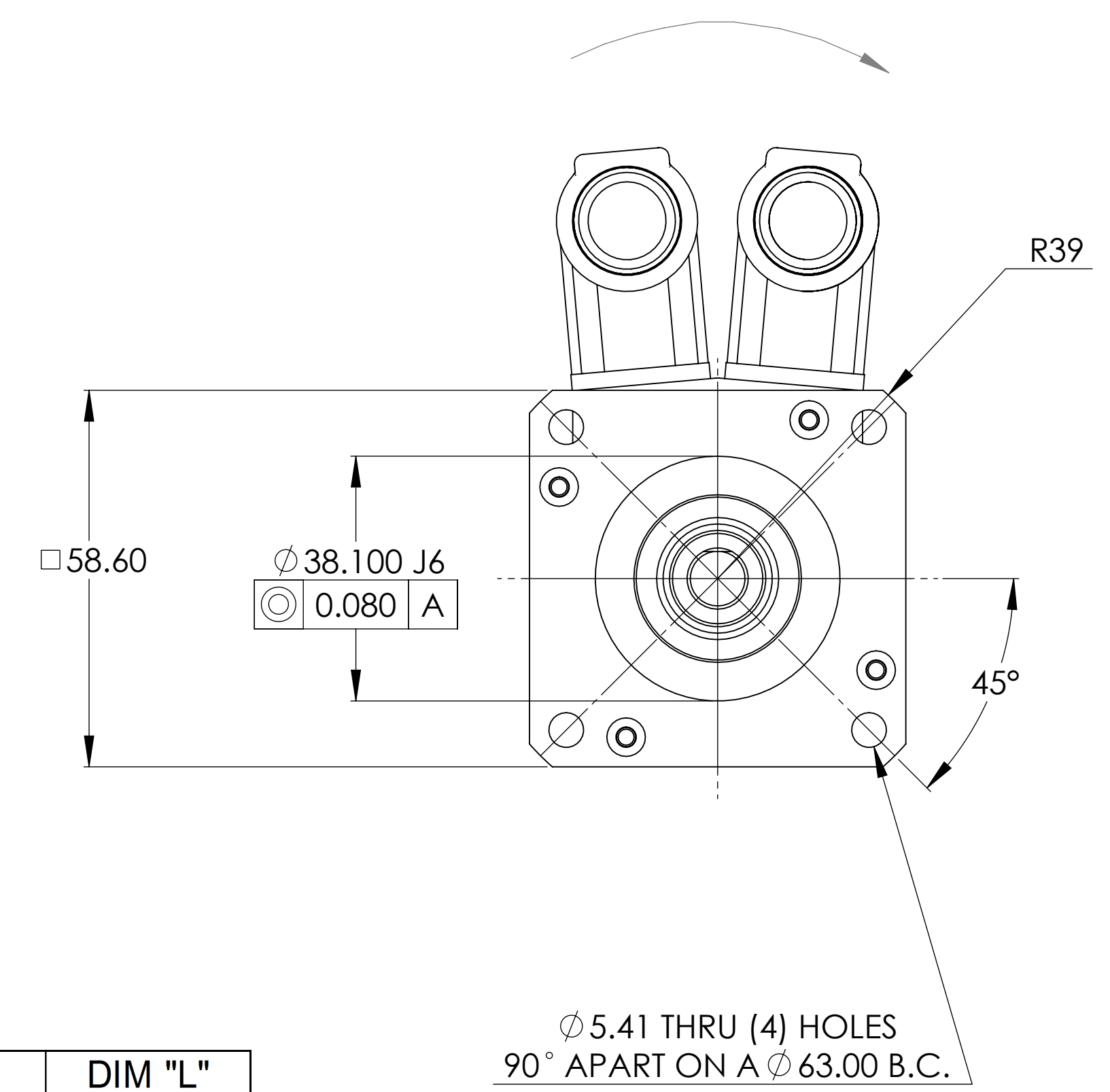
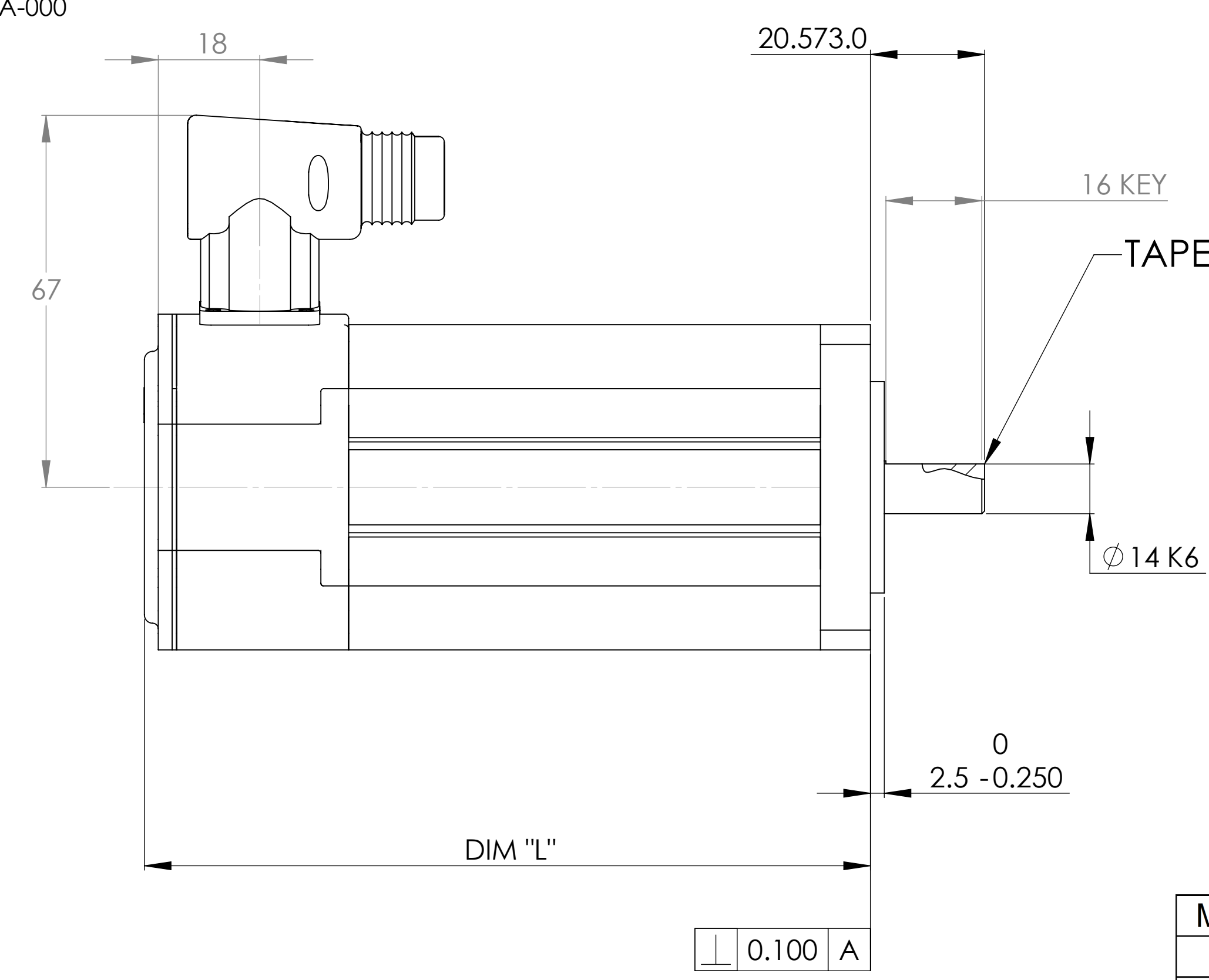
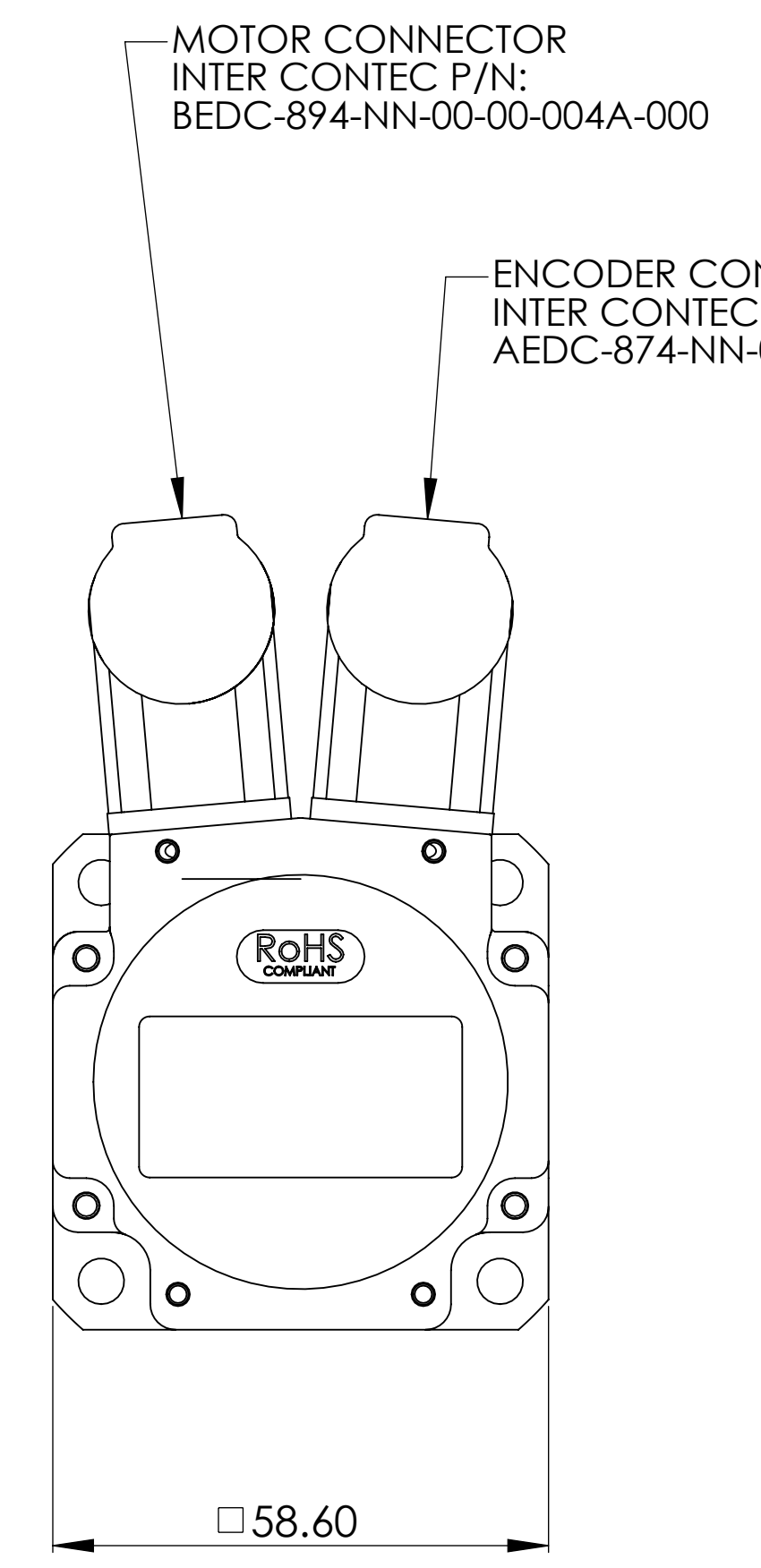


ENCODER CONN WIRING	
FROM	TO PIN
OUTPUT B	1
OUTPUT B'	2
OUTPUT A	3
OUTPUT A'	4
OUTPUT Z	5
OUTPUT Z'	6
COMMON	7
+ 5 VDC	10
CASE GROUND	11
OUTPUT U (H3)	15
OUTPUT V(H2)	16
OUTPUT W(H1)	17

REVISIONS				
REV	ECN	DESCRIPTION	DATE	APP'D
A	DR8043	RELEASED	1/3/06	T.M.
B	ECN2624	ENCODER WIRE CODE CHANGED	1/23/06	T.M.
C	DR8192	CORRECT PWR WIRING; RELEASE 33018-011	6/23/06	T.M.

CONN. PIN WIRING CODE	
FROM	TO PIN
MOTOR M1	1
MOTOR M2	2
MOTOR M3	3
CASE/SHIELD	⏏

ENCODER CABLE SHIELD IS NOT CONNECTED AT MOTOR END



Model #	Part #	DIM "L"
T0601	33018-009	112
T0602	33018-010	131
T0603	33018-011	150
T0604	33018-012	169

NOTES:
1. ROTATION: CLOCKWISE MOTOR ROTATION VIEWING DRIVE END OCCURS WHEN PHASE A LEADS PHASE B, PHASE B LEADS PHASE C.

NOTICE <small>Information contained herein is the sole property of MTI Torque Systems, Inc. This may not be reproduced, copied, or traced in any manner in part or whole without the written permission by MTI Torque Systems, Inc.</small>	MILLIMETERS (mm) TOLERANCES UNLESS OTHERWISE SPECIFIED X ±0.25 XX ±0.25 XXX ±0.100	APPLICATION NEXT ASSY USED ON 60 mm	 Monteideo Technology, Inc. (MTI) <small>A Motor And Control Company</small> TORQUE SYSTEMS
	ANGLES ±0.30 MATERIAL N/A FINISH N/A	DRAWN T. MEZHER 8/9/05 CHECKED F.M.R. 8/12/05 APPROVED	
THIRD ANGLE PROJECTION <small>Third angle projection (first angle drawing) is used unless otherwise specified. Interpret per ASME Y14.5M-1994.</small>	SCALE 1:1	SHEET 1 OF 1	CAD FILE: 33018-009-012.SLDDRW